

S-Beams

620, Stainless Steel Page 330



Ideally suited for harsh environments, lever conversions, hopper/tanks and vibratory feeders, general purpose weighing and force measurement applications. The stainless steel, welded cavity design provides protection against water and corrosive materials. Capacities from 500 to 5000 kg (1102.3 to 11,023.1 lb). Complete with 5m (16.4') of load cell cable.



Available upon request

Single-Ended Beams

3411/3421, Alloy Steel and Stainless steel Page 331



This family of high quality single-ended beams is available in both alloy and stainless steel with NTEP approval. These products are ideal for low profile platforms, pallet truck weighers, tanks and silos. The durable stainless steel product offering is new, and provides a solid choice for more severe weighing applications. Both versions are available in capacities ranging from 1,000 to 10,000 lb. (453.6 to 4535.9 kg). A standard 10' (3m) cable is provided.



Available upon request

3510-lbs, Stainless Steel Page 332



Low profile and all-welded sealing combined with high accuracy makes the 3510 ideally suited for low-profile platforms, weigh modules, tanks and silos. Hermetic sealing and polyurethane shielded cable enable it to function in harsh environments while maintaining its operating specifications. Capacities from 1000 to 4000 lb (453.6 to 1814.4 kg).



3510-kg, Stainless Steel Page 333



The industry's only 6000 division OIML-approved single-ended beam. Low profile and all-welded sealing combined with high accuracy makes the 3510 ideally suited for low-profile platforms, weigh modules, tanks and silos. Hermetic sealing and polyurethane shielded cable enable it to function in harsh environments while maintaining its operating specifications. Capacities from 500 to 5000 kg (1102.3 to 11,023.1 lb).



305, Aluminum Page 334



This unique new bending beam sensor is specially designed for hanging applications. An example of this product's use would be weighing small bags of fluid for the medical industry, but an infinite amount of other industrial applications are also possible. Inexpensive to mount, this sensor is an economical solution to many problems that result in difficulties for standard load cells. Designed for long-term stability and low sensitivity to side-loading, this beam is available in capacities ranging from 5 to 30 kg (11.0 to 66.1 lb). Provided with a standard 1m (3.3') cable.

Single-Ended Beams (Continued)

355, Stainless Steel Page 335



Welded stainless steel construction, welded sealing and polyurethane shielded cable enables the 355 to function in harsh environments while maintaining its operating specifications. Suitable for low-profile platforms, weighing and packing machines, electromechanical conversions and general-purpose weighing applications. Capacities from 5 to 500 kg (11.0 to 1102.3 lb).



Available upon request

Double-Ended Beams

4158, Alloy Steel Page 336



The model 4158 is an alloy steel, environmentally sealed, double-ended beam product that is interchangeable with several other manufacturers' designs. This product features the high quality manufacturing techniques used by Tedea, and is available in capacities ranging from 10,000 to 75,000 lb (4535.9 to 34,019.4 kg). Rugged and reliable, this family of products is NTEP certified from 20,000 to 75,000 lb. Each of these products is available with a 25' (7.6m) cable.



Single Points

1022, Aluminum Page 337



Very low-profile single-point load cell designed for direct mounting in low-cost platforms. Anodized aluminum construction is combined with two-beam machined technology to provide an affordable load cell option. Capacities from 3 to 35 kg (6.6 to 77.1 lb). Complete with 500mm (19.7") of load cell cable.



Available upon request

1010, Aluminum, Potted/Unpotted Page 338



Off-center loading load cell designed for direct mounting of a weighing platform and simplifying construction of platform scales. Long-term stability and durability are maintained. Load cells with potted cavities are available for improved performance in damp environments. Capacities from 3 to 90 kg (6.6 to 196.4 lb).



1030, Aluminum Page 339



This high-performance product is the standard in many of today's postal or price computing scales. This very low profile three-beam designed single point is insensitive to off-center loads, which is a critical element in providing accurate results. The 1030 is also coated with a unique humidity-resistant protective coating to assure long-term stability in harsh environments and extreme temperatures. This model is available in capacities ranging from 3 to 15 kg (6.6 to 33.1 lb), and comes standard with a 1m (3.3') cable.



Single Points

1042, Aluminum Page 340



A lower-profile single-point for platform weighing. This model is constructed of aluminum, and is a two-beam design. This design offers high immunity to side forces, and is specially coated to provide humidity resistance. Capacities from 1 to 100 kg (2.2 to 220.5 lb). Complete with 3.1m (10') of load cell cable.



Available upon request

1040, Aluminum, Potted/Unpotted Page 341



Low-profile, off-center loading load cell. Designed for direct mounting of weighing platforms, hanging scales and other low-capacity beam applications. Long-term stability and durability are maintained. Load cells with potted cavities are available for improved performance in damp environments. Capacities from 5 to 100 kg (11.0 to 220.5 lb).



Available upon request

1130, Stainless Steel Page 342



The Tedea 1130 is a stainless steel single point load cell that is designed for high performance in harsh environments. This product is primarily designed for platform weighing, but is cost-effective to make it an appropriate selection for numerous applications. Capacities range from 7 to 100kg (15.4 to 220.5lb), and each unit is provided complete with 3.3' (1m) of load cell cable.



1140, Stainless Steel, Potted Page 343



Low-profile, off-center loading load cell designed for direct mounting of weighing platforms, hanging scales and other low-capacity beam applications. Stainless steel construction and a unique humidity-resistant protective coating provide long-term stability, even in harsh environments. Load cells with potted cavities are available for improved performance in damp environments. Capacities from 15 to 150 kg (33.1 to 330.7 lb).



1240, Stainless Steel Page 344



The 1240 is a low-profile single point that is compact in design, considering the 200 and 250 kg (440.9 and 551.2 lb) capacity range. This cell is ideally suited for applications in light industrial or people weighing where overall deck height is a concern. The three-beam design makes the load cell less likely to be impacted by side forces and mounting imperfections. It features stainless steel construction and humidity-resistant coating for use in harsh environments with extreme temperatures. Each unit is provided with a standard 1m (3.3') cable.



Single Points (Continued)

1241, Aluminum Page 345



The 1241 combines a low profile, 3-beam off-center design for direct mounting to weighing platforms, hanging scales, and other eccentric loading applications. The load cell features four mounting holes instead of the traditional two, to provide additional loading stability. The 1241 is constructed of aluminum, and sealed using a unique humidity-resistant protective coating to assure durability and long life.



1260, Aluminum Page 346



High-capacity, off-center loading aluminum single-point. This model is of the two-beam design, and is specially coated to assure durability in harsh environments. Capacities from 50 to 635 kg (110.2 to 1399.9 lb). Complete with 3.1m (10') of load cell cable.



Available upon request

1250, Aluminum, Potted Page 347



High-capacity off-center loading load cell accurately weighs loads from 50 to 1000 kg (110.2 to 2205.0 lb). Long-term stability and durability are maintained. Load cells with potted cavities are available for improved performance in damp environments.



Available upon request

1320, Aluminum Page 348



Model 1320 is a high-capacity single-point load cell. Direct mounting of low-profile platforms simplifies the construction of floor scales, weigh bars, hanging scales and other types of weighing devices. Individually adjusted to eliminate corner errors. Capacities from 1000 to 2000 kg (2204.6 to 4409.2 lb).



Available upon request

1510, Stainless Steel Page 349



The 1510 is a stainless steel welded-seal cell ideally suited for washdown applications. Capacities from 100 kg to 500 kg.

Single Points (Continued)

240, Alloy Steel/Stainless Steel, Fluid Damped Page 350



These load cells decrease weighing time and improve weighing accuracy in high-speed weighing applications. Since damping also protects the cells from shock and vibration, the load cell can endure harsh conditions, such as those encountered in repeated shock-loading applications. This also enables damped load cells to last longer than undamped load cells in any application. The cells are sealed, protecting them in washdown situations. Capacities from 2 to 50 kg (4.4 to 110.2 lb).



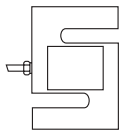
Available upon request

9010, Aluminum, Fluid Damped Page 351



Model 9010 is a self-contained weighing module for use in repeated shock-loading applications, or where fast weighing and settling times are required. Each is custom manufactured per specific application requirements. Capacities from 3 to 50 kg (5.5 to 110.2 lb). See page 352 for Model 9010 Application Definition Form.



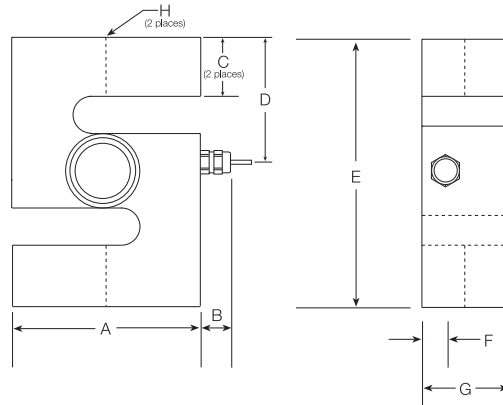


620 S-Beam, Stainless Steel

Welded-seal, IP68, NTEP 1:3000 Single Cell, 1:5000 Multiple Cell, Class III



Available upon request



RATED CAPACITY	DIMENSIONS							
	A	B	C	D	E	F	G	H
kg/millimeters								
500-1000	73.2	18.8	19.8	47.0	94.0	10.9	33.5	1/2-20 UNF
2000	73.2	18.8	19.8	47.0	94.0	10.9	33.5	3/4-16 UNF
5000	104.6	18.8	27.2	62.7	125.5	14.5	47.2	1-12 UNF
lb/inches								
1102.3-2204.6	2.88	.74	.78	1.85	3.70	.43	1.32	1/2-20 UNF
4409.2	2.88	.74	.78	1.85	3.70	.43	1.32	3/4-16 UNF
11,023.1	4.12	.74	1.07	2.47	4.94	.57	1.86	1-12 UNF

SPECIFICATIONS:

Full Scale Output: 2.0 mV/V
 Bridge Resistance: 350 ohms, nominal
 Material/Finish: Stainless steel
 Temperature: Compensated range
 14°F to 104°F/-10°C to 40°C
 Manufacturer
 Model Number: 0620-XXXX001
 Safe Overload: 150% Full scale
 Rated Excitation: 10V AC/DC (15V maximum)
 Total Error: 0.02% Full scale

Insulation Resistance: 1000 megohms
 Seal Type: Welded-seal, IP68
 Cable Length: 5m/16.4'
 Cable Color Code: Blue + Excitation
 Black - Excitation
 Green ... + Sense
 Gray - Sense
 White + Signal
 Red - Signal
 Warranty: 2 years

620 ORDER INFORMATION

Load Rating	Part #	Suggested List Price
500 kg (1102.3 lb)	36389	0
1000 kg (2204.6 lb)	36390	
2000 kg (4409.2 lb)	36391	
5000 kg (11,023.1 lb)	36392	

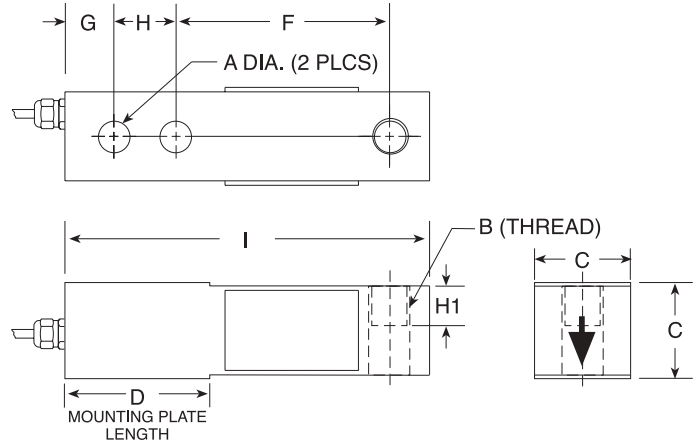
WEIGH MODULE AVAILABLE

Model	Page #
ITCM Isolated Tension Cell Mount	360



3411/3421 Single-Ended Beam, Alloy & Stainless Steel

NTEP 1:3000 Single Cell, 1:5000, Multiple Cell, Class III, IP67



Available upon request

RATED CAPACITY	DIMENSIONS									
	A	B	C	D	F	G	H	H1	I	
lb/inches										
1000-4000	.53	1/2-20 UNF	1.24	2.25	3.00	.63	1.00	.60	5.12	
5000-10,000	.78	3/4-16 UNF-2B	1.49	3.00	3.75	.75	1.50	.75	6.75	
kg/millimeters										
453.6-1814.4	13.5	1/2-20 UNF	30.5	33.9	76.2	16.0	25.4	15.2	130.0	
2268.0-4535.9	19.8	3/4-16 UNF-2B	37.8	76.2	95.3	19.1	35.6	19.1	171.5	

SPECIFICATIONS:

Full Scale Output: 3.0 mV/V
Bridge Resistance: 350 ohms, nominal
Material/Finish: High-alloy steel, nickel plated
Temperature: Compensated range 14°F to 104°F/-10°C to 40°C
Manufacturer Model Number: 3421-XXXX001 (Alloy, 5k-10k lbs)
 3421-XXXX051 (Stainless Steel, 5k-10k lbs)
Safe Overload: 150% Full scale
Rated Excitation: 10V AC/DC (15V maximum)
Total Error: 0.03% Full scale

Insulation Resistance: 5000 megohms
Deflection at Capacity: 1000-10,000 lb = .015"/.4mm
Seal Type: Environmentally-sealed, IP67
Cable Length: 10'/3.1m
Cable Color Code: Red + Excitation
 Black - Excitation
 Blue + Sense
 Brown - Sense
 Green + Signal
 White - Signal
Warranty: 2 years

3411/3421 ORDER INFORMATION

Load Rating	Part #	Suggested List Price
Alloy Steel		
1000 lb (453.6 kg)	29903	
2500 lb (1134.0 kg)	29904	
4000 lb (1814.4 kg)	29905	
5000 lb (2268.0 kg)	29906	
10,000 lb (4535.9 kg)	29907	
Stainless Steel		
1000 lb (453.6 kg)	47871	
2500 lb (1134.0 kg)	47872	
4000 lb (1814.4 kg)	47873	
5000 lb (2268.0 kg)	47874	
10,000 lb (4535.9 kg)	47875	

INTERCHANGEABLE PRODUCTS

Manufacturer	Model
Rice Lake Weighing Systems	(see page 107) RL30000
Revere Transducers	(see page 258) 5123
Rice Lake Weighing Systems	(see page 109) RL39123*
Revere Transducers	(see page 259) 9123*

WEIGH MODULE AVAILABLE

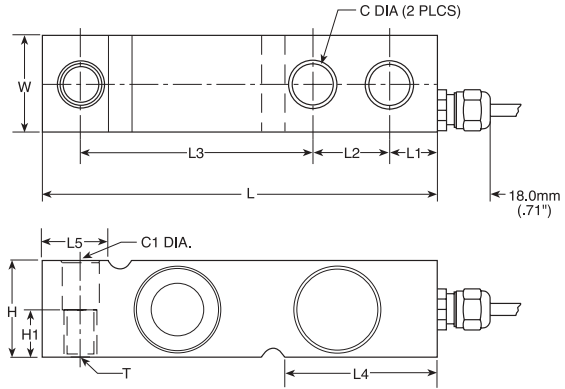
Model	Page #
RL50210 TA	31
RL1800 Series	41

* Stainless steel



3510-lbs Single-Ended Beam, Stainless Steel

Welded-seal*, IP68, NTEP 1:3000 Single Cell, 1:5000 Multiple Cell, Class III



RATED CAPACITY	DIMENSIONS											
	C	C1	H	H1	L	L1	L2	L3	L4	L5	T	W
lbs/inches 1000-4000	.53	.53	1.26	.63	5.12	.62	1.00	3.00	1.97	.91	1/2-20UNF-2B	1.26
kg/millimeters 453.6-1814.4	13.5	13.5	32.0	16.0	130.0	15.8	25.4	76.2	50.0	23.1	1/2-20UNF-2B	32.0

SPECIFICATIONS:

Full Scale Output: 3.0 mV/V
 Bridge Resistance: 350 ohms, nominal
 Material/Finish: Stainless steel
 Temperature: Compensated range 14°F to 104°F/-10°C to 40°C
 Manufacturer Model Number: 3510-XXXX101
 Safe Overload: 150% Full scale
 Rated Excitation: 10V AC/DC (15V maximum)
 Total Error: 0.02% Applied load

Insulation Resistance: 1000 megohms
 Deflection at Capacity: 1000-4000 lb ≤ .4mm/.015"
 Seal Type: Welded-seal*, IP68
 Cable Length: 5m/16.4'
 Cable Color Code:
 Red + Excitation
 Black - Excitation
 Blue + Sense
 Brown ... - Sense
 Green + Signal
 White - Signal
 Warranty: 2 years

3510-lbs ORDER INFORMATION

Load Rating	Part #	Suggested List Price
1000 lb (453.6 kg)	36458	
1500 lb (680.4 kg)	36459	
2500 lb (1134.0 kg)	36460	
4000 lb (1814.4 kg)	36461	

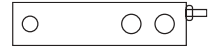
INTERCHANGEABLE PRODUCTS

Manufacturer	Model
Sensortronics	(see page 302) 65083

WEIGH MODULE AVAILABLE

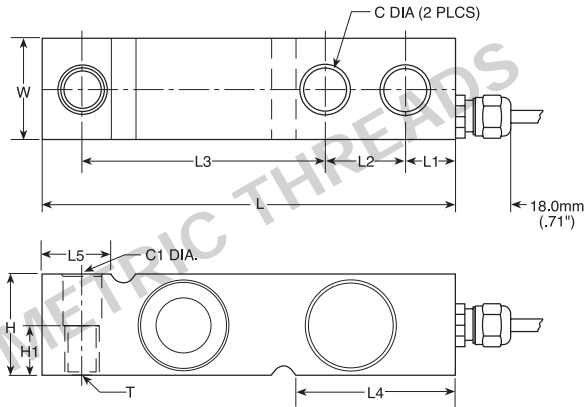
Model	Page #
1700HE	17

* Conduit is recommended for maximum protection against the ingress of water and moisture through the cable entry.



3510-kg Single-Ended Beam, Stainless Steel

Welded-seal, IP68, OIML C6/C3



RATED CAPACITY	DIMENSIONS											
	C	C1	H	H1	L	L1	L2	L3	L4	L5	T	W
kg/millimeters												
500-2000	13.5	13.5	32.0	16.0	130.0	15.8	25.4	76.2	50.5	23.5	M12 x 1.75 Thrd.	32.0
5000	20.5	20.5	48.0	—	171.5	19.0	38.1	95.3	70.0	37.0	—	36.5
lb/inches												
1102.3-4409.2	.53	.53	1.26	.63	5.12	.62	1.00	3.00	1.99	.93	M12 X 1.75 Thrd.	1.26
11,023.1	.80	.80	1.89	—	6.75	.75	1.50	3.75	2.76	1.46	—	1.44

SPECIFICATIONS:

Full Scale Output: 2.0 mV/V
 Bridge Resistance: 350 ohms, nominal
 Material/Finish: Stainless steel
 Temperature: Compensated range 14°F to 104°F/-10°C to 40°C
 Manufacturer Model Number: 3510-XXXX101
 Safe Overload: 150% Full scale
 Rated Excitation: 10V AC/DC (15V maximum)
 Total Error: 0.02% Applied load

Insulation Resistance: 1000 megohms
 Deflection at Capacity: 500-5000 kg ≤ .4mm/.015"
 Seal Type: Welded-seal*, IP68
 Cable Length: 5m/16.4'
 Cable Color Code:
 Blue + Excitation
 Black - Excitation
 Green + Sense
 Grey - Sense
 White + Signal
 Red - Signal
 Warranty: 2 years

3510-kg ORDER INFORMATION

Load Rating	Part #	Suggested List Price
C6 500 kg (1102.3 lb)	30161	
C6 1000 kg (2204.6 lb)	30162	
C3 2000 kg (4409.2 lb)	30163	
C3 5000 kg (11,023.1 lb)	30164	

INTERCHANGEABLE PRODUCTS

Manufacturer	Model
Rice Lake Weighing Systems	(see page 119) RLHTO

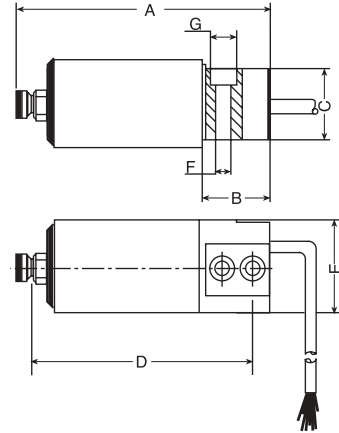
WEIGH MODULE AVAILABLE

Model	Page #
1700HE	17

* Conduit is recommended for maximum protection against the ingress of water and moisture through the cable entry.



305 Single-Ended Beam, Aluminum with Stainless Steel Cover



RATED CAPACITY	DIMENSIONS						
	A	B	C	D	E	F	G
kg/millimeters 5-30	94.5	26.0	26.0	84.5	31.0	5.2	9.0
lb/inches 11-66.2	3.72	1.02	1.02	3.32	1.22	.20	.35

SPECIFICATIONS:

Full Scale Output:	2.0 mV/V	Deflection at Capacity:	5-30 kg = .015"/.4mm
Bridge Resistance:	350 ohms, nominal	Seal Type:	Environmentally-sealed
Material/Finish:	Aluminum, with stainless cover	Cable Length:	1m/3.3'
Temperature:	Compensated range 0°F to 150°F/-18°C to 65°C	Cable Coloring:	Green ... + Excitation Black - Excitation Blue + Sense Brown ... - Sense Red + Signal White - Signal
Manufacturer		Warranty:	2 years
Model Number:	0305-XXXX201		
Safe Overload:	150% Full scale		
Rated Excitation:	10V AC/DC (20V maximum)		
Total Error:	0.02% Full scale		
Insulation Resistance:	5000 ohms		

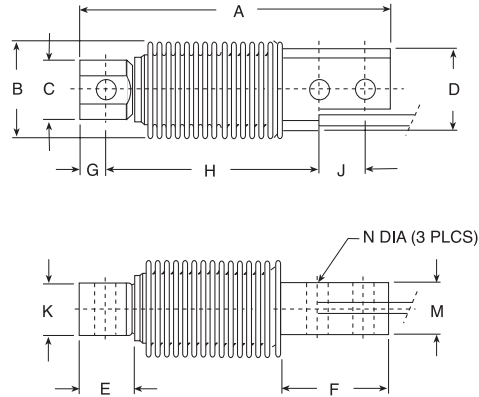
305 ORDER INFORMATION

Load Rating	Part #	Suggested List Price
5 kg (11 lb)	47887	
7 kg (15.4 lb)	47888	
10 kg (22.1 lb)	47889	
15 kg (33.1 lb)	47890	
20 kg (44.1 lb)	47891	
30 kg (66.2 lb)	47892	



355 Single-Ended Beam, Stainless Steel

Welded-seal, IP68, NTEP 1:4000 Single Cell, 1:5000, Multiple Cell, Class III



Available upon request

RATED CAPACITY	DIMENSIONS												
	A	B	C	D	E	F	G	H	J	K	M	N	
kg/millimeters													
5-500	120.0	40.0	23.0	32.0	20.5	45.5	10.0	82.0	18.0	20.0	20.0	8.20	
lb/inches													
11.0-1102.3	4.72	1.61	.91	1.26	.81	1.79	.39	3.23	.71	.79	.79	.32	

SPECIFICATIONS:

Full Scale Output: 2.0 mV/V
 Bridge Resistance: 350 ohms, nominal
 Material/Finish: Stainless steel
 Temperature: Compensated range
 14°F to 104°F/-10°C to 40° C
 Manufacturer: Model Number: 0355-XXXX001
 Safe Overload: 150% Full scale
 Rated Excitation: 10V AC/DC (15V maximum)
 Total Error: 0.02% Full scale

Insulation Resistance: 1000 megohms
 Deflection at Capacity: 5-250 kg ≤ .4mm/.015"
 Seal Type: Welded-seal, IP68
 Cable Length: 3m/10'
 Cable Color Code:
 Blue + Excitation
 Black - Excitation
 White + Signal
 Red - Signal
 Green + Sense
 Gray - Sense
 Warranty: 2 years

355 ORDER INFORMATION

Load Rating	Part #	Suggested List Price
5 kg (11.0 lb)	30165	
10 kg (22.0 lb)	30166	
20 kg (44.1 lb)	30167	
50 kg (110.2 lb)	30168	
100 kg (220.5 lb)	30169	
200 kg (440.9 lb)	30170	
250 kg (551.2 lb)	30171	
500 kg (1102.3 lb)	36463	

INTERCHANGEABLE PRODUCTS

Manufacturer	Model
Rice Lake Weighing Systems	(see page 128) RLHBB
Revere Transducers	(see page 264) SHB
Celltron	(see page 193) HBB
HBM	(see page 236) Z6

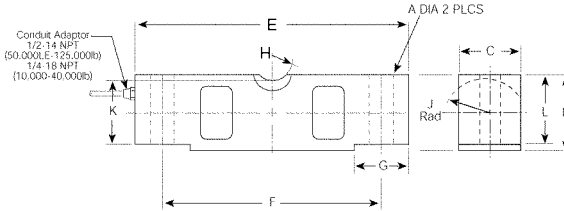
WEIGH MODULE AVAILABLE

Model	Page #
1700HE	17



4158 Double-Ended Beam, Alloy Steel

NTEP 1:10,000 Class III L Multiple Cell



RATED CAPACITY

	DIMENSIONS									
	A	C	D	E	F	G	H	J	K	L
lb/inches										
20,000-25,000	.68	1.69	1.94	7.75	6.50	1.38	.75	.90	1.63	1.70
40,000	.81	1.94	2.44	10.25	8.50	1.93	1.00	1.12	2.00	2.10
50,000LE-75,000	1.06	2.44	2.94	10.25	8.50	1.93	1.00	1.37	2.54	2.65
100,000-125,000	1.62	2.90	3.86	15.25	12.75	3.13	1.50	1.80	3.30	3.43
kg/millimeters										
9071.9-11,339.8	17.3	42.9	49.3	196.9	165.1	35.1	19.1	22.9	41.4	43.2
18,143.7	20.6	49.3	62.0	260.4	215.9	49.0	25.4	28.5	50.8	53.3
22,679.6LE-34,019.4	26.9	62.0	74.7	260.4	215.9	49.0	25.4	34.8	64.5	67.3
45,359.4-56,699.1	41.2	737	980	387.4	323.9	79.5	38.1	45.7	83.8	87.1

SPECIFICATIONS:

Full Scale Output:	3.0 mV/V	Hysteresis:	0.02% Full scale
Bridge Resistance:	700 ohms, nominal	Insulation Resistance:	5000 megohms
Material/Finish:	High-alloy steel, nickel plated	Seal Type:	Environmentally-sealed
Temperature:	Compensated range 14°F to 104°F/-10°C to 40°C	Cable Length:	25'/7.6m
Manufacturer		Cable Coloring:	Red + Excitation Black - Excitation Green ... + Signal White - Signal
Model Number:	4158-XXXX001	Warranty:	2 years
Safe Overload:	150% Full scale		
Rated Excitation:	10V DC (25V maximum)		
Nonlinearity:	0.03% Full scale		

4158 ORDER INFORMATION

Load Rating	Part #	Suggested List Price
NTEP 1:10,000		
20,000 lb (9071.9 kg)	47862	
25,000 lb (11,339.8 kg)	47863	
40,000 lb (18,143.7 kg)	47864	
50,000 lb (22,679.6 kg)	47865	
60,000 lb (27,215.5 kg)	47866	
75,000 lb (34,019.4 kg)	47867	

Non-NTEP		
10,000 lb (4536.0 kg)	47861	

INTERCHANGEABLE PRODUCTS

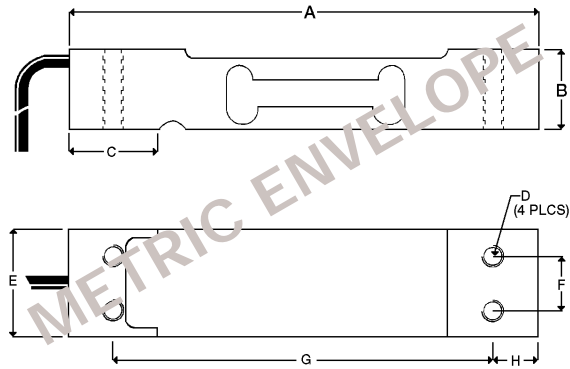
Manufacturer	Model
Rice Lake Weighing Systems	(see page 142) RL75058
Sensortronics	(see page 320) 65058
Celtron	(see page 196) CLB



1022 Single Point, Aluminum NTEP 1:5000 Class III Single Cell



Available upon request



RATED CAPACITY	DIMENSIONS							
	A	B	C	D	E	F	G	H
kg/millimeters								
3-7	130.0	22.0	25.0	M6 x 1.0	25.4	15.0	106.0	12.0
10-30	130.0	22.0	25.0	M6 x 1.0	30.0	15.0	106.0	12.0
35	130.0	22.0	25.0	M6 x 1.0	40.0	15.0	106.0	12.0
lb/inches								
6.6-15.4	5.12	.87	.99	M6 x 1.0	1.00	.59	4.17	.47
22.0-66.2	5.12	.87	.99	M6 x 1.0	1.18	.59	4.17	.47
77.2	5.12	.87	.99	M6 x 1.0	1.57	.59	4.17	.47

SPECIFICATIONS:

Full Scale Output: 2.0 mV/V
 Bridge Resistance: 350 ohms, nominal
 Material/Finish: Anodized aluminum
 Temperature: Compensated temperature range
 14°F to 104°F/-10°C to 40°C
 Manufacturer
 Model Number: 1022-XXXX001
 Safe Overload: 150% Full scale
 Rated Excitation: 10V DC (15V maximum)
 Total Error: 0.02% Full scale

Insulation Resistance: 2000 megohms
 Seal Type: Environmentally-sealed
 Cable Length: 0.5m/1.5'
 Cable Color Code:
 Green + Excitation
 Black - Excitation
 Blue + Sense
 Brown ... - Sense
 Red + Signal
 White - Signal
 Warranty: 2 years

1022 ORDER INFORMATION

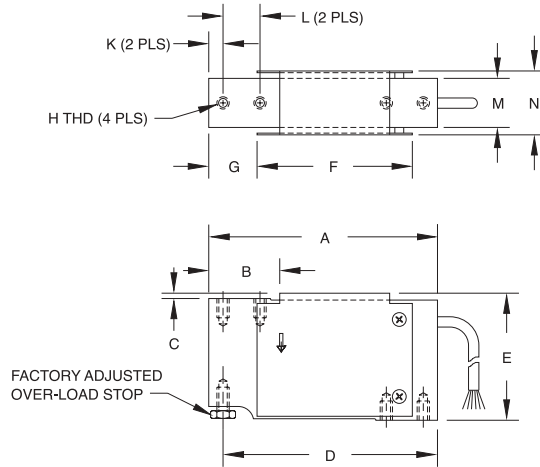
Load Rating	Part #	Suggested List Price
3 kg (6.6 lb)	41135	
5 kg (11.0 lb)	41136	
7 kg (15.4 lb)	41137	
10 kg (22.0 lb)	41138	
15 kg (33.1 lb)	41139	
20 kg (44.1 lb)	41140	
30 kg (66.1 lb)	41141	
35 kg (77.2 lb)	41142	

INTERCHANGEABLE PRODUCTS

Manufacturer	Model
Rice Lake Weighing Systems	(see page 150) RL1521A
Celtron	(see page 199) LPS
BLH	C2G1
Fairbanks	4900 Series Checkweigher
NMB	C2G1



1010 Potted & Unpotted Single Point, Aluminum NTEP 1:5000 Class III Single Cell



RATED CAPACITY	DIMENSIONS												
	A	B	C	D	E	F	G	H	K	L	M	N	
kg/millimeters													
3-90	118.0	34.0	3.0	110.5	66.0	80.0	25.0	1/4-20 UNC X 13 DP	7.5	19.05	25.4	33.5	
lb/inches													
6.6-198.4	4.65	1.34	.12	4.35	2.60	3.15	.98	1/4-20 UNC X 0.5 DP	.30	.75	1.00	1.32	

SPECIFICATIONS:

Full Scale Output: 2.0 mV/V
Bridge Resistance: 350 ohms, nominal
Material/Finish: Aluminum
Temperature: Compensated range 14°F to 104°F/-10°C to 40°C
Manufacturer Model Number: 1010-XXXX001 (NTEP)
 1010-XXXX201 (Non-NTEP)
Safe Overload: 200% at center of loading point, full scale
Rated Excitation: 10V AC/DC (20V maximum)
Total Error: 0.02% Full scale

Insulation Resistance: 5000 megohms
Deflection at Capacity: 3-90 kg \leq .4 mm/.015"
Seal Type: Potted & Unpotted Models
Cable Length: Potted cells: 10'/3.1 m
 Unpotted cells: 10'/3.1 m
Cable Color Code: Green + Excitation
 Black - Excitation
 Blue + Sense
 Brown ... - Sense
 Red + Signal
 White - Signal
Warranty: 2 years

1010 POTTED ORDER INFORMATION

Load Rating	Part #	Suggested List Price
Potted, NTEP 1:5000		
10 kg (22.1 lb)	33727	
15 kg (33.1 lb)	33728	
20 kg (44.1 lb)	33729	
30 kg (66.1 lb)	33730	
50 kg (110.2 lb)	33731	
Potted, Non-NTEP		
3 kg (6.6 lb)	17481	
5 kg (11.0 lb)	17462	
7 kg (15.4 lb)	17463	
10 kg (22.1 lb)	17464	
15 kg (33.1 lb)	17465	
20 kg (44.1 lb)	17482	
30 kg (66.1 lb)	17475	
50 kg (110.2 lb)	17476	
90 kg (198.4 lb)	17471	

1010 UNPOTTED ORDER INFORMATION

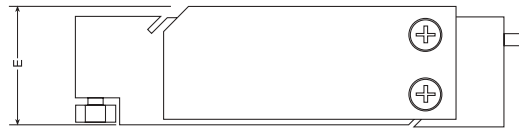
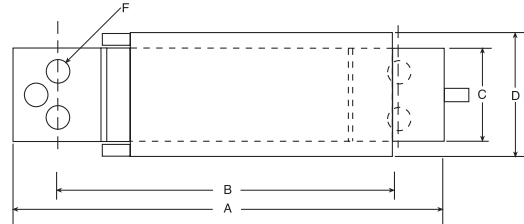
Load Rating	Part #	Suggested List Price
Unpotted, NTEP 1:5000		
5 kg (11.0 lb)	33732	\$180.00
7 kg (15.4 lb)	33733	\$180.00

INTERCHANGEABLE PRODUCTS

Manufacturer	Model
Rice Lake Weighing Systems	(see page 151) RL1010
HBM	(see page 244) SP10



1030 Single Point, Aluminum OIML C2.5



RATED CAPACITY

kg/millimeters
3-15

A
117.9

B
93.7

C
25.4

DIMENSIONS

D
33.3

E
32.5

F
1/4-20 UNC X 10 DP

lb/inches
6.6-33.1

4.64

3.69

1.00

1.31

1.28

1/4-20 UNC X 0.39 DP

SPECIFICATIONS:

Full Scale Output: 2.0 mV/V
 Bridge Resistance: 350 ohms, nominal
 Material/Finish: Anodized aluminum
 Temperature: Compensated range
 0°F to 150°F/-18°C to 65°C
 Manufacturer Model Number: 1030-XXXX101
 Safe Overload: 150% Full scale
 Rated Excitation: 10V DC/AC (20V maximum)
 Total Error: 0.02%

Insulation Resistance: 5000 megohms
 Deflection at Capacity: 3-15 kg = .015"/.4mm
 Seal Type: Environmentally-sealed
 Cable Length: 1m/3.3'
 Cable Color Code:
 Green + Excitation
 Black - Excitation
 Blue + Sense
 Brown ... - Sense
 Red + Signal
 White - Signal
 Warranty: 1 year

1030 ORDER INFORMATION

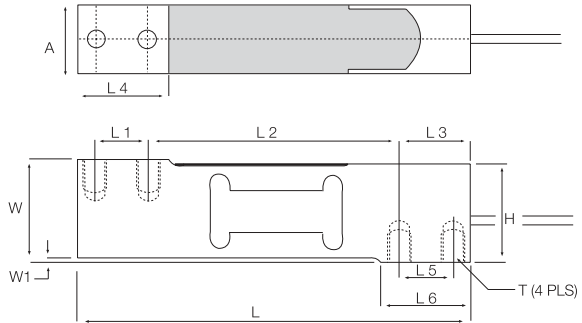
Load Rating	Part #	Suggested List Price
3 kg (6.6 lb)	47882	
5 kg (11.0 lb)	47883	
7 kg (15.4 lb)	47884	
10 kg (22.1 lb)	47885	
15 kg (33.1 lb)	47886	



1042 Single Point, Aluminum NTEP 1:5000 Class III Single Cell



Available upon request



RATED CAPACITY	DIMENSIONS											
	A	H	L	L1	L2	L3	L4	L5	L6	W	W1	T
kg/millimeters												
1-30	20.0	37.9	150.0	19.0	100.0	25.0	34.0	19.0	34.0	40.0	1.0	1/4-20 UNC-2B
50-100	25.2	37.9	150.0	19.0	100.0	25.0	34.0	19.0	34.0	40.0	1.0	1/4-20 UNC-2B
lb/inches												
2.2-66.1	.787	1.496	5.91	.75	3.937	.984	1.339	.75	1.339	1.575	.040	1/4-20 UNC-2B
110.2-220.5	.992	1.496	5.91	.75	3.937	.984	1.339	.75	1.339	1.575	.040	1/4-20 UNC-2B

SPECIFICATIONS:

Full Scale Output:	2.0 mV/V	Deflection at Capacity:	1-100kg ≤ .4mm/.015"
Bridge Resistance:	350 ohms, nominal	Insulation Resistance:	5000 megohms
Material/Finish:	Aluminum	Seal Type:	Environmentally-sealed
Temperature:	Compensated temperature range 14°F to 104°F/-10°C to 40°C	Cable Length:	3.1m/10'
Manufacturer:		Cable Color Code:	Green + Excitation Black - Excitation Blue + Sense Brown - Sense Red + Signal White - Signal
Model Number:	1042-XXXX001	Warranty:	2 years
Safe Overload:	150% Full scale		
Rated Excitation:	10V DC (15V maximum)		
Total Error:	0.02% Full scale		

1042 ORDER INFORMATION

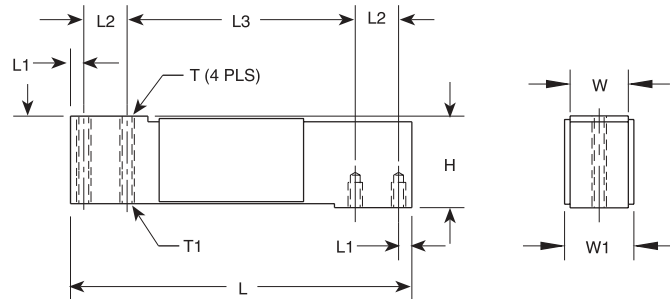
Load Rating	Part #	Suggested List Price
1 kg (2.2 lb)	40680	
3 kg (6.6 lb)	40681	
5 kg (11.0 lb)	40682	
10 kg (22.0 lb)	40683	
15 kg (33.1 lb)	40684	
20 kg (44.1 lb)	40685	
30 kg (66.1 lb)	40686	
50 kg (110.2 lb)	40687	
75 kg (165.4 lb)	40688	
100 kg (220.5 lb)	40689	

INTERCHANGEABLE PRODUCTS

Manufacturer	Model
Rice Lake Weighing Systems	(see page 154) RL1042



1040 Potted & Unpotted Single Point, Aluminum NTEP 1:5000 Class III Single Cell



Available upon request

RATED CAPACITY	H	L	L1	L2	L3	DIMENSIONS		W	W1
						T	T1		
kg/millimeters 5-100	40.0	150.0	5.95	19.05	100.0	1/4-20 UNC X 10 DP	1/4-28 UNF X 10 DP	25.4	29.4
lb/inches 11.0-220.5	1.57	5.91	.23	.75	3.94	1/4-20 UNC X 0.39 DP	1/4-28 UNF X 0.39 DP	1.00	1.16

SPECIFICATIONS:

Full Scale Output: 2.0 mV/V
 Bridge Resistance: 350 ohms, nominal
 Material/Finish: Anodized aluminum
 Temperature: Compensated range 14°F to 104°F/-10°C to 40°C
 Manufacturer Model Number: 1040-XXXX001 (NTEP)
 1040-XXXX201 (Non-NTEP)
 Safe Overload: 200% at center loading point, full scale
 Rated Excitation: 10V AC/DC (15V maximum)
 Total Error: 0.02% Full scale

Insulation Resistance: 5000 megohms
 Deflection at Capacity: 5-100 kg ≤ .4mm/.015"
 Seal Type: Potted & Unpotted Models
 Cable Length: Potted cells: 10'/3.1m
 Unpotted cells: 10'/3.1m
 Cable Color Code: Green + Excitation
 Black - Excitation
 Blue + Sense
 Brown ... - Sense
 Red + Signal
 White - Signal
 Warranty: 2 years

1040 POTTED ORDER INFORMATION

Load Rating	Part #	Suggested List Price
Potted, NTEP 1:5000		
10 kg (22.1 lb)	33719	
15 kg (33.1 lb)	33720	
20 kg (44.1 lb)	33721	
30 kg (66.1 lb)	33722	
50 kg (110.2 lb)	33723	
100 kg (220.5 lb)	33724	

Load Rating	Part #	Suggested List Price
Potted, Non-NTEP		
5 kg (11.0 lb)	17449	
7 kg (15.4 lb)	17483	

1040 UNPOTTED ORDER INFORMATION

Load Rating	Part #	Suggested List Price
Unpotted, NTEP 1:5000		
5 kg (11.0 lb)	33725	\$205.00
7 kg (15.4 lb)	33726	\$205.00

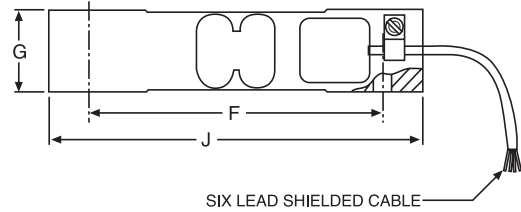
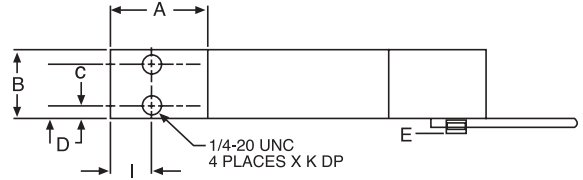
INTERCHANGEABLE PRODUCTS

Manufacturer	Model
Rice Lake Weighing Systems	(see page 155) RL1040
Celtron	(see page 200) LOC

Consult factory for matched-output cells



1130 Single Point, Stainless Steel



RATED CAPACITY	DIMENSIONS									
	A	B	C	D	E	F	G	I	J	H
kg/millimeters 7.5-100	35.0	25.0	15.0	5.0	6.5	10.6	30	14.5	135	10
lb/inches 16.6-220.5	1.378	.98	.591	.19	.26	4.173	1.18	.571	5.31	.39

SPECIFICATIONS:

Full Scale Output:	2.0 mV/V	Deflection at Capacity:	7.5-100 kg ≤ .4mm/.015"
Bridge Resistance:	350 ohms, nominal	Seal Type:	Environmentally-sealed
Material/Finish:	Stainless Steel	Cable Length:	3.3'/1m
Temperature:	Compensated range 14°F to 104°F/-10°C to 40°C	Cable Color Code:	Green + Excitation Black - Excitation Blue + Sense Brown - Sense Red + Signal White - Signal
Safe Overload:	200% full scale, at center loading point	Warranty:	2 years
Rated Excitation:	10V AC/DC (15V maximum)		
Total Error:	0.02% Full scale		
Insulation Resistance:	5000 megohms		

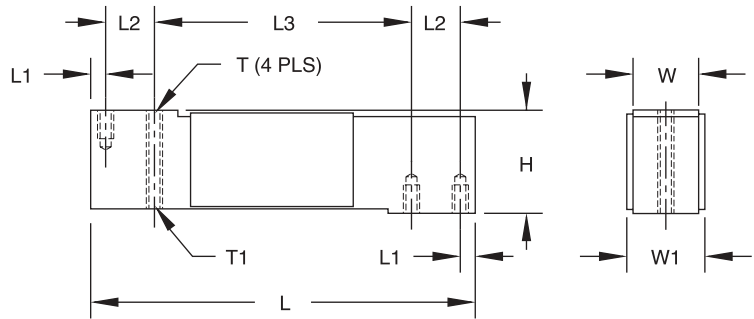
1130 ORDER INFORMATION

Load Rating	Part #	Suggested List Price
7.5 kg (16.6 lb)	53485	
15 kg (33.1 lb)	53486	
30 kg (66.1 lb)	53487	
50 kg (110.2 lb)	53488	
100 kg (220.0 lb)	53490	

Matched-output cells are available; consult factory.



1140 Potted Single Point, Stainless Steel



Tedea-Huntleigh



RATED CAPACITY	DIMENSIONS								
	H	L	L1	L2	L3	T	T1	W	W1
kg/millimeters 15-150	40.0	150.0	5.95	19.1	100.0	1/4-20 UNC X 10 DP	1/4-28 UNF X 10 DP	25.4	29.4
lb/inches 33.1-330.7	1.57	5.91	.23	.75	3.94	1/4-20 UNC X 0.39 DP	1/4-28 UNF X 0.39 DP	1.00	1.16

SPECIFICATIONS:

Full Scale Output: 2.0 mV/V
Bridge Resistance: 350 ohms, nominal
Material/Finish: Stainless steel
Temperature: Compensated range 0°F to 150°F/-18°C to 65°C
Manufacturer Model Number: 1140-XXXX201
Safe Overload: 200% at center loading point, full scale
Rated Excitation: 10V AC/DC (15V maximum)
Total Error: 0.02% Full scale

Insulation Resistance: 5000 megohms
Deflection at Capacity: 15-150 kg ≤ .4mm/.015"
Seal Type: Environmentally-sealed
Cable Length: 10'/3.1m
Cable Color Code: Green + Excitation
 Black - Excitation
 Blue + Sense
 Brown ... - Sense
 Red + Signal
 White - Signal
Warranty: 2 years

1140 ORDER INFORMATION

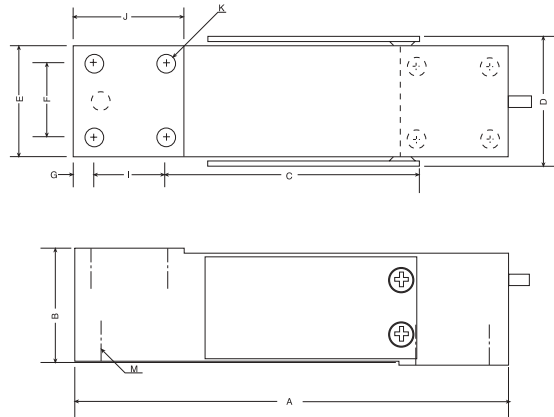
Load Rating	Part #	Suggested List Price
15 kg (33.1 lb)	17451	
30 kg (66.1 lb)	17452	
50 kg (110.2 lb)	17468	
75 kg (165.4 lb)	17485	
100 kg (220.5 lb)	17453	
150 kg (330.7 lb)	36466	

INTERCHANGEABLE PRODUCTS

Manufacturer	Model
Rice Lake Weighing Systems	(see page 343) RL1140



1240 Single Point, Stainless Steel



RATED CAPACITY

DIMENSIONS

	A	B	C	D	E	F	G	I	J	K	M
kg/millimeters 200-250	150.1	39.9	86.6	43.4	38.1	25.4	6.35	25.4	38.1	1/4-20 UNC x 13 DP	1/4-28 UNF x 10 DP
lb/inches 441-551.3	5.91	1.57	3.41	1.71	1.50	1.00	.25	1.00	1.50	1/4-20 UNC x 0.51 DP	1/4-28 UNF x 0.39 DP

SPECIFICATIONS:

Full Scale Output: 2.0 mV/V
 Bridge Resistance: 350 ohms
 Material/Finish: Stainless steel
 Temperature: Compensated temperature range
 0°F to 150°F/-18°C to 65°C
 Manufacturer
 Model Number: 1240-XXX101
 Safe Overload: 150% Full scale
 Rated Excitation: 10V AC/DC (15V maximum)
 Total Error: 0.02%

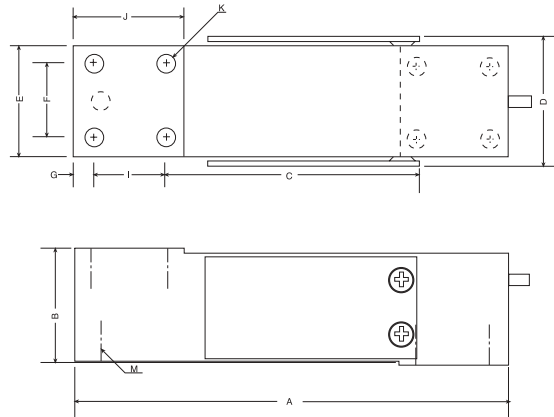
Insulation Resistance: 2000 ohms
 Deflection at Capacity: 200-250 kg = .015"/.4mm
 Seal Type: Environmentally-sealed
 Cable Length: 10'
 Cable Color Code: Green + Excitation
 Black - Excitation
 Blue + Sense
 Brown ... - Sense
 Red + Signal
 White - Signal
 Warranty: 1 year

1240 ORDER INFORMATION

Load Rating	Part #	Suggested List Price
200 kg (441 lb)	47880	
250 kg (551.3 lb)	47881	



1241 Single Point, Aluminum OIML C3



RATED CAPACITY	DIMENSIONS										
	A	B	C	D	E	F	G	I	J	K	M
kg/millimeters 100-250	150.1	39.9	86.6	43.4	38.1	25.4	6.35	25.4	38.1	1/4-20 UNC x 13 DP	1/4-28 UNF x 10 DP
lb/inches 220.5-551.3	5.91	1.57	3.41	1.71	1.50	1.00	.25	1.00	1.50	1/4-20 UNC x 0.51 DP	1/4-28 UNF x 0.39 DP

SPECIFICATIONS:

Full Scale Output: 2.0 mV/V
 Bridge Resistance: 350 ohms
 Material/Finish: Aluminum
 Temperature: Compensated range
 0°F to 150°F/-18°C to 65°C
 Manufacturer: Tedea-Huntleigh
 Model Number: 1241-XXX101
 Safe Overload: 150%, Full scale
 Rated Excitation: 10V AC/DC (15V maximum)
 Total Error: 0.005%

Insulation Resistance: 2000 megohms
 Deflection at Capacity: 100-250 kg = .015"/.4mm
 Seal Type: Environmentally-sealed
 Cable Length: 1m/3.3'
 Cable Color Code: Green + Excitation
 Black - Excitation
 Blue + Sense
 Brown ... - Sense
 Red + Signal
 White - Signal
 Warranty: 1 year

1241 ORDER INFORMATION

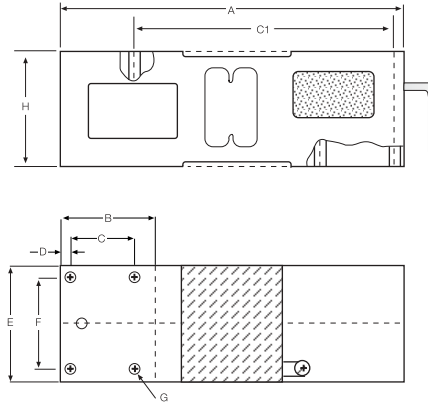
Load Rating	Part #	Suggested List Price
100 kg (220.5 lb)	47876	
150 kg (330.7 lb)	47877	
200 kg (441.0 lb)	47878	
250 kg (551.3 lb)	47879	



1260 Single Point, Aluminum NTEP 1:5000 Class III Single Cell



Available upon request



RATED CAPACITY	DIMENSIONS								
	A	B	C	C1	D	E	F	G	H
kg/millimeters 50-635	188	52	35	142	5.5	62.3	50	5/16-18 UNC-2B	62.3
lb/inches 110.2-1399.9	7.40	2.05	1.38	5.59	.22	2.45	1.97	5/16-18 UNC-2B	2.45

SPECIFICATIONS:

Full Scale Output: 2.0 mV/V
Bridge Resistance: 350 ohms, nominal
Material/Finish: Anodized aluminum
Temperature: Compensated temperature range
 14°F to 110°F/-10°C to 40°C
Manufacturer
Model Number: 1260-XXXX001
Safe Overload: 200% of full scale at center loading point
Rated Excitation: 10V DC (20V maximum)
Total Error: 0.02% Full scale

Insulation Resistance: 5000 megohms
Seal Type: Environmentally-sealed
Cable Length: 10' / 3m
Cable Color Code: Green + Excitation
 Black - Excitation
 Blue + Sense
 Brown ... - Sense
 Red + Signal
 White - Signal
Warranty: 2 years

1260 ORDER INFORMATION

Load Rating	Part #	Suggested List Price
50 kg (110.2 lb)	40769	
75 kg (165.4 lb)	40770	
100 kg (220.5 lb)	40771	
200 kg (440.9 lb)	40772	
250 kg (551.2 lb)	40773	
300 kg (661.4 lb)	40774	
500 kg (1102.3 lb)	40775	
635 kg (1399.9 lb)	40776	

INTERCHANGEABLE PRODUCTS

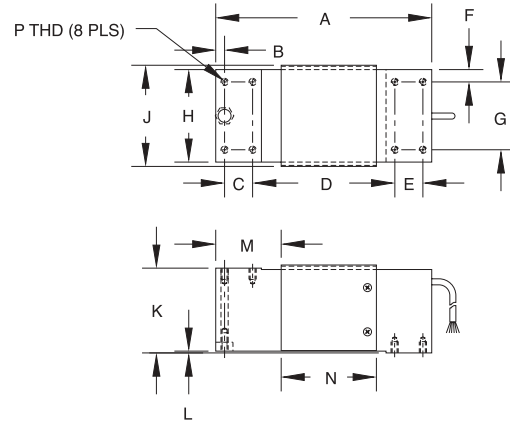
Manufacturer	Model
Rice Lake Weighing Systems	(see page 159) RL1260



1250 Potted Single Point, Aluminum NTEP 1:5000 Class III Single Cell



Available upon request



RATED CAPACITY	DIMENSIONS													
	A	B	C	D	E	F	G	H	J	K	L	M	N	P
kg/millimeters 100-1000	191.0	11.0	25.0	125.0	25.0	7.5	60.0	75.0	82.0	75.0	1.5	57.5	85.0	5/16-18UNC X 15 DP
lb/inches 220.5-2205	7.52	.43	.98	4.92	.98	.30	2.36	2.95	3.23	2.95	.06	2.26	3.35	5/16-18UNC X .59 DP

SPECIFICATIONS:

Full Scale Output: 2.0 mV/V
Bridge Resistance: 350 ohms, nominal
Material/Finish: Anodized aluminum
Temperature: Compensated range
 14°F to 104°F/-10°C to 40°C
Manufacturer Model Number:
 1250-XXXX001 (NTEP)
 1250-XXXX201 (Non-NTEP)
Safe Overload: 200% of full scale at center loading point
Rated Excitation: 10V AC/DC (20V maximum)
Total Error: 0.02% Full scale

Insulation Resistance: 5000 megohms
Deflection at Capacity: 50-1000 kg ≤ .4mm/.015"
Seal Type: Environmentally-sealed
Cable Length: 10'/3.1m
Cable Color Code:
 Green + Excitation
 Black - Excitation
 Blue + Sense
 Brown ... - Sense
 Red + Signal
 White - Signal
Warranty: 2 years

1250 POTTED ORDER INFORMATION

Load Rating	Part #	Suggested List Price
Potted, NTEP 1:5000		
100 kg (220.5 lb)	33711	
150 kg (330.7 lb)	33712	
200 kg (440.9 lb)	33713	
250 kg (551.2 lb)	33714	
300 kg (661.4 lb)	33715	
500 kg (1102.3lb)	33716	
635 kg (1399.9 lb)	33717	
Non-NTEP		
50 kg (110.3 lb)	17478	
75 kg (165.4 lb)	17469	
1000 kg (2205 lb)	17480	

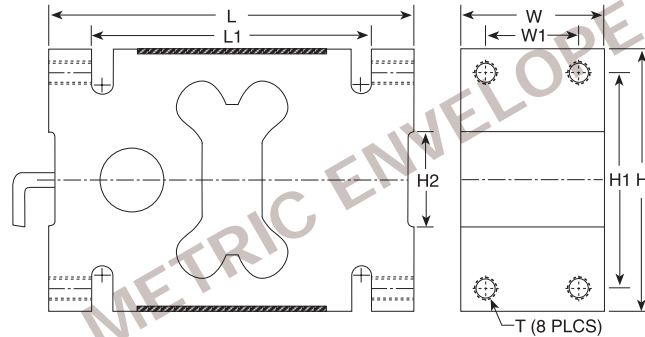
INTERCHANGEABLE PRODUCTS

Manufacturer	Model
Rice Lake Weighing Systems	(see page 160) RL1250
Celtron	(see page 201) LOC
Revere Transducers	(see page 382) 652
Flintec	(see page 218) PCB*

* Stainless steel, hermetically-sealed



1320 Single Point, Aluminum NTEP 1:3000, Class III Single Cell



Available upon request

RATED CAPACITY	DIMENSIONS							
	H	H1	H2	L	L1	T	W	W1
kg/millimeters 1000-2000	126.0	95.0	45.0	176.0	135.0	M16X2-6H	76.0	46.0
lb/inches 2204.6-4409.2	4.96	3.74	1.77	6.93	5.31	M16X2-6H	2.99	1.81

SPECIFICATIONS:

Full Scale Output: 2.0 mV/V
Bridge Resistance: 350 ohms, nominal
Material/Finish: Aluminum alloy
Temperature: Compensated range
 14°F to 104°F/-10°C to 40°C
Manufacturer Model Number: 1320-XXXX101
Safe Overload: 150% Full scale
Rated Excitation: 10V DC/AC (15V maximum)
Total Error: 0.02% Full scale
Insulation Resistance: 2000 megohms

Deflection at Capacity: 1000-2000 kg ≤ .4mm/.015"
Max. Platform Size: 4' x 4'/1.2m x 1.2m
Seal Type: Environmentally-sealed
Cable Length: 6m/19.7'
Cable Color Code: Green + Excitation
 Black - Excitation
 Blue + Sense
 Brown ... - Sense
 Red + Signal
 White - Signal
Warranty: 2 years

1320 ORDER INFORMATION

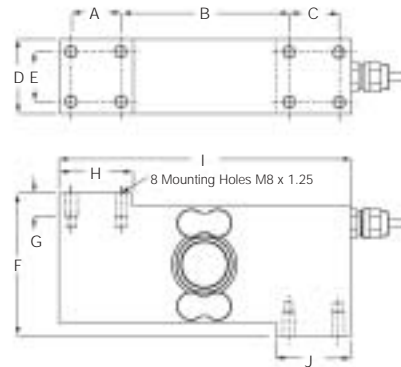
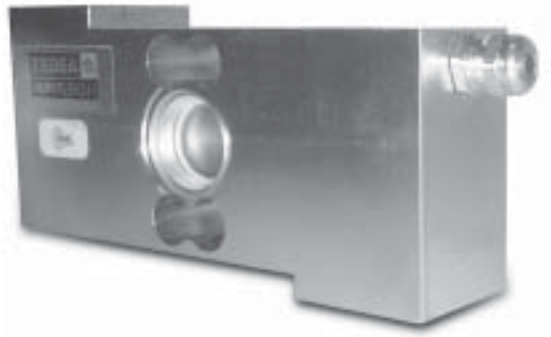
Load Rating	Part #	Suggested List Price
1000 kg (2204.6 lb)	29908	
1500 kg (3306.9 lb)	29909	
2000 kg (4409.2 lb)	29910	

INTERCHANGEABLE PRODUCTS

Manufacturer	Model
Celtron	(see page 202) HOC



1510 Single Point, Stainless Steel Welded-seal, IP68



RATED CAPACITY	DIMENSIONS									
	A	B	C	D	E	F	G	H	I	J
kg/millimeters 100-500 kg	25.4	86.3	25.4	38.1	25.4	72.8	11.9	38.1	149.9	38.1
lb/inches 100-500 lb	1.00	3.40	1.00	1.50	1.00	2.87	0.47	1.50	5.90	1.50

SPECIFICATIONS:

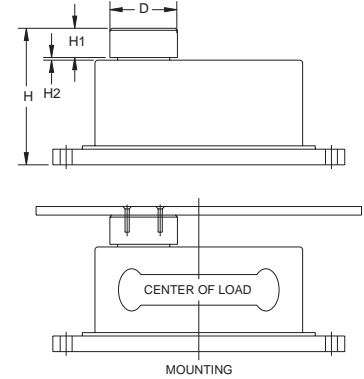
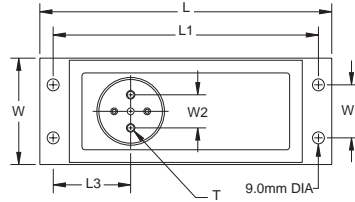
Full Scale Output:	2.0 mV/V	Seal Type:	Welded-seal, IP68
Bridge Resistance:	350 ohms, nominal	Cable Length:	3.3'/1m
Material/Finish:	Stainless steel	Cable Color Code:	Green + Input Black - Input Blue + Sense Brown ... - Sense Red + Output White - Output
Temperature:	Compensated temperature range -14°F to 104°F/-10°C to 40°C	Warranty:	2 years
Safe Overload:	150% at center loading point, full scale		
Rated Excitation:	10V DC (15V maximum)		
Total Error:	0.020% Full scale		
Insulation Resistance:	1000 megohms		

1510 ORDER INFORMATION

Load Rating	Part #	Suggested List Price
100 kg (220.5 lb)	65851	
250 kg (551.2 lb)	65852	
500 kg (1102.3 lb)	65853	



240 Single Point Fluid Damped Alloy Steel/Stainless Steel Casing NTEP 1:5000 Class III Single Cell



Available upon request

RATED CAPACITY	DIMENSIONS										
	D	H	H1	H2	L	L1	L3	T	W	W1	W2
kg/millimeters 2-50	50 DIA.	115.0	21.0	2.0	220.0	200.0	58.5	1/4-20 UNC X 10 DP	80.0	40.0	25.0
lb/inches 4.4-110.2	1.97 DIA.	4.53	.83	.08	8.66	7.87	2.30	1/4-20 UNC X 0.39 DP	3.15	1.57	.98

SPECIFICATIONS:

Full Scale Output:	2.0 mV/V	Total Error:	0.025% Full scale
Bridge Resistance:	350 ohms, nominal	Insulation Resistance:	5000 megohms
Material/Finish:	Anodized aluminum load cell in alloy steel or stainless steel enclosure	Seal Type:	Environmentally-sealed
Temperature:	Operating temperature range 32°F to 122°F/0°C to 50°C	Cable Length:	3m/10'
Manufacturer		Cable Color Code:	Green + Excitation Black - Excitation Blue + Sense Brown ... - Sense Red + Signal White - Signal
Model Number:	0240-XXXX-922 (Alloy) 0240-XXXX-923 (Stainless Steel)	Warranty:	2 years
Safe Overload:	150% at center loading point, full scale		
Rated Excitation:	10V DC (15V maximum)		

240 ORDER INFORMATION

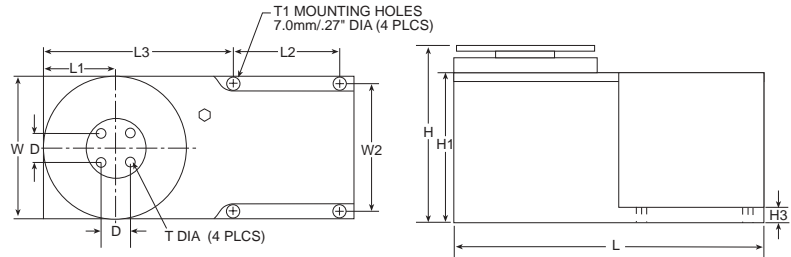
Load Rating	Part #	Suggested List Price
Alloy Steel*		
*2 kg (4.4 lb)	17559	
5 kg (11.0 lb)	17560	
7 kg (15.4 lb)	17561	
10 kg (22.0 lb)	17562	
15 kg (33.1 lb)	17563	
20 kg (44.1 lb)	17564	
30 kg (66.1 lb)	17565	
50 kg (110.2 lb)	17566	
Stainless Steel*		
*2 kg (4.4 lb)	17567	
5 kg (11.0 lb)	17568	
7 kg (15.4 lb)	17569	
10 kg (22.0 lb)	17570	
15 kg (33.1 lb)	17571	
20 kg (44.1 lb)	17572	
30 kg (66.1 lb)	17573	
50 kg (110.2 lb)	17574	

* Non-NTEP models available; consult factory.

NOTE: The special fluid damped operation is particularly well suited for applications where quick weighment is required, e.g., checkweighers.



9010 Single Point Fluid Damped Load Cell



Tedea-Huntleigh



RATED CAPACITY	DIMENSIONS										
	D	H	H1	H3	L	L1	L2	L3	T	W	W2
kg/millimeters 3-50	19.05	115.2	97.3	10.0	199.5	46.0	71.5	119.8	1/4-20 UNC X 20DP	92.0	82.0
lb/inches 6.6-110.2	.75	4.53	3.83	.39	7.85	1.81	2.81	4.72	1/4-20 UNC x .79DP	3.62	3.23

SPECIFICATIONS:

Full Scale Output:	2.0 mV/V	Seal Type:	Environmentally-sealed
Bridge Resistance:	350 ohms, nominal	Cable Length:	3'/.9m
Material/Finish:	Anodized load cell in nickel plated housing	Cable Color Code:	Green + Excitation Black - Excitation Blue + Sense Brown ... - Sense Red + Signal White - Signal
Temperature:	Operating temperature range 10°C to 30°C/50°F to 86°F	Warranty:	2 years
Safe Overload:	800% Full scale downward, 400% Full scale upward		
Rated Excitation:	15V AC/DC (20V maximum)		
Total Error:	0.03% Full scale		
Insulation Resistance:	5000 megohms		

9010 ORDER INFORMATION

Load Rating	Part #	Suggested List Price
3 kg (6.6 lb)	consult factory	consult factory
5 kg (11.0 lb)	consult factory	consult factory
7 kg (15.4 lb)	consult factory	consult factory
10 kg (22.0 lb)	consult factory	consult factory
15 kg (33.1 lb)	consult factory	consult factory
20 kg (44.1 lb)	consult factory	consult factory
30 kg (66.1 lb)	consult factory	consult factory
50 kg (110.2 lb)	consult factory	consult factory

9010 load cells are custom-manufactured per specific application requirements. Use the Application Definition form on page 352 to define your applications.

Tedea-Huntleigh Model 9010 Application Definition Form

Customer's Name: _____ Number of Units: _____

Contact Person: _____ Date: _____

Application: _____

Tare Weight (Dead Load), kg: _____

Useful Weight (Live Load), kg: _____

If Checkweigher:

Size of conveyor platform (cm x cm): Length (Movement Direction) _____ Width _____

Size of weighed product in movement direction (cm): _____

Speed of belt (cm/sec): _____

Tare Weight Distribution: Conveyor (kg) _____

Motor (kg) _____

Position of motor (see sketch, cm): D _____ F _____

If not checkweigher (see sketch):

Estimate tare C. G. Position (cm): D _____ F _____

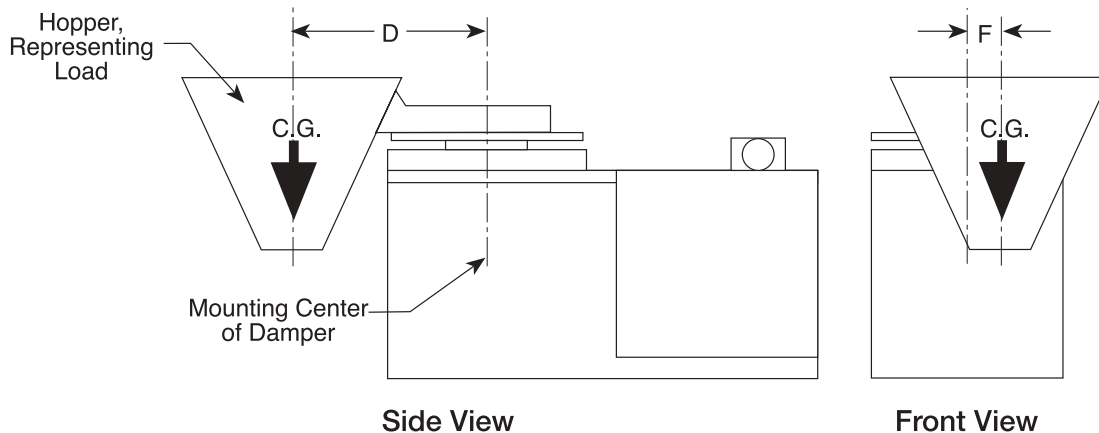
Loading position (cm): D _____ F _____ Drop Height (cm) _____

If C. G. of load varies, max. distance between extreme position (cm): _____

Describe live load (powder, fruit, screws, etc.): _____

Settling time (milliseconds): _____

Accuracy required: _____ Operating temperature range (°C): _____



Return completed form to your Sales Representative.

For Factory use; do not write in space below.

Serial Numbers: _____ Sales Order #: _____

Delivery Quoted: _____ Date: _____