

RON Crane Scales

Measuring Excellence



RON 1000 - Standard Type Overload Detector

The RON 1000 standard type overload detector is designed to be installed on the dead ends of chains or wire ropes, or can be used between the hoist and its trolley.

The RON 1000 standard type is a low headroom, electromechanical overload detector, used for overload monitoring. It may be configured to trigger any desired electrical alarm supplied by the customer, including stopping the lift when an unsafe overload condition occurs, for overload detection and prevention.

The devices are supplied factory-calibrated and ready for installation. Available in a wide variety of capacities, the RON 1000 can be supplied in capacities ranging from 500 lbs (250 kgs) to 20,000 lbs (10,000 kgs). Each unit is initially adjusted to give the user an overload indication at 105% of rated capacity. An additional detection point is optional.

RON 1000 overload detectors are factory-adjusted and supplied with a test certificate, including a proof load certificate.



Specifications

Safety Factor: 5:1. Each system proof-loaded to 200% of capacity (certified).

Switching Nature: Normally open and/or normally closed.

Rating: 0.5A @ 50 VDC, 0.5A @ 125 VAC.

Life Expectancy: Electrical: over 1 million operations. Mechanical: over 5 million operations.

Approved by: UL, CSA, Semko VDE.

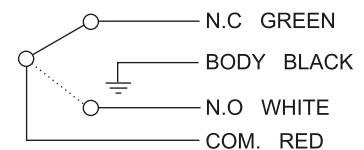
Environment: Weatherproof, NEMA 4, IP 65

Temperature Range: -4°F to +175°F (-20°C to +80°C).

Cable Length: 9.5' (3m).

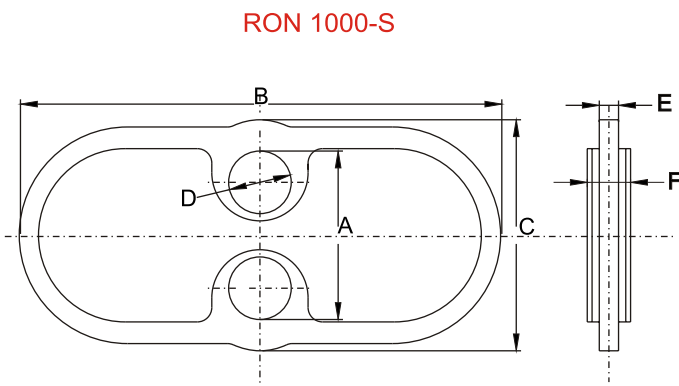
Material: High strength, low alloy steel.

Wiring:



Options

- Additional detection point
- Fatigue rated structure



| Cat. No. | Cap. tons | D Min. | | A mm inch | E Max. mm inch | F Max. mm inch | C Max. | | B Max. | | |
|----------|-----------|--------|--------------------------------|-----------|-------------------------------|----------------|----------|------|-------------------------------|------|--------------------------------|
| | | mm | inch | | | | mm | inch | mm | inch | |
| S-002 | 0.25 | 25 | 1 | 60 | 2 ³ / ₈ | 7 5/16 | 19 3/4 | 100 | 4 | 202 | 8 |
| S-005 | 0.5 | | | | | 7 5/16 | 19 3/4 | | | | |
| S-007 | 0.75 | | | | | 7 5/16 | 19 3/4 | | | | |
| S-008 | 0.8 | | | | | 7 5/16 | 19 3/4 | | | | |
| S-01 | 1.0 | | | | | 7 5/16 | 19 3/4 | | | | |
| S-012 | 1.25 | | | | | 7 5/16 | 19 3/4 | | | | |
| S-015 | 1.5 | | | | | 9 3/8 | 21 13/16 | | | | |
| S-016 | 1.6 | | | | | 9 3/8 | 21 13/16 | | | | |
| S-02 | 2.0 | | | | | 11 7/16 | 23 7/8 | | | | |
| S-025 | 2.5 | | | | | 13 9/16 | 25 1 | | | | |
| S-03 | 3.0 | 40 | 1 ⁹ / ₁₆ | 111 | 4 ³ / ₈ | 7 5/16 | 22 7/8 | 155 | 6 ¹ / ₈ | 272 | 10 ³ / ₄ |
| S-032 | 3.2 | | | | | 7 5/16 | 22 7/8 | | | | |
| S-04 | 4 | | | | | 7 5/16 | 22 7/8 | | | | |
| S-05 | 5 | | | | | 7 5/16 | 22 7/8 | | | | |
| S-06 | 6 | | | | | 9 3/8 | 24 15/16 | | | | |
| S-063 | 6.3 | | | | | 9 3/8 | 24 15/16 | | | | |
| S-08 | 8 | | | | | 11 7/16 | 26 1 | | | | |
| S-10 | 10 | | | | | 13 9/16 | 28 11/8 | | | | |

WHEN USING THE OVERLOAD DETECTOR USE LIFTING ACCESSORIES WITH S.W.L. (SAFE WORKING LOAD) EQUAL TO, OR GREATER THAN THAT OF THE DETECTOR. Eilon Engineering reserves the right to make changes without notice.

E-mail: info@ron-crane-scales.com

Web Site: www.ron-crane-scales.com