

This documents is for reference, dimensions are subject to change.

ALL RIGHTS OF THE PROJECT STRICTLY RESERVED TO DINAMICA GENERALE. REPRODUCTION OR ISSUE TO THIRD PARTIES IN ANY FORM WHATEVER IS, NOT PERMITTED WITHOUT WRITTEN AUTHORIZATION FROM DINAMICA GENERALE

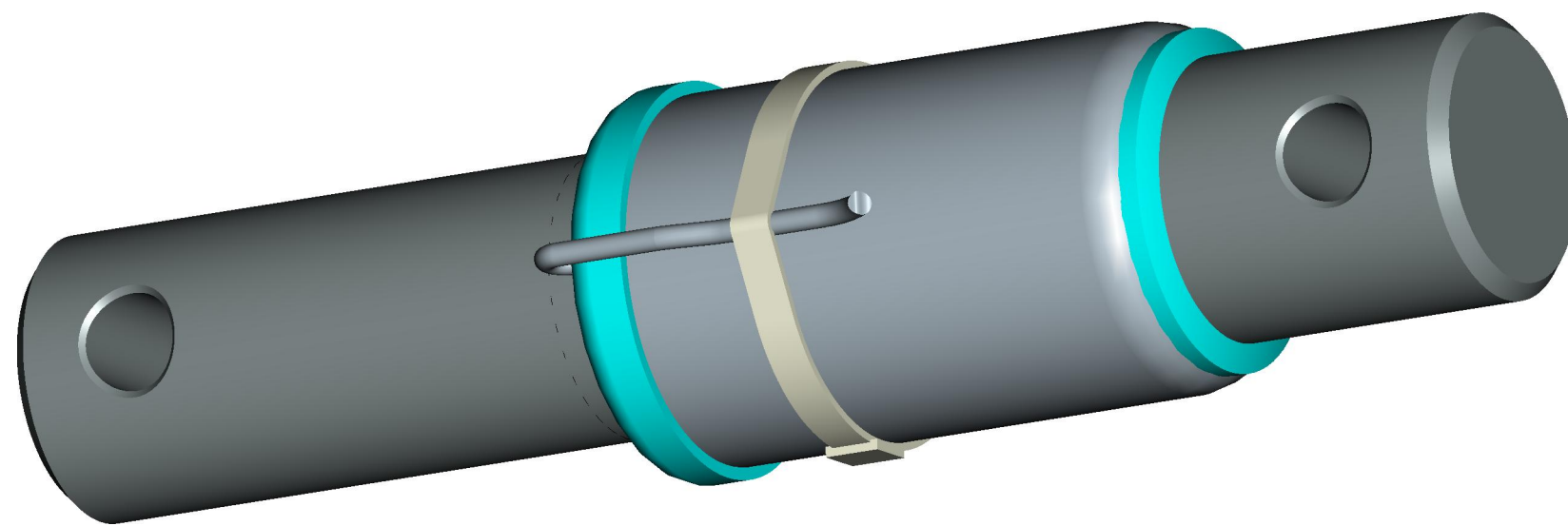
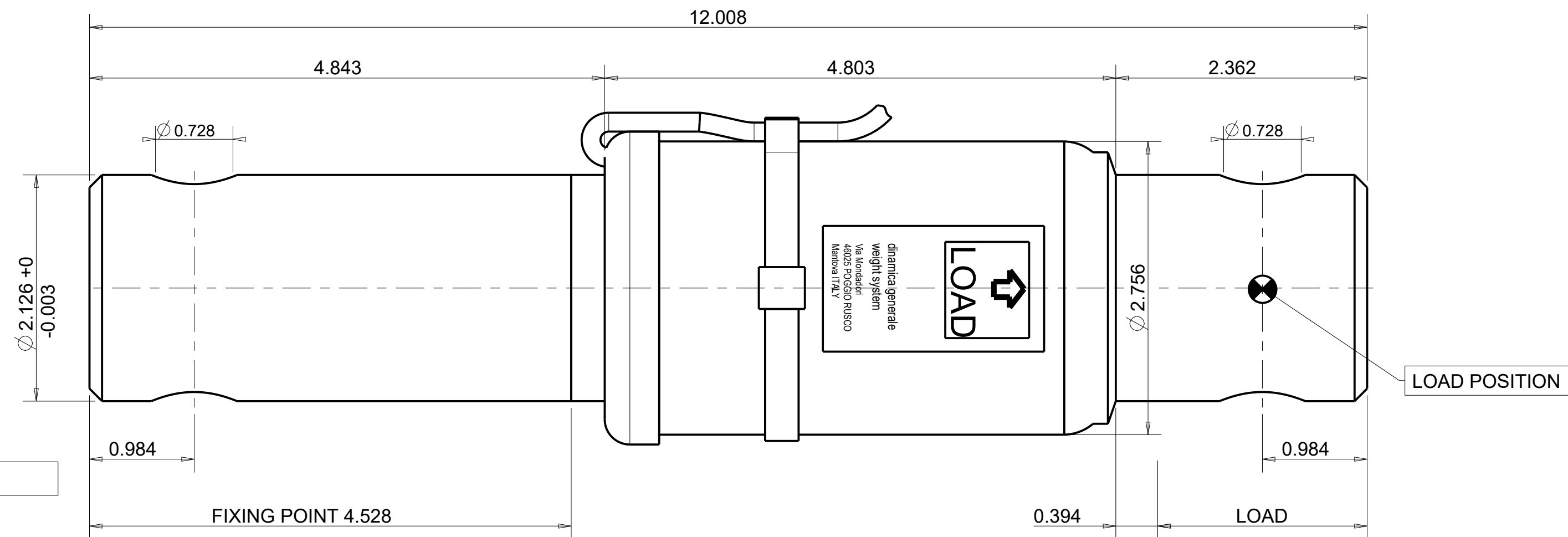
|          |       |
|----------|-------|
| INPUT +  | RED   |
| INPUT -  | BLACK |
| OUTPUT + | GREEN |
| OUTPUT - | WHITE |

| SPECIFICATIONS      | STATIC | MOBILE |
|---------------------|--------|--------|
| RATED LOAD (LBS)    | 13559  | 9039   |
| RATED LOAD (Kg)     | 6150   | 4100   |
| RATED OUTPUT (mV/V) | 1.45   | 0.96   |

| PART CODE | CABLE LENGHT |     | CABLE TERMINATION |
|-----------|--------------|-----|-------------------|
|           | FT           | m   |                   |
| 969-0044  | 19.7         | 6.5 | Wires             |

| REV.  | MOD.N. | DATE     | SIGNATURE | DESCRIPTION  | SCALE   | UNSPECIFIED TOLLERANCES  |   |
|---|--------|----------|-----------|--|---|--|---|
| E   | A7     | 30/05/17 | M.B.      | Agg. fdm 146-17                                      | <br>1/1<br>± 0.5<br>ROUGHNESS                       | A2   |   |
| D   | A6     | 31/10/12 | M.B.      | Aggiornamento resina                                 |   |  |   |
| C   | A5     | 18/11/09 | M.B.      | Standardizzato valore DG                             |   |  |   |
| B   | A4     | 16/04/09 | M.B.      | Introdotta cavo 009-0079                             |   |  |   |
| A   | A3     | 12/03/07 | M.B.      | Rifatto e aggiornato                                 |   |  |   |
| <br>46025 Poggio Rusco (MN)<br>Via Mondadori, 15<br>Tel. ++39 0386.52134<br>Fax ++39 0386.51523 |        |          |           | *DRAWN<br>DATE: 12/03/2007<br>SIGNATURE: M.BRESCIANI | *CHECKED<br>DATE: 12/03/2007<br>SIGNATURE: A. BARBI | *APPROVED<br>DATE: 12/03/2007<br>SIGNATURE: A. BARBI           | *REFER TO ORIGINAL DRAWING IF SIGNATURE ARE PRINTED |
| DESCRIPTION   |        |          |           | MOBILE Load Cell DG8500/54-AB C=6,5m                 |   |  |   |
| CODE  |        |          |           | 969-0044   | REV. A7   | THE COPY OF THIS DRAWING MUST BE APPROVED BY DINAMICA GENERALE |   |

MEASURES EXPRESSED IN INCHES



This documents is for reference, dimensions are subject to change.

ALL RIGHTS OF THE PROJECT STRICTLY RESERVED TO DINAMICA GENERALE. REPRODUCTION OR ISSUE TO THIRD PARTIES IN ANY FORM WHATEVER IS, NOT PERMITTED WITHOUT WRITTEN AUTHORIZATION FROM DINAMICA GENERALE

|          |       |
|----------|-------|
| INPUT +  | RED   |
| INPUT -  | BLACK |
| OUTPUT + | GREEN |
| OUTPUT - | WHITE |

| SPECIFICATIONS      | STATIC | MOBILE |
|---------------------|--------|--------|
| RATED LOAD (LBS)    | 13559  | 9039   |
| RATED LOAD (Kg)     | 6150   | 4100   |
| RATED OUTPUT (mV/V) | 1.45   | 0.96   |

| PART CODE | CABLE LENGHT |     | CABLE TERMINATION |
|-----------|--------------|-----|-------------------|
|           | FT           | m   |                   |
| 969-0044  | 19.7         | 6.5 | Wires             |

| REV. | MOD.N. | DATE     | SIGNATURE | DESCRIPTION   | SCALE  | UNSPECIFIED TOLLERANCES |
|------|--------|----------|-----------|---|--|-------------------------|
| E    | A7     | 30/05/17 | M.B.      | Agg. fdm 146-17   | A2   | ± 0.02                  |
| D    | A6     | 31/10/12 | M.B.      | Aggiornamento resina  |  |                         |
| C    | A5     | 18/11/09 | M.B.      | Standardizzato valore DG  |  |                         |
| B    | A4     | 16/04/09 | M.B.      | Introdotta cavo 009-0079  |  |                         |
| A    | A3     | 12/03/07 | M.B.      | Rifatto e aggiornato  |  |                         |
|      |        |          |           | *DRAWN: 12/03/2007<br>*CHECKED: 12/03/2007<br>*APPROVED: 12/03/2007<br>SIGNATURE: M.BRESCIANI, A. BARBI, A. BARBI<br>WEIGHT [lbs]: 11.799<br>*REFER TO ORIGINAL DRAWING IF SIGNATURE ARE PRINTED<br>DESCRIPTION: MOBILE Load Cell DG8500/54-AB C=6,5m<br>CODE: 969-0044<br>REV.: A7 | THE COPY OF THIS DRAWING MUST BE APPROVED BY DINAMICA GENERALE |                         |