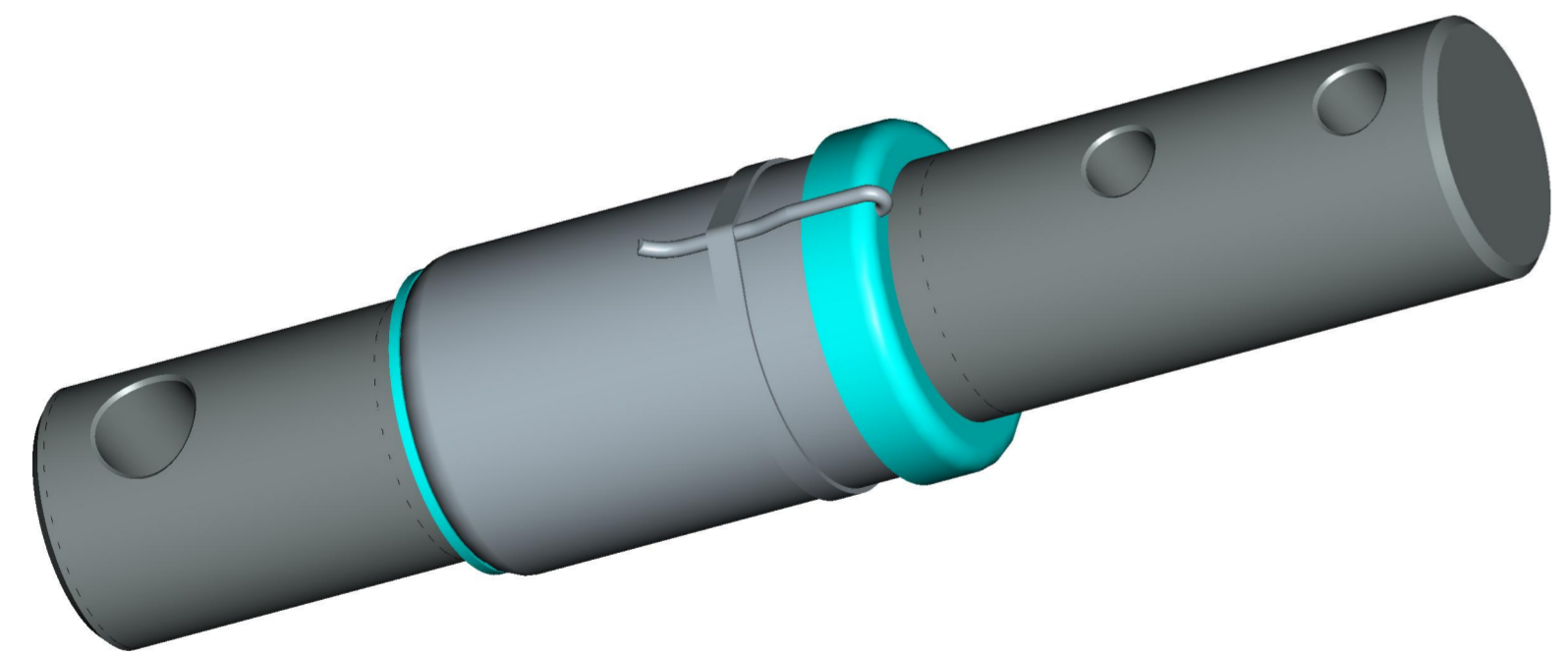


Bushing Tolerance
 $\varnothing 73 +0.2/+0.3$



This documents is for reference, dimensions are subject to change.

ALL RIGHTS OF THE PROJECT STRICTLY RESERVED TO DINAMICA GENERALE. REPRODUCTION OR ISSUE TO THIRD PARTIES IN ANY FORM WHATEVER IS, NOT PERMITTED WITHOUT WRITTEN AUTHORIZATION FROM DINAMICA GENERALE

INPUT +	RED
INPUT -	BLACK
OUTPUT +	GREEN
OUTPUT -	WHITE
BRAID	BLUE

SPECIFICATIONS	STATIC	MOBILE
RATED LOAD (LBS)	24803	16535
RATED LOAD (Kg)	11250	7500
RATED OUTPUT (mV/V)	1.02	0.68

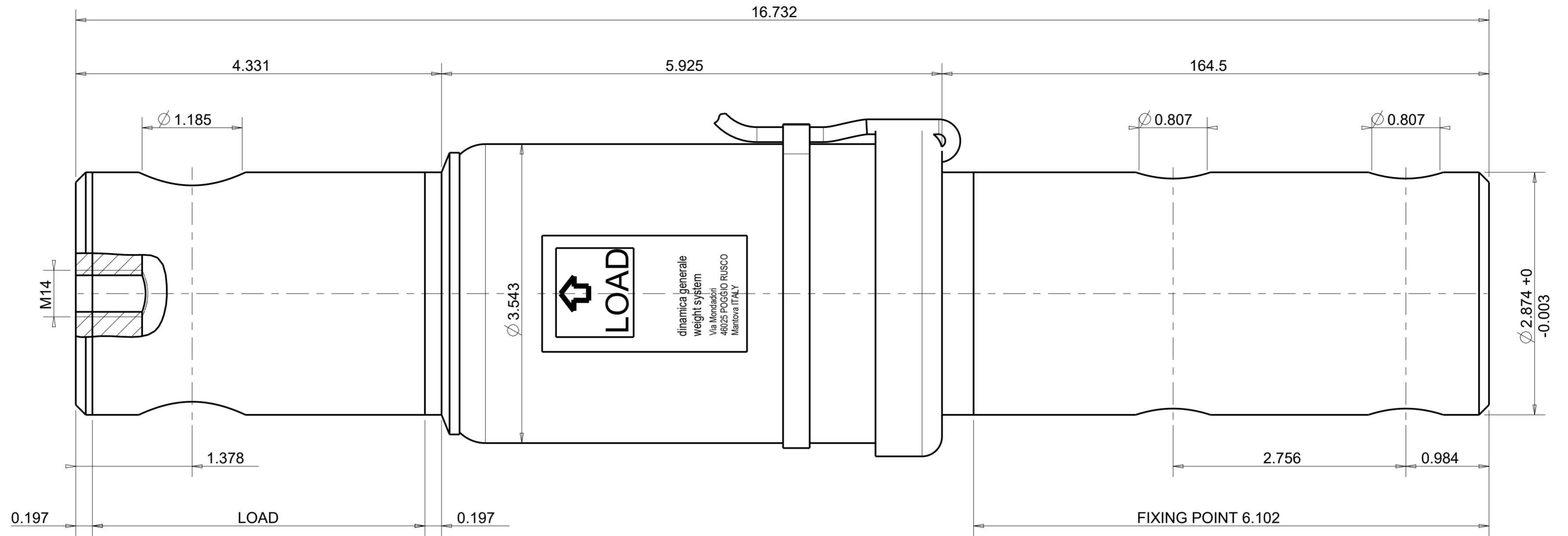
PART CODE	CABLE LENGHT		CABLE TERMINATION
	FT	m	
969-0047	21.3	6.5	Wires

SEE DOCUMENT DGCG01 FOR ADDITIONAL CABLE INFORMATION
 SEE DOCUMENT DGMG01 FOR ADDITIONAL MOUNTING GUIDELINES

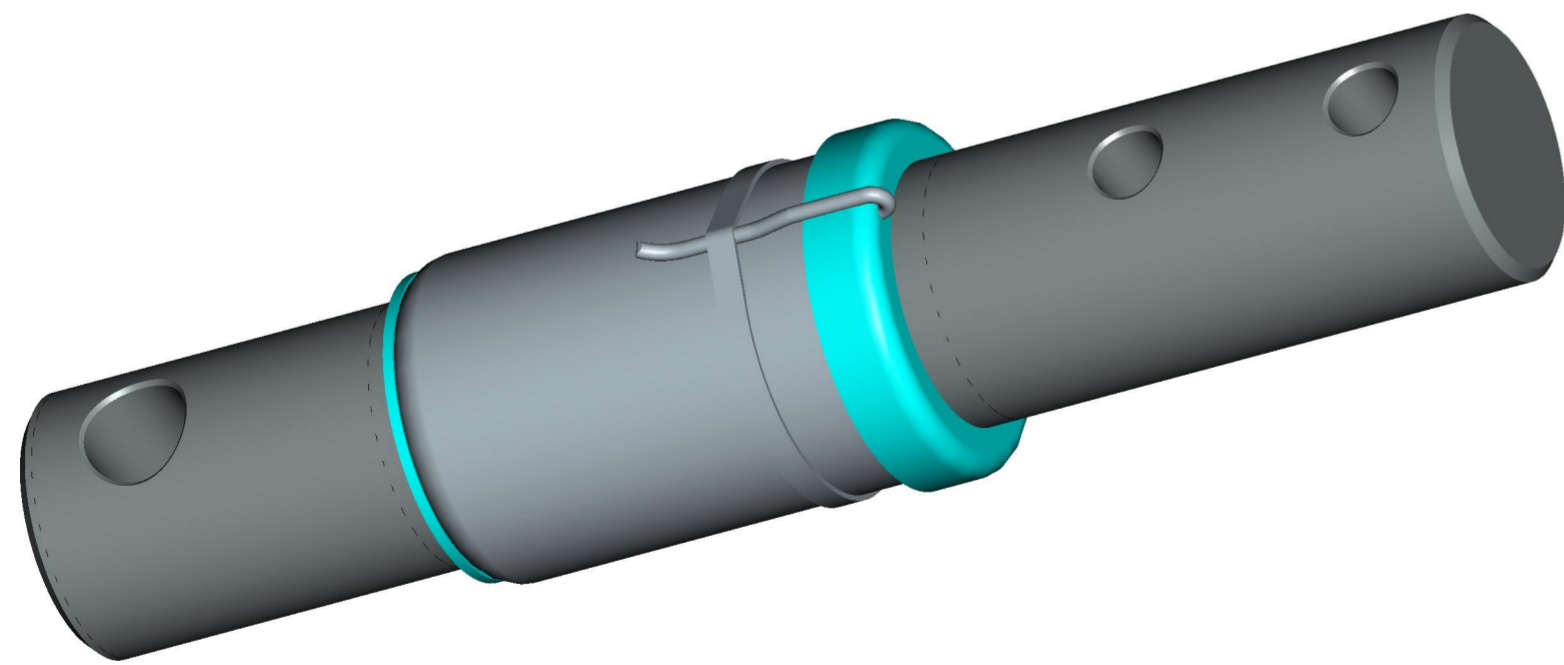
REV.	MOD.N.	DATE	SIGNATURE	DESCRIPTION	SCALE
D	A5	22/09/16	M.B.	Agg. fdm 215_16	A2
C	A4	29/10/14	M.B.	Aggiornamento protettivi	
B	A3	05/05/08	M.B.	Inserita scheda universale	
A	A2	02/04/07	M.B.	Rifatto e aggiornato	
SCALE 1/1					
UNSPECIFIED TOLLERANCES					± 0.5
ROUGHNESS					
WEIGHT [kg] 13.418 *REFER TO ORIGINAL DRAWING IF SIGNATURE ARE PRINTED					
DESCRIPTION MOBILE Load Cell DG22000/73-AV C=6.5m					
CODE 969-0047					REV. A5
THE COPY OF THIS DRAWING MUST BE APPROVED BY DINAMICA GENERALE					

DINAMICA GENERALE
 Weight Systems
 46025 Poggio Rusco (MN)
 Via Mondadori, 15
 Tel. ++39 0386.52134
 Fax ++39 0386.51523

MEASURES EXPRESSED IN INCHES



Bushing Tolerance
 $\phi 2.874 +0.008/+0.012$



This documents is for reference, dimensions are subject to change.

ALL RIGHTS OF THE PROJECT STRICTLY RESERVED TO DINAMICA GENERALE. REPRODUCTION OR ISSUE TO THIRD PARTIES IN ANY FORM WHATEVER IS, NOT PERMITTED WITHOUT WRITTEN AUTHORIZATION FROM DINAMICA GENERALE

INPUT +	RED
INPUT -	BLACK
OUTPUT +	GREEN
OUTPUT -	WHITE
BRAID	BLUE

SPECIFICATIONS	STATIC	MOBILE
RATED LOAD (LBS)	24803	16535
RATED LOAD (Kg)	11250	7500
RATED OUTPUT (mV/V)	1.02	0.68

PART CODE	CABLE LENGHT		CABLE TERMINATION
	FT	m	
969-0047	21.3	6.5	Wires

SEE DOCUMENT DGCG01 FOR ADDITIONAL CABLE INFORMATION
 SEE DOCUMENT DGMG01 FOR ADDITIONAL MOUNTING GUIDELINES

REV.	MOD.N.	DATE	SIGNATURE	DESCRIPTION	SCALE									
D	A5	22/09/16	M.B.	Agg. fdm 215_16	A2									
C	A4	29/10/14	M.B.	Aggiornamento protettivi										
B	A3	05/05/08	M.B.	Inserita scheda universale										
A	A2	02/04/07	M.B.	Rifatto e aggiornato										
SCALE 1/1														
<table border="1"> <thead> <tr> <th>*DRAWN</th> <th>*CHECKED</th> <th>*APPROVED</th> </tr> </thead> <tbody> <tr> <td>02/04/2007</td> <td>02/04/2007</td> <td>02/04/2007</td> </tr> <tr> <td>M.BRESCIANI</td> <td>A. BARBI</td> <td>A. BARBI</td> </tr> </tbody> </table>					*DRAWN	*CHECKED	*APPROVED	02/04/2007	02/04/2007	02/04/2007	M.BRESCIANI	A. BARBI	A. BARBI	UNSPECIFIED TOLLERANCES
*DRAWN	*CHECKED	*APPROVED												
02/04/2007	02/04/2007	02/04/2007												
M.BRESCIANI	A. BARBI	A. BARBI												
<table border="1"> <thead> <tr> <th>WEIGHT [lbs]</th> <th>ROUGHNESS</th> </tr> </thead> <tbody> <tr> <td>29.582</td> <td>± 0.02</td> </tr> </tbody> </table>					WEIGHT [lbs]	ROUGHNESS	29.582	± 0.02						
WEIGHT [lbs]	ROUGHNESS													
29.582	± 0.02													
DESCRIPTION: MOBILE Load Cell DG22000/73-AV C=6.5m CODE: 969-0047 REV: A5														
THE COPY OF THIS DRAWING MUST BE APPROVED BY DINAMICA GENERALE														

DINAMICA GENERALE
 Weight Systems
 46025 Poggio Rusco (MN)
 Via Mondadori, 15
 Tel. ++39 0386.52134
 Fax ++39 0386.51523