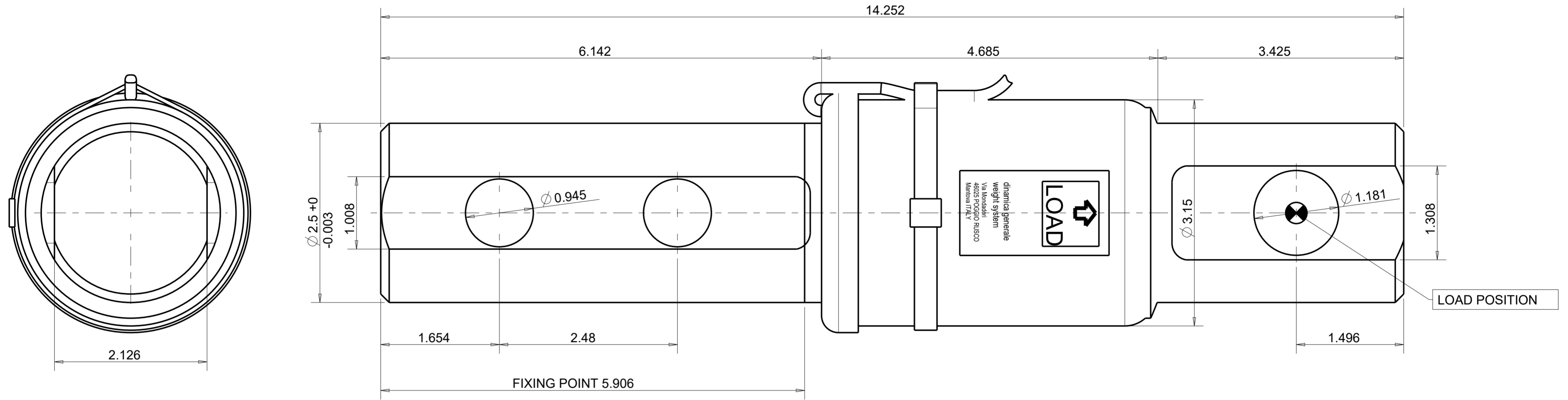
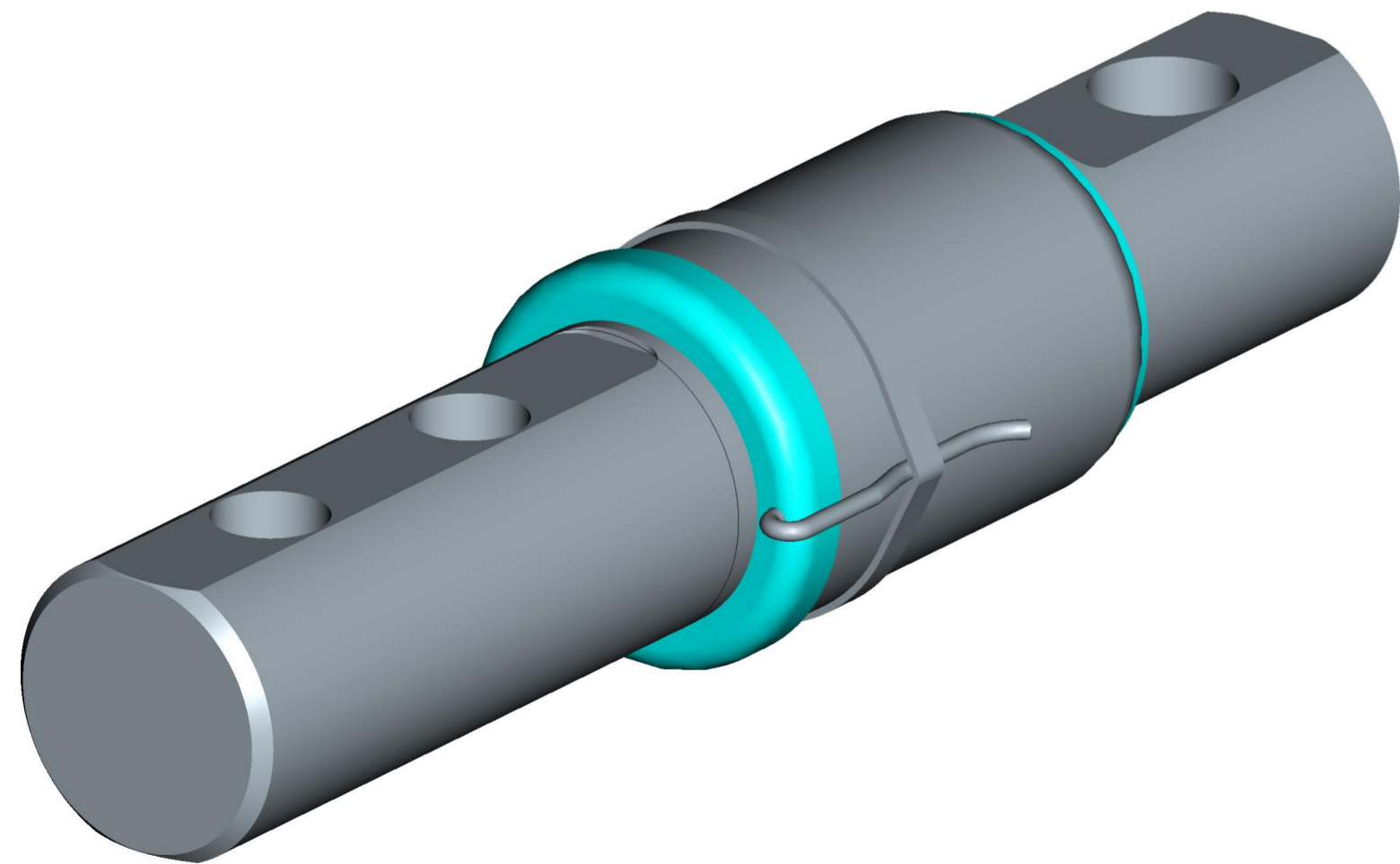


MEASURES EXPRESSED IN INCHES



Bushing Tolerance
 $\varnothing 2.5 +0.008/+0.012$



This documents is for reference, dimensions are subject to change.

ALL RIGHTS OF THE PROJECT STRICTLY RESERVED TO DINAMICA GENERALE. REPRODUCTION OR ISSUE TO THIRD PARTIES IN ANY FORM WHATEVER IS, NOT PERMITTED WITHOUT WRITTEN AUTHORIZATION FROM DINAMICA GENERALE

INPUT +	RED
INPUT -	BLACK
OUTPUT +	GREEN
OUTPUT -	WHITE

SPECIFICATIONS	STATIC	MOBILE
RATED LOAD (LBS)	16535	11023
RATED LOAD (Kg)	7500	5000
RATED OUTPUT (mV/V)	0.83	0.55

PART CODE	CABLE LENGHT		CABLE TERMINATION
	FT	m	
969-0070	21.3	6.5	ECP

SEE DOCUMENT DGCG01 FOR ADDITIONAL CABLE INFORMATION
 SEE DOCUMENT DGMG01 FOR ADDITIONAL MOUNTING GUIDELINES

REV.	MOD.N.	DATE	SIGNATURE	DESCRIPTION	SCALE
F	A7	22/09/16	M.B.	Agg. fdm 215_16	A2
E	A6	29/10/14	M.B.	Aggiornamento protettivi	
D	A5	18/11/09	M.B.	Standardizzato valore DG	
C	A4	21/09/09	M.B.	Introdotta cavo 009-0143	
B	A3	05/05/08	M.B.	Inserita scheda universale	
A	A2	28/03/07	M.B.	Rifatto e aggiornato	1/1
UNSPECIFIED TOLLERANCES					
DATE		28/03/2007	28/03/2007	28/03/2007	± 0.02
SIGNATURE		M.BRESCIANI	A. BARBI	A. BARBI	ROUGHNESS
WEIGHT [lbs]		18.434		*REFER TO ORIGINAL DRAWING IF SIGNATURE ARE PRINTED	
DESCRIPTION					
MOBILE Load Cell DG18144/58-AY C=6.5m + ECP					
CODE		969-0070		REV.	A7
THE COPY OF THIS DRAWING MUST BE APPROVED BY DINAMICA GENERALE					

DINAMICA GENERALE
 Weight Systems
 46025 Poggio Rusco (MN)
 Via Mondadori, 15
 Tel. ++39 0386.52134
 Fax ++39 0386.51523