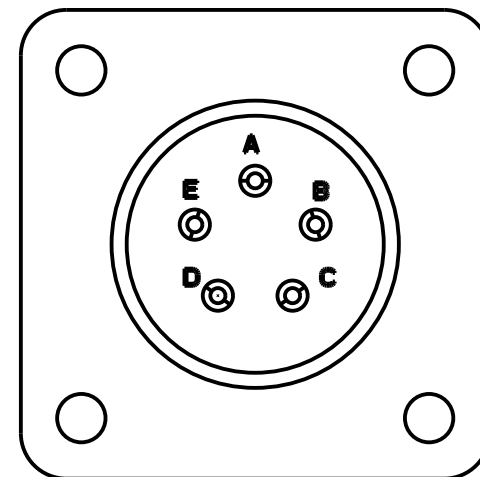
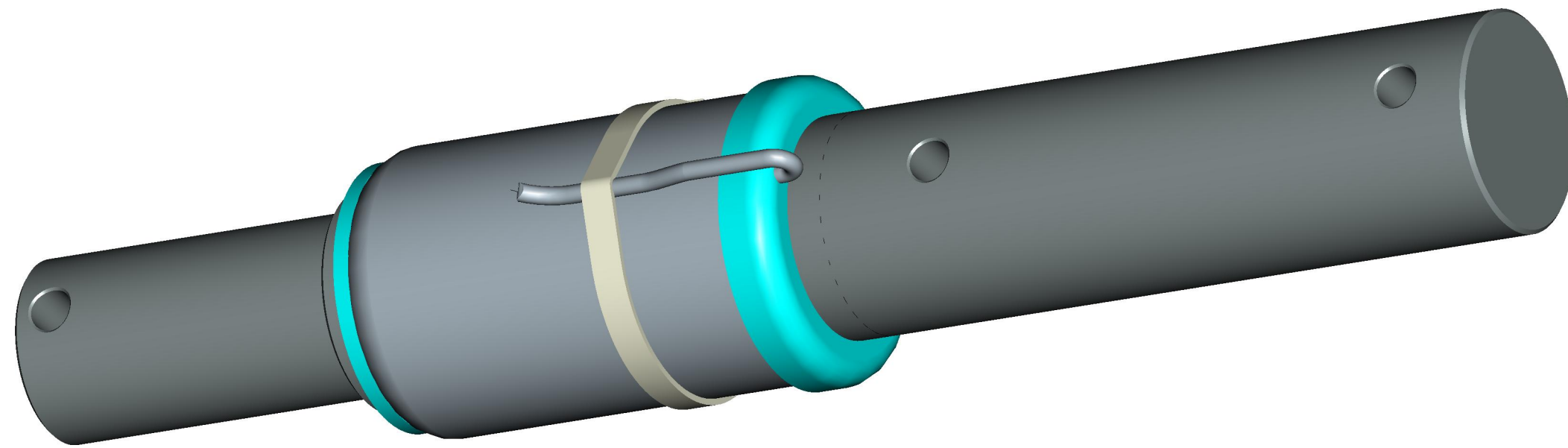


Bushing Tolerance  
 $\varnothing 54 +0.2/+0.3$



INPUT +	RED	B
INPUT -	BLACK	D
OUTPUT +	GREEN	C
OUTPUT -	WHITE	A
BRAID	YELLOW	E

SPECIFICATIONS	STATIC	MOBILE
RATED LOAD (LBS)	13559	9039
RATED LOAD (Kg)	6150	4100
RATED OUTPUT (mV/V)	1.45	0.96

PART CODE	CABLE LENGHT		CABLE TERMINATION
	FT	m	
969-0075	30.2	9.2	SPM

SEE DOCUMENT DGCG01 FOR ADDITIONAL CABLE INFORMATIONS  
 SEE DOCUMENT DGMG01 FOR ADDITIONAL MOUNTING GUIDELINES

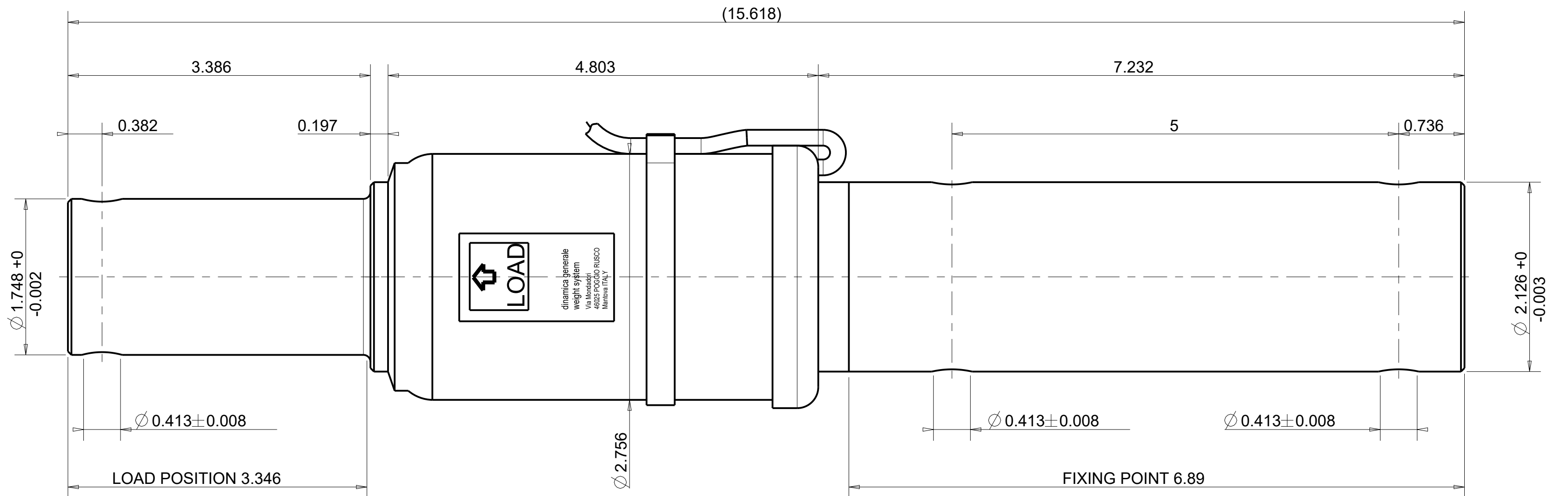
REV.	MOD.N.	DATE	SIGNATURE	DESCRIPTION	SCALE	A2		
E	A4	22/09/16	M.B.	Agg. fdm 215_16	1/1		UNSPECIFIED TOLLERANCES	
D	A3	15/05/12	M.B.	Sostituzione resina				
C	A2	14/12/10	M.B.	Sostituito cavo				
B	A1	06/03/07	M.B.	Sostituzione canotto e revisione quote				
A	A0	22/11/06	M.B.	Emissione disegno	± 0.5	ROUGHNESS -		
*DRAWN				*CHECKED			*APPROVED	
DATE				22/11/2006			22/11/2006	22/11/2006
SIGNATURE				M.BRESCIANI			A. BARBI	A. BARBI
WEIGHT [kg]				6.65		*REFER TO ORIGINAL DRAWING IF SIGNATURE ARE PRINTED		
DESCRIPTION MOBILE Load Cell DG8500/54-BK2 C=9,2m + SPM								
CODE				969-0075	REV.	A4		
THE COPY OF THIS DRAWING MUST BE APPROVED BY DINAMICA GENERALE								

This documents is for reference,  
 dimensions are subject to change.

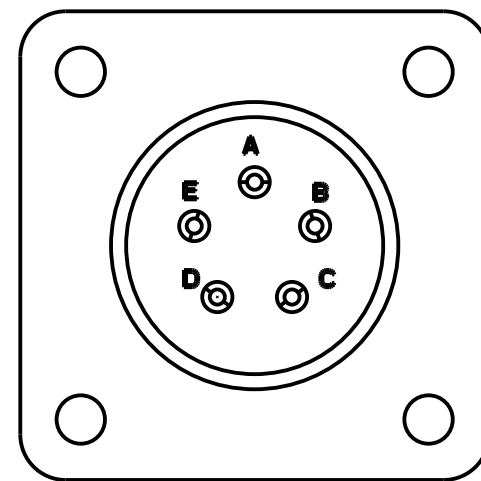
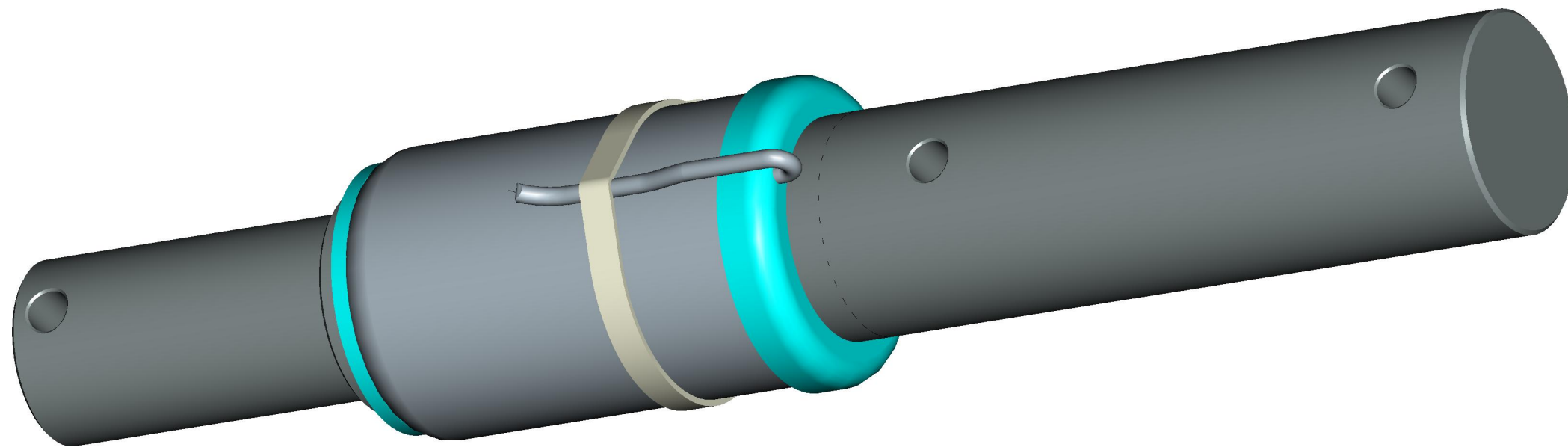
ALL RIGHTS OF THE PROJECT STRICTLY  
 RESERVED TO DINAMICA GENERALE.  
 REPRODUCTION OR ISSUE TO THIRD  
 PARTIES IN ANY FORM WHATEVER IS,  
 NOT PERMITTED WITHOUT WRITTEN  
 AUTHORIZATION FROM DINAMICA GENERALE

**DINAMICA GENERALE**  
 Weight Systems  
 46025 Poggio Rusco (MN)  
 Via Mondadori, 15  
 Tel. ++39 0386.52134  
 Fax ++39 0386.51523

MEASURES EXPRESSED IN INCHES



Bushing Tolerance  
 $\varnothing 2.126 +0.008/+0.012$



INPUT +	RED	B
INPUT -	BLACK	D
OUTPUT +	GREEN	C
OUTPUT -	WHITE	A
BRAID	YELLOW	E

SPECIFICATIONS	STATIC	MOBILE
RATED LOAD (LBS)	13559	9039
RATED LOAD (Kg)	6150	4100
RATED OUTPUT (mV/V)	1.45	0.96

PART CODE	CABLE LENGHT		CABLE TERMINATION
	FT	m	
969-0075	30.2	9.2	SPM

SEE DOCUMENT DGCG01 FOR ADDITIONAL CABLE INFORMATION  
 SEE DOCUMENT DGMG01 FOR ADDITIONAL MOUNTING GUIDELINES

REV.	MOD.N.	DATE	SIGNATURE	DESCRIPTION	SCALE	A2									
E	A4	22/09/16	M.B.	Agg. fdm 215_16	1/1	A2									
D	A3	15/05/12	M.B.	Sostituzione resina											
C	A2	14/12/10	M.B.	Sostituito cavo											
B	A1	06/03/07	M.B.	Sostituzione canotto e revisione quote											
A	A0	22/11/06	M.B.	Emissione disegno											
<table border="1"> <thead> <tr> <th>*DRAWN</th> <th>*CHECKED</th> <th>*APPROVED</th> </tr> </thead> <tbody> <tr> <td>22/11/2006</td> <td>22/11/2006</td> <td>22/11/206</td> </tr> <tr> <td>M.BRESCIANI</td> <td>A. BARBI</td> <td>A. BARBI</td> </tr> </tbody> </table>				*DRAWN	*CHECKED	*APPROVED	22/11/2006	22/11/2006	22/11/206	M.BRESCIANI	A. BARBI	A. BARBI	UNSPECIFIED TOLLERANCES		± 0.02
*DRAWN	*CHECKED	*APPROVED													
22/11/2006	22/11/2006	22/11/206													
M.BRESCIANI	A. BARBI	A. BARBI													
WEIGHT [lbs] 14.66				ROUGHNESS -											
DESCRIPTION					MOBILE Load Cell DG8500/54-BK2 C=9,2m + SPM										
CODE				969-0075	REV. A4	THE COPY OF THIS DRAWING MUST BE APPROVED BY DINAMICA GENERALE									

This documents is for reference, dimensions are subject to change.

ALL RIGHTS OF THE PROJECT STRICTLY RESERVED TO DINAMICA GENERALE. REPRODUCTION OR ISSUE TO THIRD PARTIES IN ANY FORM WHATEVER IS, NOT PERMITTED WITHOUT WRITTEN AUTHORIZATION FROM DINAMICA GENERALE

**DINAMICA GENERALE**  
 Weight Systems  
 46025 Poggio Rusco (MN)  
 Via Mondadori, 15  
 Tel. ++39 0386.52134  
 Fax ++39 0386.51523