

This documents is for reference, dimensions are subject to change.

ALL RIGHTS OF THE PROJECT STRICTLY RESERVED TO DINAMICA GENERALE. REPRODUCTION OR ISSUE TO THIRD PARTIES IN ANY FORM WHATEVER IS, NOT PERMITTED WITHOUT WRITTEN AUTHORIZATION FROM DINAMICA GENERALE

INPUT +	RED
INPUT -	BLACK
OUTPUT +	GREEN
OUTPUT -	WHITE

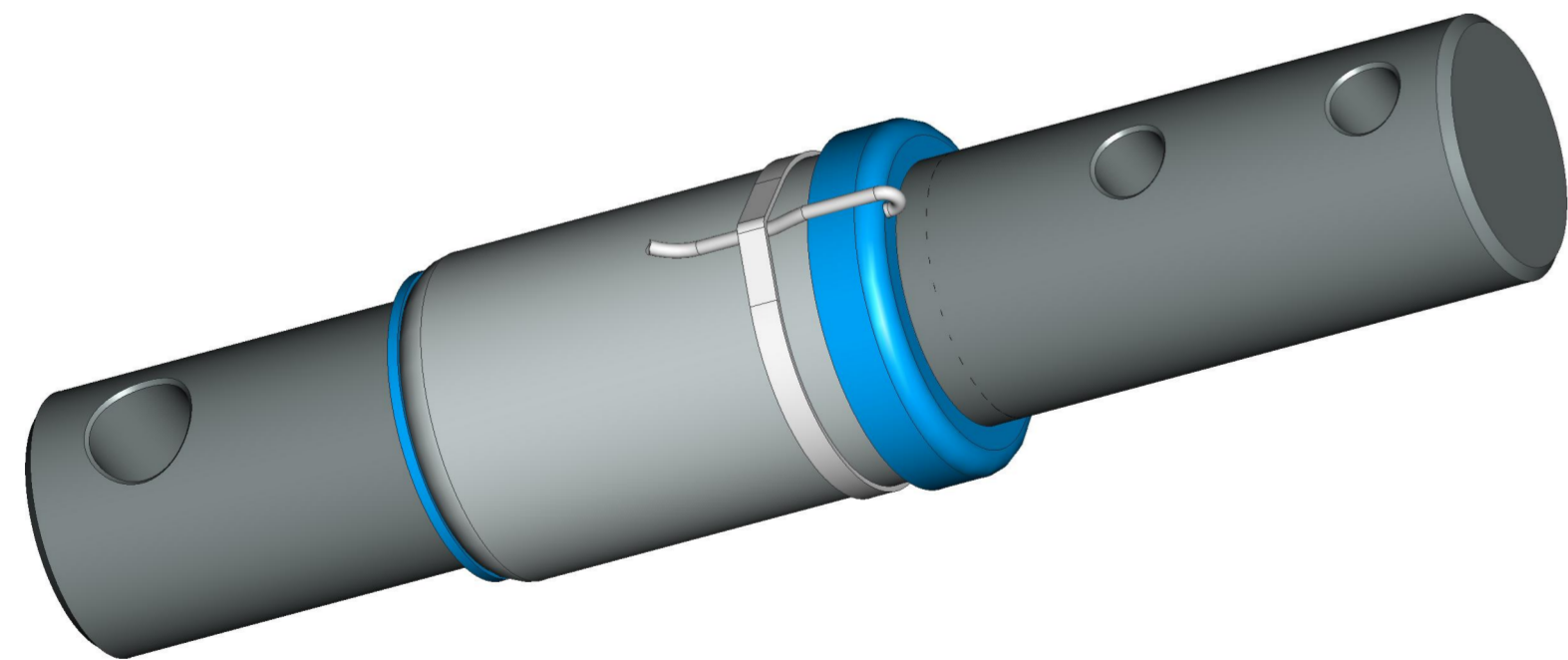
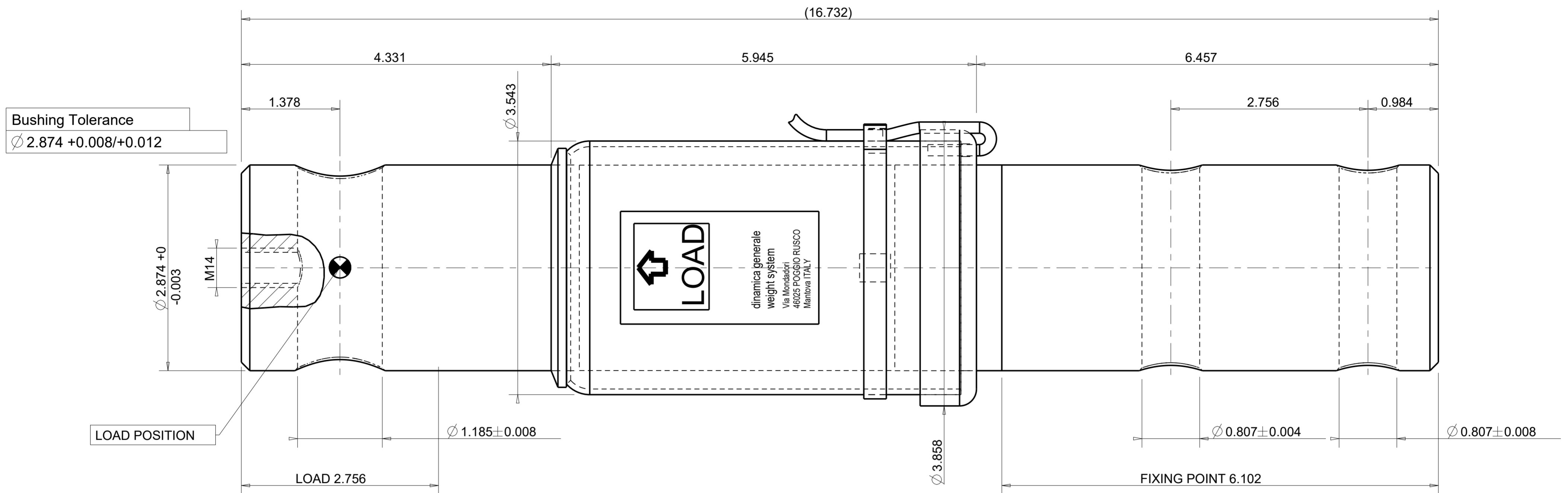
SPECIFICATIONS	STATIC	MOBILE
RATED LOAD (LBS)	24803	16535
RATED LOAD (Kg)	11250	7500
RATED OUTPUT (mV/V)	1.02	0.68

PART CODE	CABLE LENGHT		CABLE TERMINATION
	FT	m	
969-0082	19.7	6.5	ECP

SEE DOCUMENT DGCG01 FOR ADDITIONAL CABLE INFORMATION
SEE DOCUMENT DGMG01 FOR ADDITIONAL MOUNTING GUIDELINES

REV.	MOD.N.	DATE	SIGNATURE	DESCRIPTION	SCALE
D	A5	22/09/16	M.B.	Agg. fdm 215_16	A2
C	A4	29/10/14	M.B.	Aggiornamento protettivi	
B	A3	05/05/08	M.B.	Inserita scheda universale	
A	A2	02/04/07	M.B.	Aggiornato	
					1/1
					UNSPECIFIED TOLLERANCES
					± 0.5
					ROUGHNESS
 46025 Poggio Rusco (MN) Via Mondadori, 15 Tel. ++39 0386.52134 Fax ++39 0386.51523					
*DRAWN: 21/09/2005, F. Bottura *CHECKED: 21/09/2005, A. Barbi *APPROVED: 21/09/2005, A. Barbi WEIGHT [kg]: 13.426 *REFER TO ORIGINAL DRAWING IF SIGNATURE ARE PRINTED					
DESCRIPTION: MOBILE Load Cell DG22000/73-AV C=6.5m + ECP					
CODE: 969-0082					REV. A5
					THE COPY OF THIS DRAWING MUST BE APPROVED BY DINAMICA GENERALE

MEASURES EXPRESSED IN INCHES



This documents is for reference, dimensions are subject to change.

ALL RIGHTS OF THE PROJECT STRICTLY RESERVED TO DINAMICA GENERALE. REPRODUCTION OR ISSUE TO THIRD PARTIES IN ANY FORM WHATEVER IS, NOT PERMITTED WITHOUT WRITTEN AUTHORIZATION FROM DINAMICA GENERALE

INPUT +	RED
INPUT -	BLACK
OUTPUT +	GREEN
OUTPUT -	WHITE

SPECIFICATIONS	STATIC	MOBILE
RATED LOAD (LBS)	24803	16535
RATED LOAD (Kg)	11250	7500
RATED OUTPUT (mV/V)	1.02	0.68

PART CODE	CABLE LENGHT		CABLE TERMINATION
	FT	m	
969-0082	19.7	6.5	ECP

SEE DOCUMENT DGCG01 FOR ADDITIONAL CABLE INFORMATION
SEE DOCUMENT DGMG01 FOR ADDITIONAL MOUNTING GUIDELINES

REV.	MOD.N.	DATE	SIGNATURE	DESCRIPTION	SCALE
D	A5	22/09/16	M.B.	Agg. fdm 215_16	A2
C	A4	29/10/14	M.B.	Aggiornamento protettivi	
B	A3	05/05/08	M.B.	Inserita scheda universale	
A	A2	02/04/07	M.B.	Aggiornato	
UNSPECIFIED TOLLERANCES					
					1/1
					± 0.02
					ROUGHNESS
DINAMICA GENERALE Weight Systems 46025 Poggio Rusco (MN) Via Mondadori, 15 Tel. ++39 0386.52134 Fax ++39 0386.51523					
*DRAWN: 21/09/2005 *CHECKED: 21/09/2005 *APPROVED: 21/09/2005 SIGNATURE: F.Bottura, A.Barbi, A.Barbi WEIGHT [lbs]: 29.598 *REFER TO ORIGINAL DRAWING IF SIGNATURE ARE PRINTED					
DESCRIPTION: MOBILE Load Cell DG22000/73-AV C=6.5m + ECP					
CODE: 969-0082					REV. A5
					THE COPY OF THIS DRAWING MUST BE APPROVED BY DINAMICA GENERALE