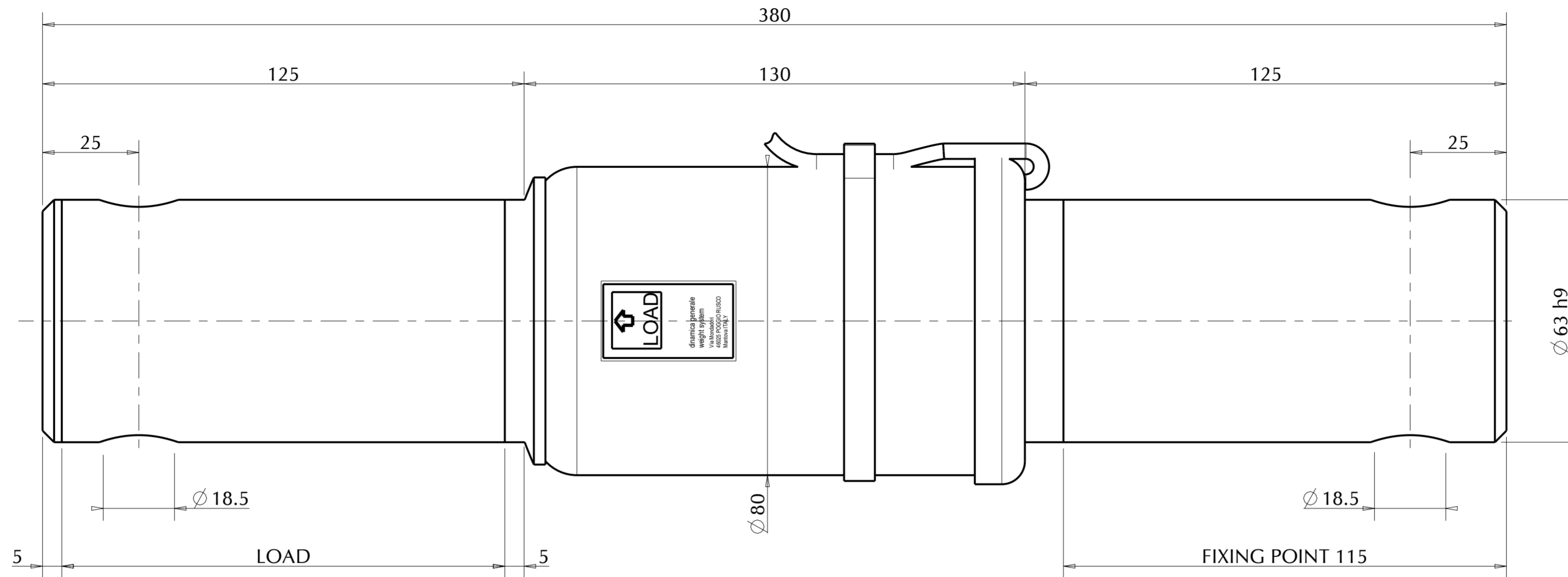


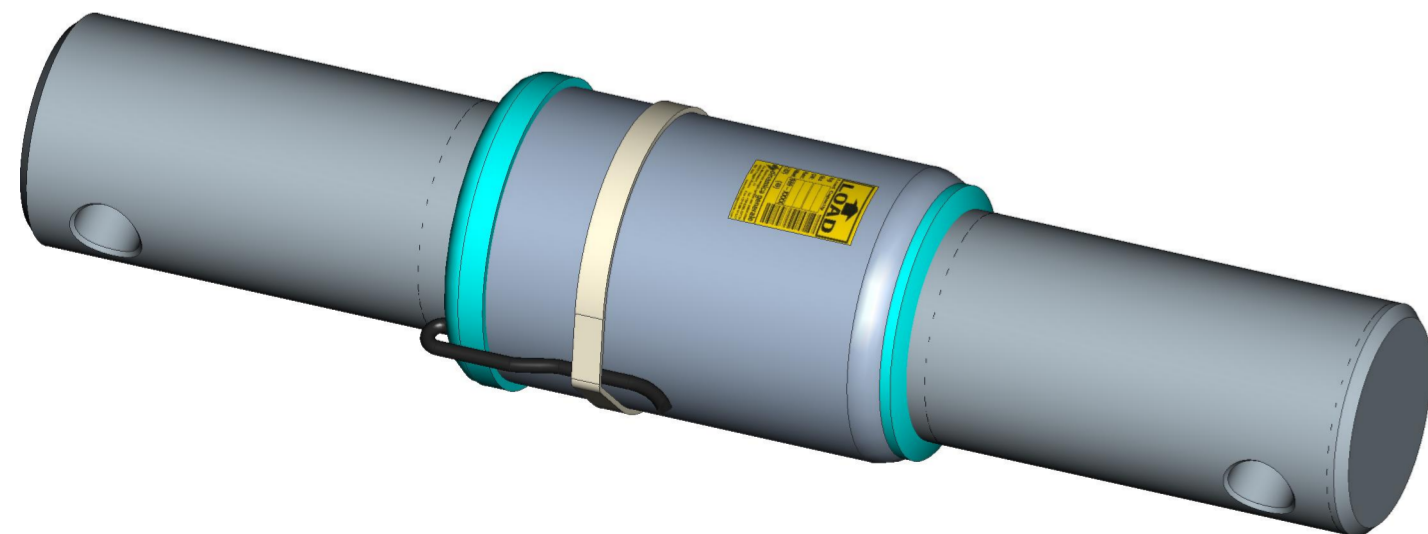
For the assembly of the load cell - screw M18 with class of resistance 8.8 DIN267

ALL RIGHTS OF THE PROJECT STRICTLY RESERVED TO DINAMICA GENERALE. REPRODUCTION OR ISSUE TO THIRD PARTIES IN ANY FORM WHATEVER IS, NOT PERMITTED WITHOUT WRITTEN AUTHORIZATION FROM DINAMICA GENERALE

This documents is for reference, dimensions are subject to change.



Bushing Tolerance
 $\varnothing 63 +0.2/+0.3$



INPUT +	RED
INPUT -	BLACK
OUTPUT +	GREEN
OUTPUT -	WHITE

SPECIFICATIONS	STATIC	MOBILE
RATED LOAD (LBS)	16535	11023
RATED LOAD (Kg)	7500	5000
RATED OUTPUT (mV/V)	1.16 ± 1%	0.77 ± 1%

RATED LOAD [KG]	5000
ZERO BALANCE [%FS]	+/- 4%
COMBINED ERROR [%FS]	±0.15
REPEATABILITY [%FS]	±0.15
OPERATING TEMPERATURE RANGE (°C)	-45/+ 70
INPUT IMPEDENCE (Ω)	360 ± 10
OUTPUT IMPEDENCE (Ω)	350 ± 1
EXCITATION (V)	5-12
INSULATION ($M\Omega$)	> = 5000
GRADE OF PROTECTION	IP 68

PART CODE	CABLE LENGHT		CABLE TERMINATION
	FT	m	
969-0083	21.3	6.5	ECP

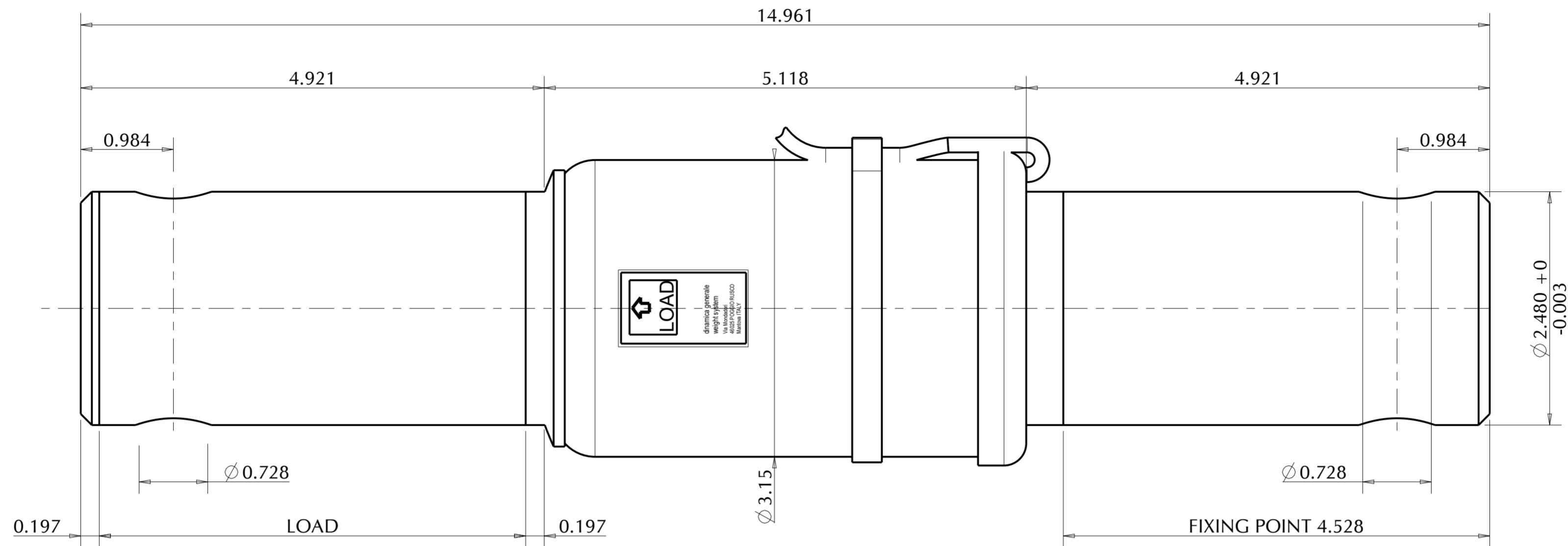
D	A3	14/04/17	M.B.	Agg. fdm 100-17	A2
C	A2	26/05/09	M.B.	Inserito cavo 009-0143	
B	A1	05/05/08	M.B.	Inserita scheda universale	SCALE 1/1
A	A0	28/02/07	M.B.	Emissione disegno	
REV.	MOD.N.	DATE	SIGNATURE	DESCRIPTION	UNSPECIFIED TOLLERANCES ±0.5
				*DRAWN: 28/02/2007 *CHECKED: 28/02/2007 *APPROVED: 28/02/2007 SIGNATURE: M.BRESCIANI, A. BARBI, A. BARBI WEIGHT [kg]: 9.348 *REFER TO ORIGINAL DRAWING IF SIGNATURE ARE PRINTED	ROUGHNESS -
46025 Poggio Rusco (MN) Via Mondadori,15 Tel. + + 39 0386.52134 Fax + + 39 0386.51523				DESCRIPTION: MOBILE Load Cell DG12954/63-AW C=6.5m + ECP CODE: 969-0083 REV.: A3	THE COPY OF THIS DRAWING MUST BE APPROVED BY DINAMICA GENERALE

MEASURES EXPRESSED IN INCHES

For the assembly of the load cell - screw M18 with class of resistance 8.8 DIN267

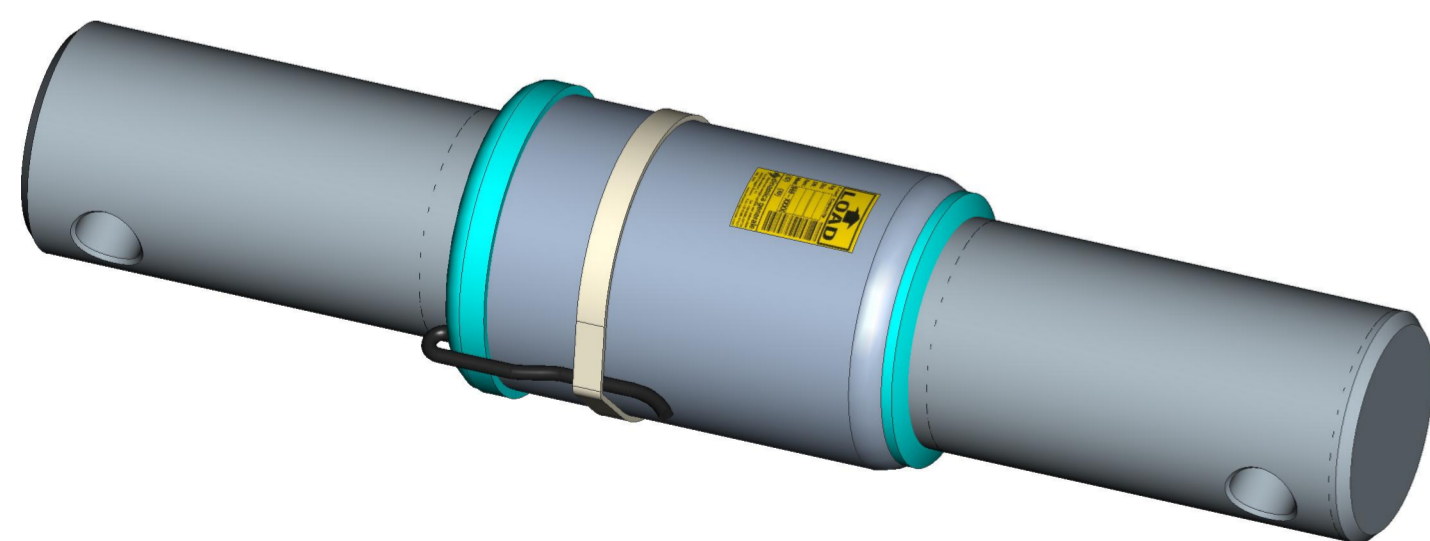
ALL RIGHTS OF THE PROJECT STRICTLY RESERVED TO DINAMICA GENERALE. REPRODUCTION OR ISSUE TO THIRD PARTIES IN ANY FORM WHATEVER IS, NOT PERMITTED WITHOUT WRITTEN AUTHORIZATION FROM DINAMICA GENERALE

This documents is for reference, dimensions are subject to change.



Bushing Tolerance

$\phi 2.48 +0.008/+0.012$



SPECIFICATIONS	STATIC	MOBILE
RATED LOAD (LBS)	16535	11023
RATED LOAD (Kg)	7500	5000
RATED OUTPUT (mV/V)	1.16±1%	0.77±1%

RATED LOAD [KG]	5000
ZERO BALANCE [%FS]	+/- 4%
COMBINED ERROR [%FS]	±0.15
REPEATABILITY [%FS]	±0.15
OPERATING TEMPERATURE RANGE (°C)	-45/+ 70
INPUT IMPEDENCE (Ω)	360± 10
OUTPUT IMPEDENCE (Ω)	350± 1
EXCITATION (V)	5-12
INSULATION ($M\Omega$)	> = 5000
GRADE OF PROTECTION	IP 68

PART CODE	CABLE LENGHT		CABLE TERMINATION
	FT	m	
969-0083	21.3	6.5	ECP

D	A3	14/04/17	M.B.	Agg. fdm 100-17	A2
C	A2	26/05/09	M.B.	Inserito cavo 009-0143	
B	A1	05/05/08	M.B.	Inserita scheda universale	SCALE
A	A0	28/02/07	M.B.	Emissione disegno	
REV.	MOD.N.	DATE	SIGNATURE	DESCRIPTION	1/1
				*DRAWN	UNSPECIFIED TOLLERANCES
				*CHECKED	
				*APPROVED	±0.02
				DATE	
				SIGNATURE	ROUGHNESS
				WEIGHT [lbs]	
				20.608	REFER TO ORIGINAL DRAWING IF SIGNATURE ARE PRINTED
				DESCRIPTION	MOBILE Load Cell DG12954/63-AW C=6.5m + ECP
				CODE	
				969-0083	REV. A3
				THE COPY OF THIS DRAWING MUST BE APPROVED BY DINAMICA GENERALE	

INPUT +	RED
INPUT -	BLACK
OUTPUT +	GREEN
OUTPUT -	WHITE