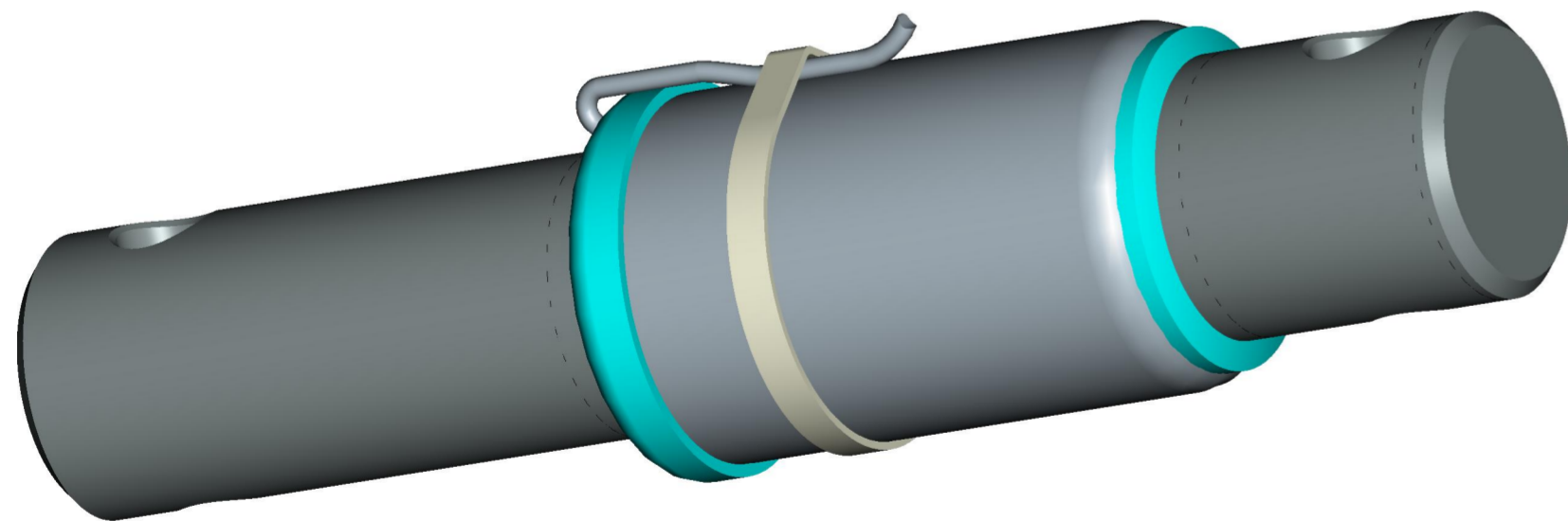


Bushing Tolerance
 $\varnothing 54 +0.2/+0.3$



This documents is for reference,
 dimensions are subject to change.

ALL RIGHTS OF THE PROJECT STRICTLY
 RESERVED TO DINAMICA GENERALE.
 REPRODUCTION OR ISSUE TO THIRD
 PARTIES IN ANY FORM WHATEVER IS,
 NOT PERMITTED WITHOUT WRITTEN
 AUTHORIZATION FROM DINAMICA GENERALE

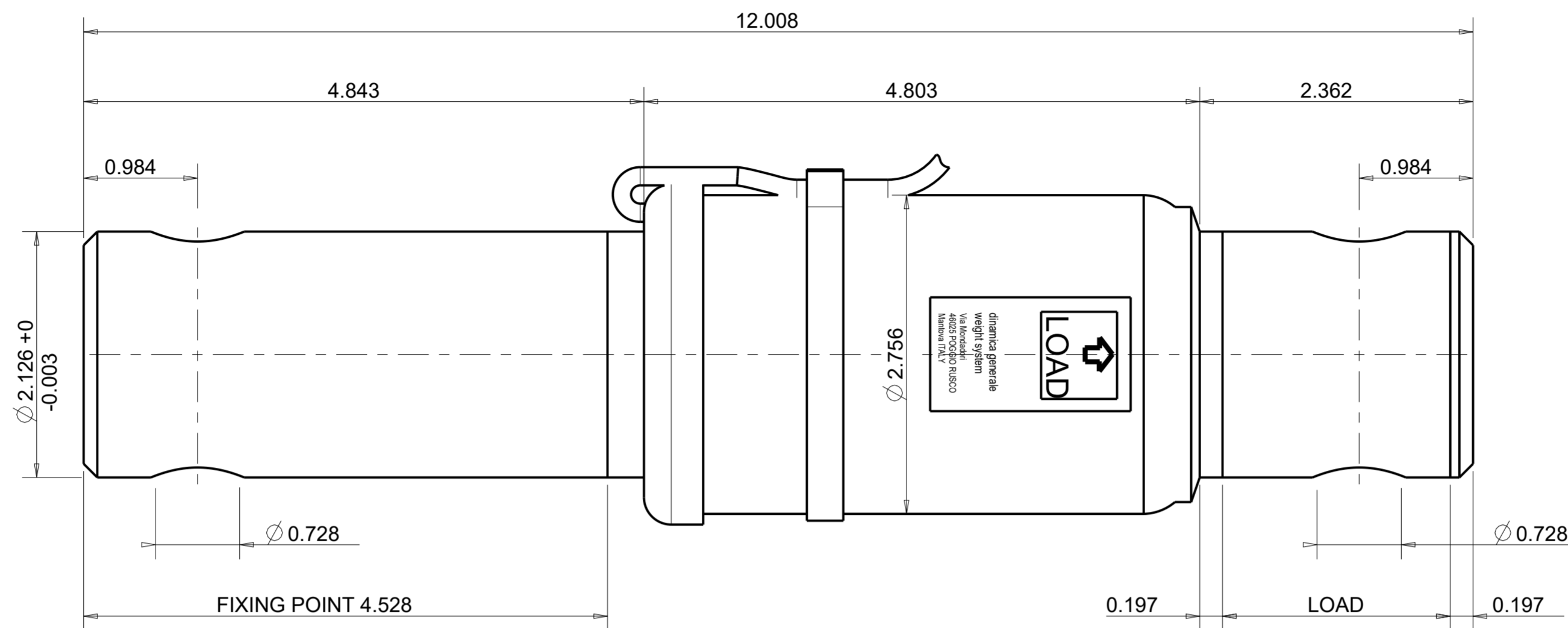
INPUT +	RED
INPUT -	BLACK
OUTPUT +	GREEN
OUTPUT -	WHITE

SPECIFICATIONS	STATIC	MOBILE
RATED LOAD (LBS)	13559	9039
RATED LOAD (Kg)	6150	4100
RATED OUTPUT (mV/V)	1.45	0.96

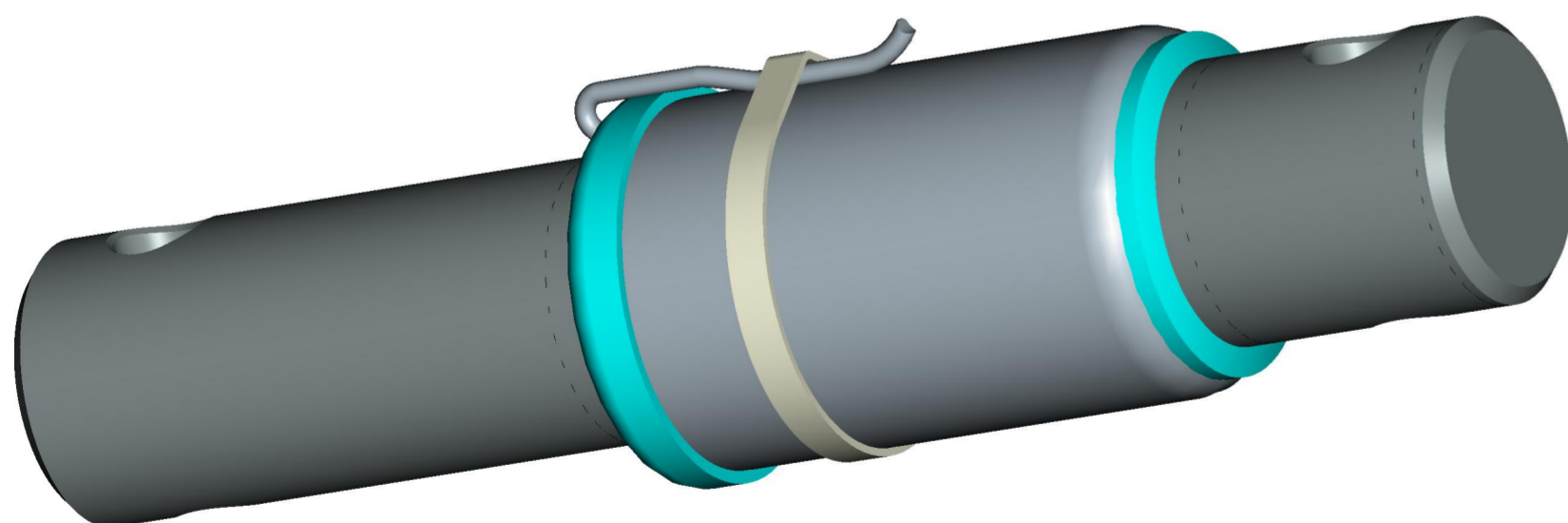
PART CODE	CABLE LENGHT		CABLE TERMINATION
	FT	m	
969-0087	21.3	6.5	ECP

REV.	MOD.N.	DATE	SIGNATURE	DESCRIPTION	SCALE	UNSPECIFIED TOLLERANCES												
E	A5	11/10/16	M.B.	Agg. fdm 234-16	1/1		A2											
D	A4	29/10/14	M.B.	Aggiornamento protettivi														
C	A3	02/11/10	M.B.	Sostituito cavo - standardizzazione codici														
B	A2	18/11/09	M.B.	Standardizzato valore DG														
A	A1	22/11/06	M.B.	Rifatto e aggiornato														
<table border="1"> <thead> <tr> <th>*DRAWN</th> <th>*CHECKED</th> <th>*APPROVED</th> </tr> </thead> <tbody> <tr> <td>DATE: 22/11/2006</td> <td>22/11/2006</td> <td>22/11/2006</td> </tr> <tr> <td>SIGNATURE: M.BRESCIANI</td> <td>A. BARBI</td> <td>A. BARBI</td> </tr> </tbody> </table>				*DRAWN	*CHECKED	*APPROVED	DATE: 22/11/2006	22/11/2006	22/11/2006	SIGNATURE: M.BRESCIANI	A. BARBI	A. BARBI	<table border="1"> <thead> <tr> <th>WEIGHT [kg]</th> <th>ROUGHNESS</th> </tr> </thead> <tbody> <tr> <td>5.356</td> <td>± 0.5</td> </tr> </tbody> </table>		WEIGHT [kg]	ROUGHNESS	5.356	± 0.5
*DRAWN	*CHECKED	*APPROVED																
DATE: 22/11/2006	22/11/2006	22/11/2006																
SIGNATURE: M.BRESCIANI	A. BARBI	A. BARBI																
WEIGHT [kg]	ROUGHNESS																	
5.356	± 0.5																	
<p>DINAMICA GENERALE Weight Systems 46025 Poggio Rusco (MN) Via Mondadori, 15 Tel. ++39 0386.52134 Fax ++39 0386.51523</p>				DESCRIPTION: MOBILE Load Cell DG8500/54-AB C=6,5m + ECP CODE: 969-0087 REV: A5		THE COPY OF THIS DRAWING MUST BE APPROVED BY DINAMICA GENERALE												

MEASURES EXPRESSED IN INCHES



Bushing Tolerance
 $\varnothing 2.126 +0.008/+0.012$



This documents is for reference, dimensions are subject to change.

ALL RIGHTS OF THE PROJECT STRICTLY RESERVED TO DINAMICA GENERALE. REPRODUCTION OR ISSUE TO THIRD PARTIES IN ANY FORM WHATEVER IS, NOT PERMITTED WITHOUT WRITTEN AUTHORIZATION FROM DINAMICA GENERALE

INPUT +	RED
INPUT -	BLACK
OUTPUT +	GREEN
OUTPUT -	WHITE

SPECIFICATIONS	STATIC	MOBILE
RATED LOAD (LBS)	13559	9039
RATED LOAD (Kg)	6150	4100
RATED OUTPUT (mV/V)	1.45	0.96

PART CODE	CABLE LENGHT		CABLE TERMINATION
	FT	m	
969-0087	21.3	6.5	ECP

REV.	MOD.N.	DATE	SIGNATURE	DESCRIPTION	SCALE
E	A5	11/10/16	M.B.	Agg. fdm 234-16	A2
D	A4	29/10/14	M.B.	Aggiornamento protettivi	
C	A3	02/11/10	M.B.	Sostituito cavo - standardizzazione codici	
B	A2	18/11/09	M.B.	Standardizzato valore DG	
A	A1	22/11/06	M.B.	Rifatto e aggiornato	
UNSPECIFIED TOLLERANCES					1/1
DATE					± 0.02
SIGNATURE					ROUGHNESS
WEIGHT [lbs]					
DESCRIPTION					
CODE					

DINAMICA GENERALE
 Weight Systems
 46025 Poggio Rusco (MN)
 Via Mondadori, 15
 Tel. ++39 0386.52134
 Fax ++39 0386.51523

*DRAWN: 22/11/2006
 *CHECKED: 22/11/2006
 *APPROVED: 22/11/2006
 M.BRESCIANI, A. BARBI, A. BARBI
 11.807
 MOBILE Load Cell DG8500/54-AB C=6,5m + ECP
 969-0087, A5

THE COPY OF THIS DRAWING MUST BE APPROVED BY DINAMICA GENERALE