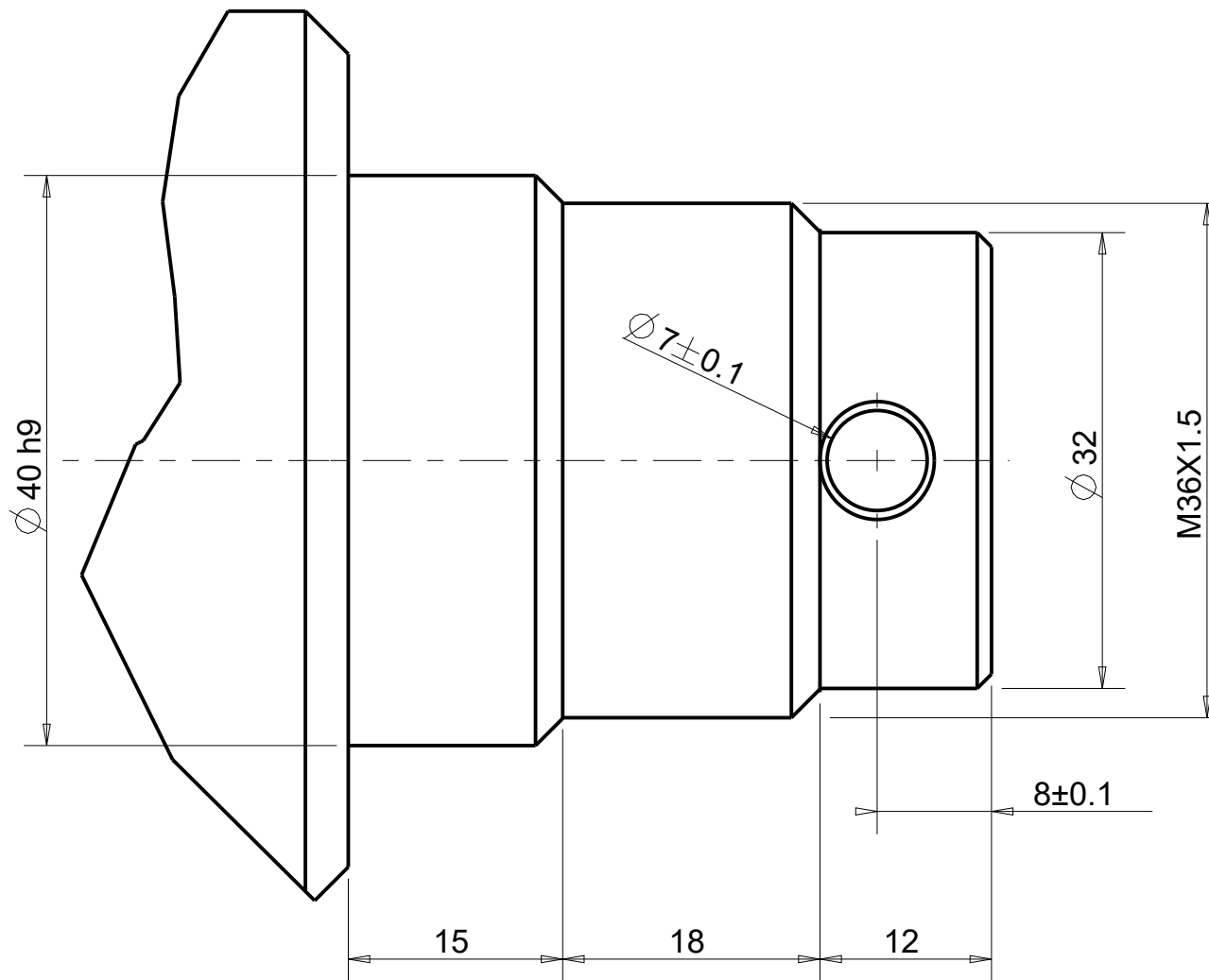
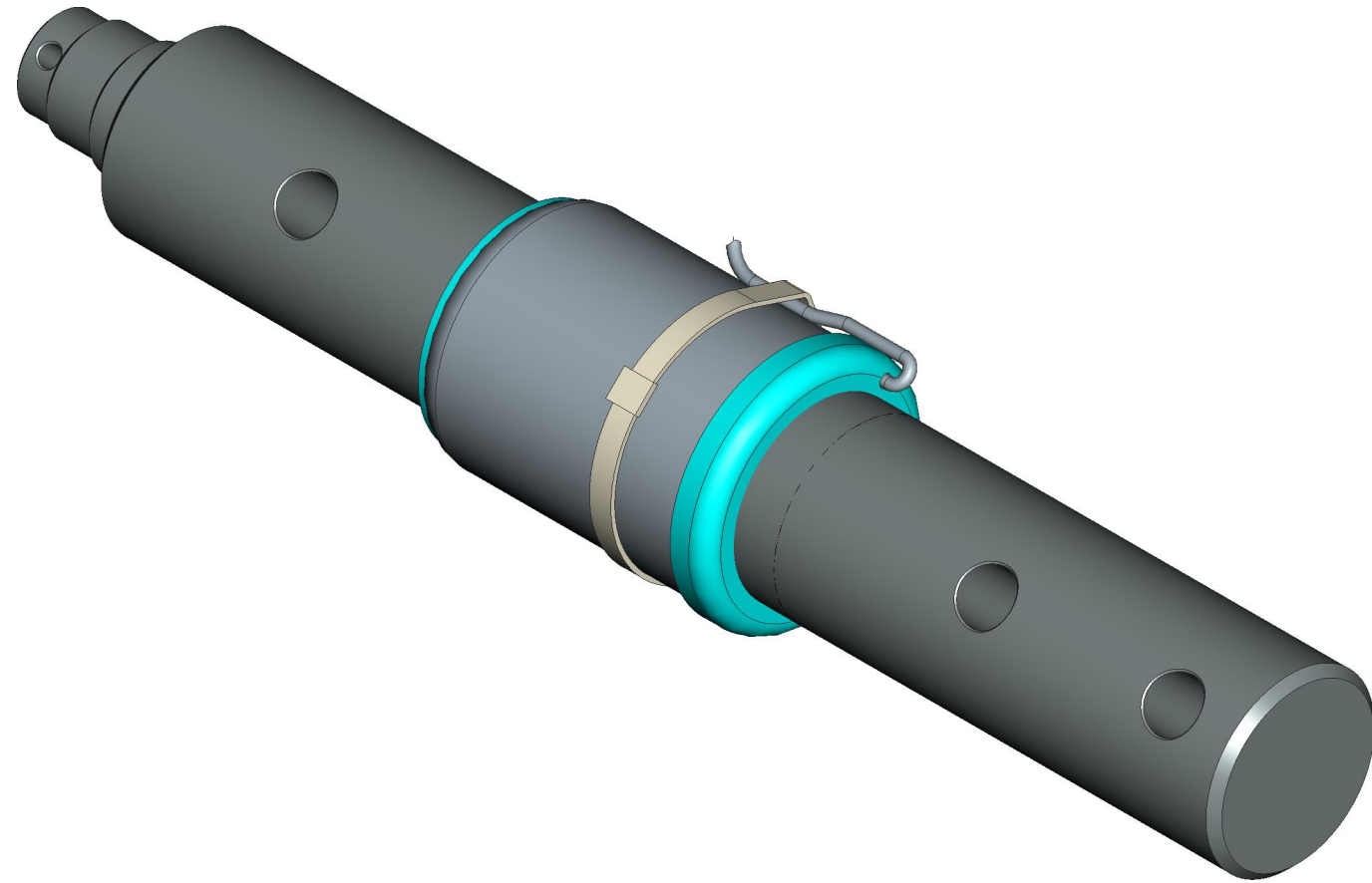


Bushing Tolerance
 $\phi 63 +0.2/+0.3$



DETTAGLIO A
 SCALA 2/1



This documents is for reference,
 dimensions are subject to change.

ALL RIGHTS OF THE PROJECT STRICTLY
 RESERVED TO DINAMICA GENERALE.
 REPRODUCTION OR ISSUE TO THIRD
 PARTIES IN ANY FORM WHATEVER IS,
 NOT PERMITTED WITHOUT WRITTEN
 AUTHORIZATION FROM DINAMICA GENERALE

INPUT +	RED
INPUT -	BLACK
OUTPUT +	GREEN
OUTPUT -	WHITE

SPECIFICATIONS	STATIC	MOBILE
RATED LOAD (LBS)	18849	12566
RATED LOAD (Kg)	8550	5700
RATED OUTPUT (mV/V)	1.20	0.80

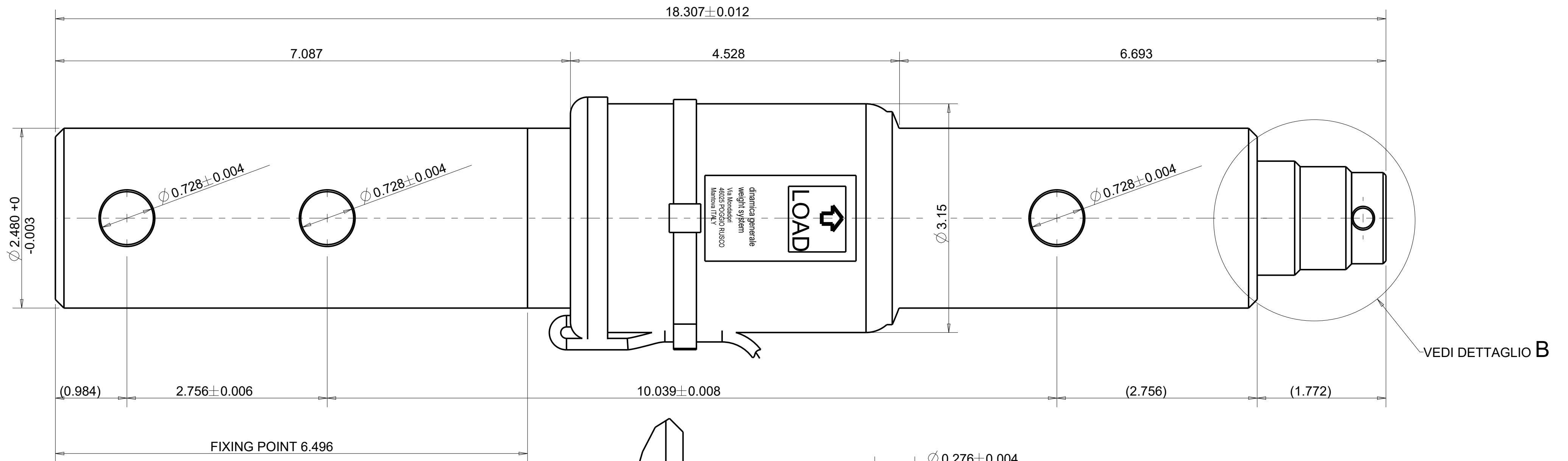
PART CODE	CABLE LENGHT		CABLE TERMINATION
	FT	m	
969-0094	30	9.2	ECP

REV.	MOD.N.	DATE	SIGNATURE	DESCRIPTION	SCALE
G	A6	15/05/17	M.B.	Sostituito codice cavo	A2
F	A5	24/02/16	M.B.	Aggiornamento fdm 39-16	
E	A4	27/10/15	M.B.	Aggiornamento processo	
D	A3	25/03/13	M.B.	Aggiornamento protettivi	
C	A2	02/12/10	M.B.	Inserita etichetta DG-PAT	
B	A1	05/05/08	M.B.	Inserita scheda universale	
A	A0	10/11/06	M.B.	Emissione disegno	1/1

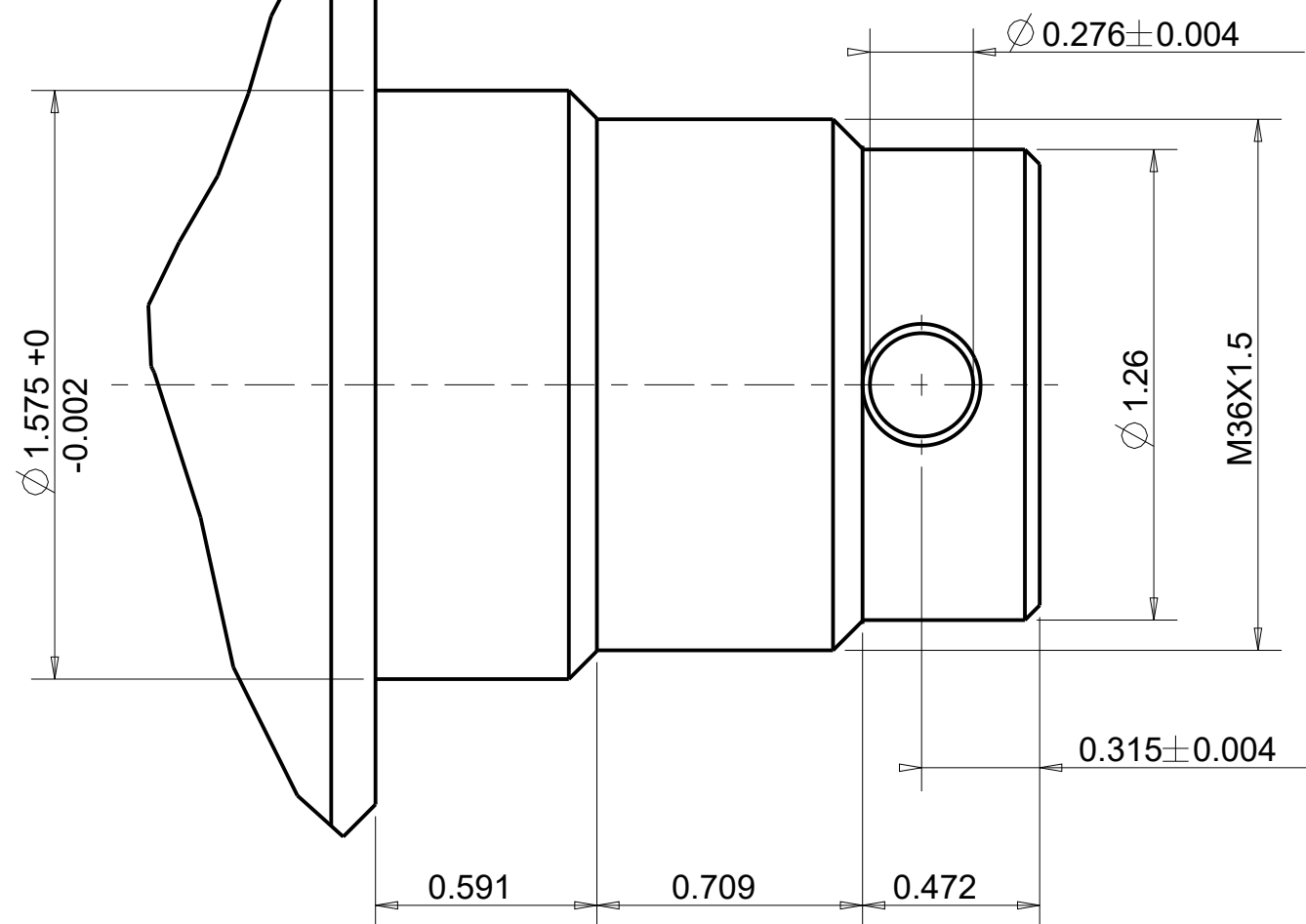
DATE	*DRAWN	*CHECKED	*APPROVED	UNSPECIFIED TOLLERANCES
	10/11/2006	10/11/2006	10/11/2006	
SIGNATURE	M.BRESCIANI	A. BARBI	A. BARBI	ROUGHNESS
WEIGHT [kg]	10.522			*REFER TO ORIGINAL DRAWING IF SIGNATURE ARE PRINTED
DESCRIPTION	Mobile Load Cell DG14250/63-BP C=9.2m			
CODE	969-0094	REV.	A6	THE COPY OF THIS DRAWING MUST BE APPROVED BY DINAMICA GENERALE

DINAMICA GENERALE
 Weight Systems
 46025 Poggio Rusco (MN)
 Via Mondadori, 15
 Tel. ++39 0386.52134
 Fax ++39 0386.51523

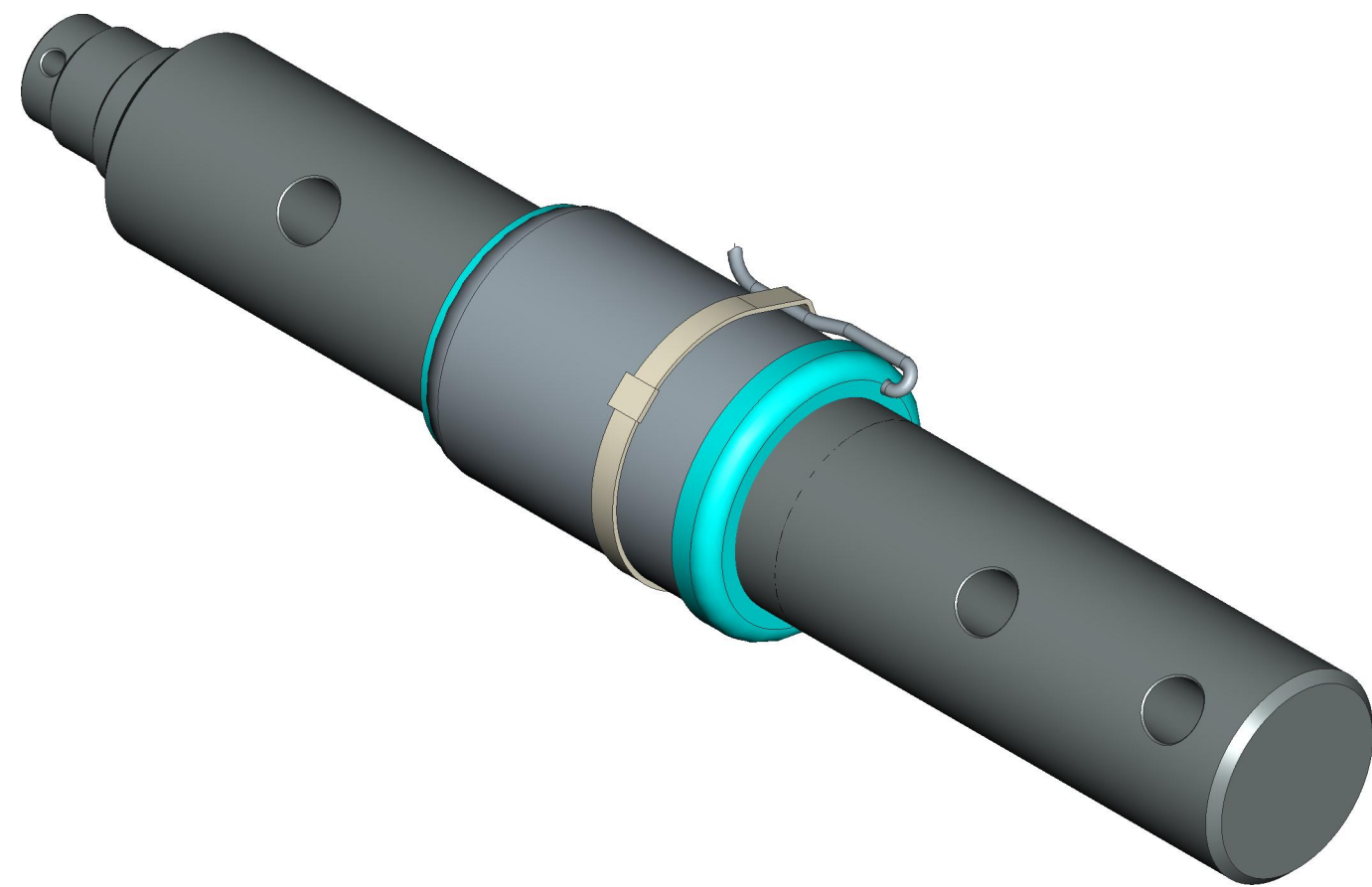
MEASURES EXPRESSED IN INCHES



Bushing Tolerance
 $\phi 2.48 +0.008/+0.012$



DETTAGLIO B
 SCALA 2/1



This documents is for reference,
 dimensions are subject to change.

ALL RIGHTS OF THE PROJECT STRICTLY
 RESERVED TO DINAMICA GENERALE.
 REPRODUCTION OR ISSUE TO THIRD
 PARTIES IN ANY FORM WHATEVER IS,
 NOT PERMITTED WITHOUT WRITTEN
 AUTHORIZATION FROM DINAMICA GENERALE

INPUT +	RED
INPUT -	BLACK
OUTPUT +	GREEN
OUTPUT -	WHITE

SPECIFICATIONS	STATIC	MOBILE
RATED LOAD (LBS)	18849	12566
RATED LOAD (Kg)	8550	5700
RATED OUTPUT (mV/V)	1.20	0.80

PART CODE	CABLE LENGHT		CABLE TERMINATION
	FT	m	
969-0094	30	9.2	ECP

REV.	MOD.N.	DATE	SIGNATURE	DESCRIPTION	SCALE
G	A6	15/05/17	M.B.	Sostituito codice cavo	A2
F	A5	24/02/16	M.B.	Aggiornamento fdm 39-16	
E	A4	27/10/15	M.B.	Aggiornamento processo	
D	A3	25/03/13	M.B.	Aggiornamento protettivi	
C	A2	02/12/10	M.B.	Inserita etichetta DG-PAT	
B	A1	05/05/08	M.B.	Inserita scheda universale	
A	A0	10/11/06	M.B.	Emissione disegno	1/1
UNSPECIFIED TOLLERANCES				± 0.02	
WEIGHT [lbs]				ROUGHNESS	
23.196				-	
DESCRIPTION					
Mobile Load Cell DG14250/63-BP C=9.2m					
CODE				REV.	
969-0094				A6	
THE COPY OF THIS DRAWING MUST BE APPROVED BY DINAMICA GENERALE					

DINAMICA GENERALE
 Weight Systems
 46025 Poggio Rusco (MN)
 Via Mondadori, 15
 Tel. ++39 0386.52134
 Fax ++39 0386.51523