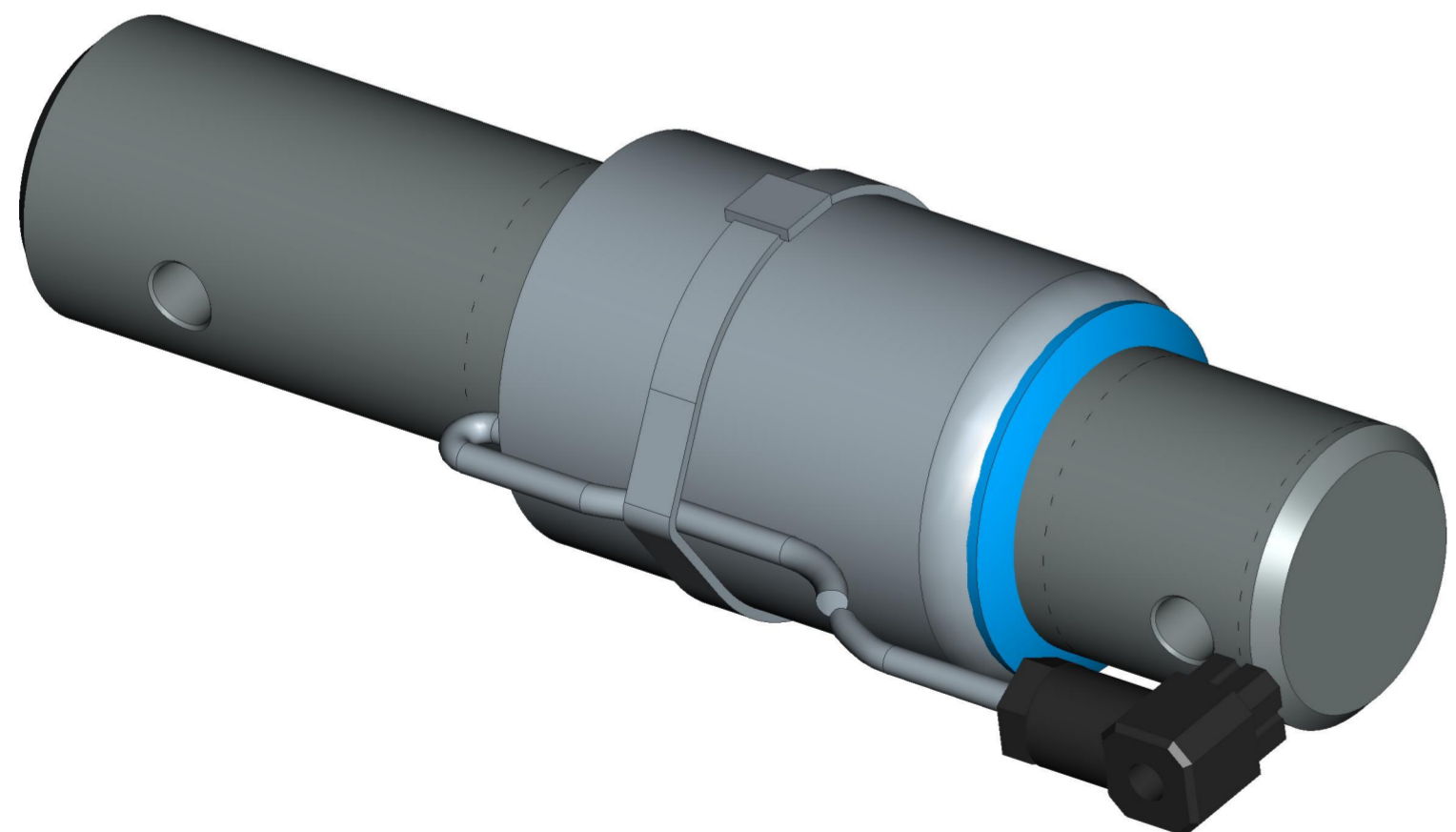
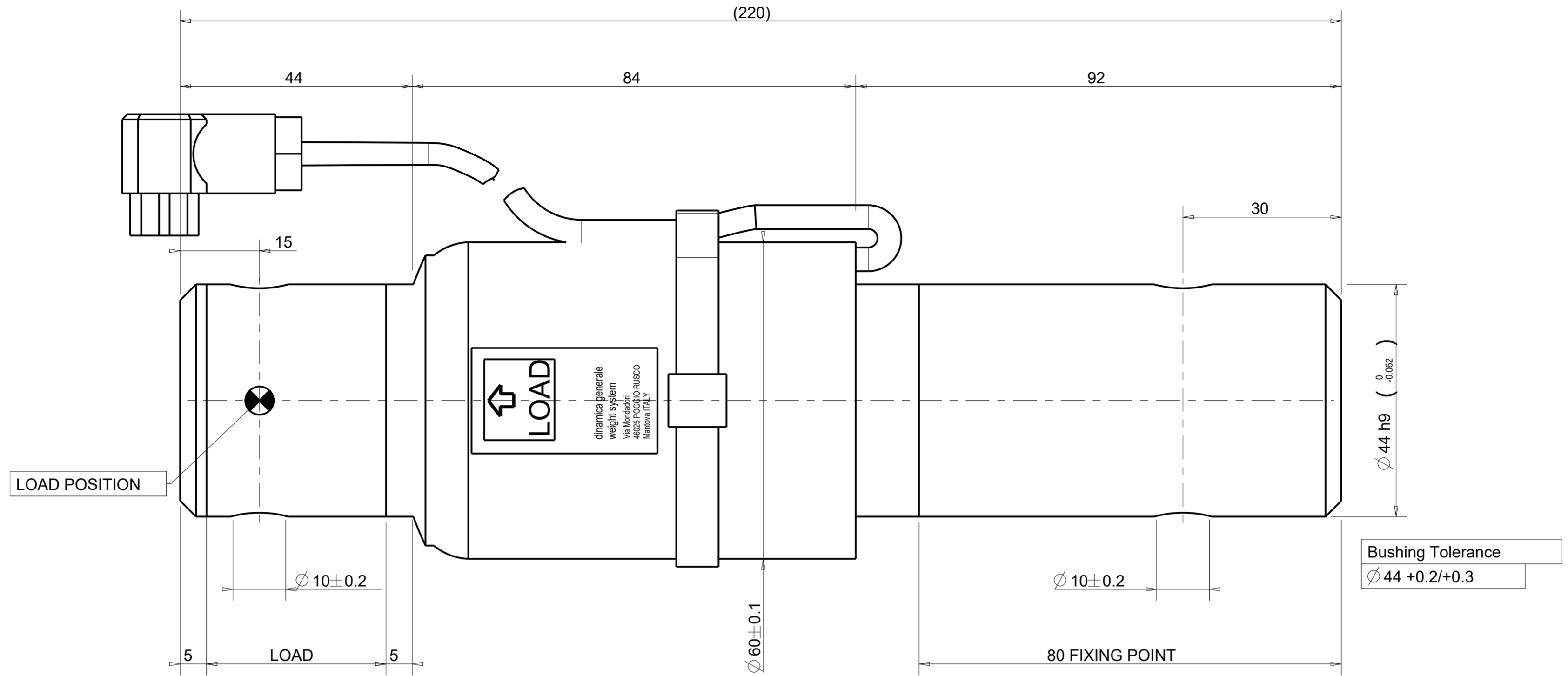


NOTE: Item not painted



This documents is for reference, dimensions are subject to change.

ALL RIGHTS OF THE PROJECT STRICTLY RESERVED TO DINAMICA GENERALE. REPRODUCTION OR ISSUE TO THIRD PARTIES IN ANY FORM WHATEVER IS, NOT PERMITTED WITHOUT WRITTEN AUTHORIZATION FROM DINAMICA GENERALE

INPUT +	RED
INPUT -	BLACK
OUTPUT +	GREEN
OUTPUT -	WHITE

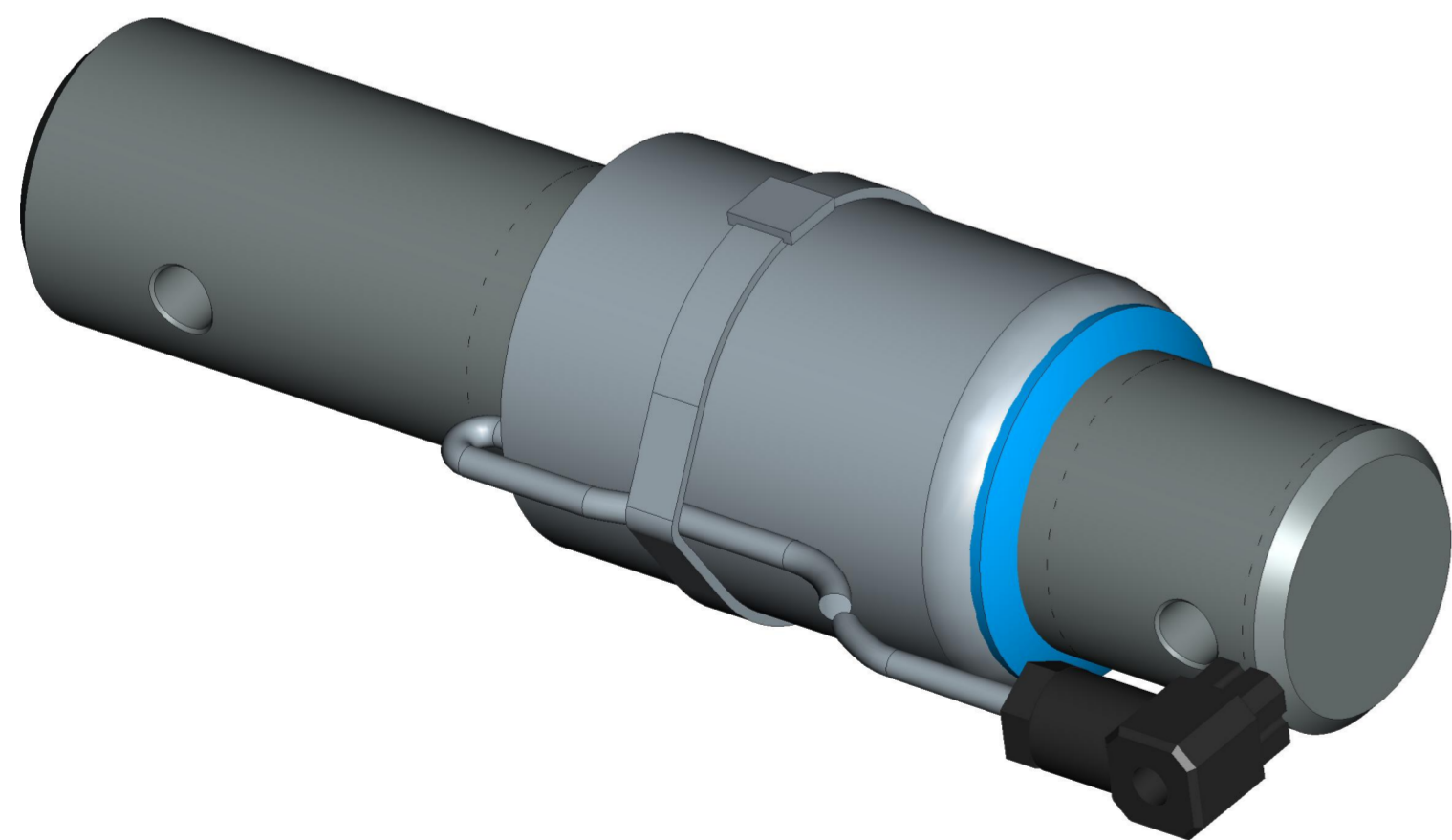
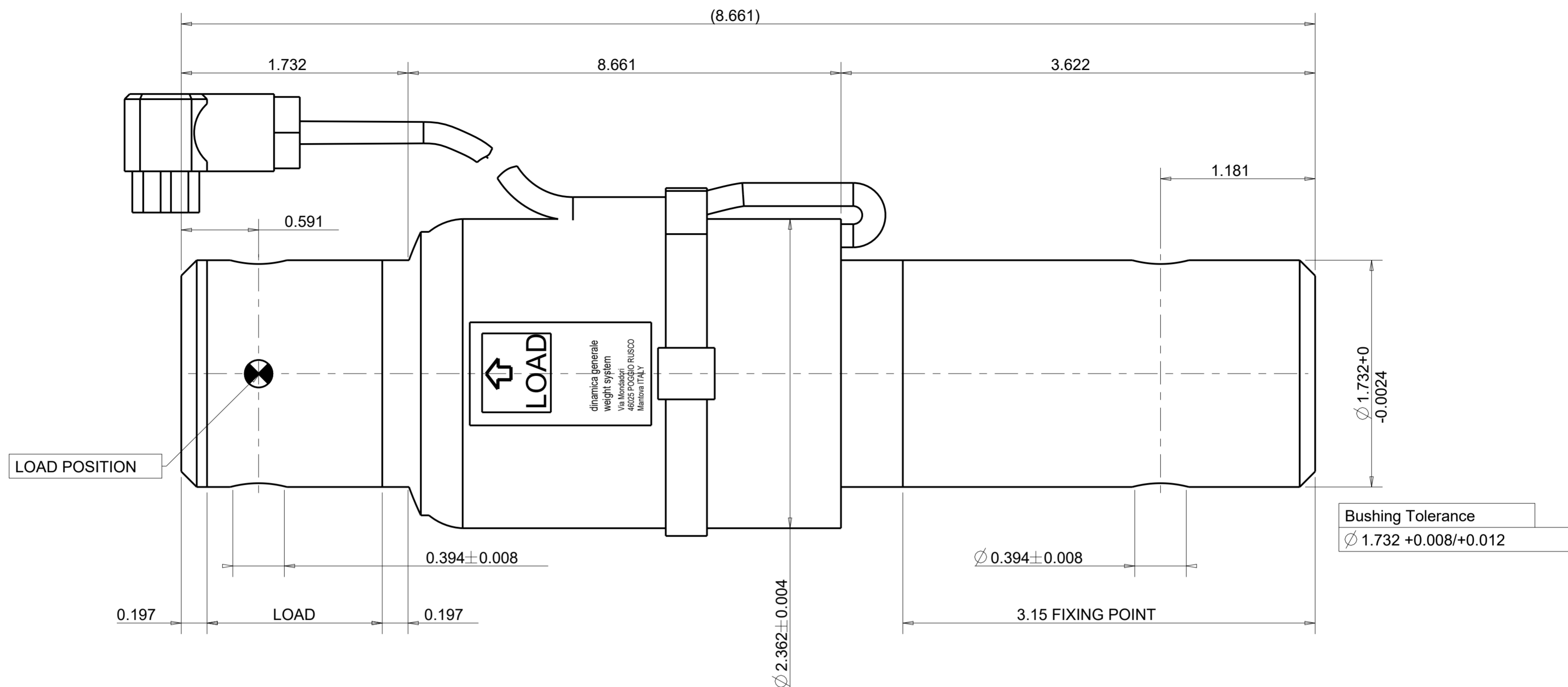
SPECIFICATIONS	STATIC	MOBILE
RATED LOAD (LBS)	13889	9259
RATED LOAD (Kg)	6300	4200
RATED OUTPUT (mV/V)	1.41	0.94

PART CODE	CABLE LENGHT		CABLE TERMINATION
	FT	m	
969-0123	13.1	4	ECP

REV.	MOD.N.	DATE	SIGNATURE	DESCRIPTION	SCALE	UNSPECIFIED TOLLERANCES
E	A4	28/04/17	M.B.	Aggiornata lunghezza cavo 4m	3/2	± 0.5
D	A3	21/11/16	M.B.	Agg. fdm 284-16		
C	A2	17/05/10	M.B.	Inserito codice cavo con guaina corrugata		
B	A1	16/01/09	M.B.	Aggiornamento circuito estensimetrico		
A	A0	02/05/08	M.B.	Emissione Disegno		
				*DRAWN: 02/05/2008 *CHECKED: 02/05/2008 *APPROVED: 02/05/2008 SIGNATURE: M.Bresciani, A.Barbi, A.Barbi WEIGHT [kg]: 2.653 *REFER TO ORIGINAL DRAWING IF SIGNATURE ARE PRINTED	ROUGHNESS: -	
46025 Poggio Rusco (MN) Via Mondadori, 15 Tel. ++39 0386.52134 Fax ++39 0386.51523				DESCRIPTION: MOBILE Load Cell DG8960/44-CC C=4m + ECP + Sheath CODE: 969-0123 REV.: A4		THE COPY OF THIS DRAWING MUST BE APPROVED BY DINAMICA GENERALE

MEASURES EXPRESSED IN INCHES

NOTE: Item not painted



This documents is for reference, dimensions are subject to change.

ALL RIGHTS OF THE PROJECT STRICTLY RESERVED TO DINAMICA GENERALE. REPRODUCTION OR ISSUE TO THIRD PARTIES IN ANY FORM WHATEVER IS, NOT PERMITTED WITHOUT WRITTEN AUTHORIZATION FROM DINAMICA GENERALE

INPUT +	RED
INPUT -	BLACK
OUTPUT +	GREEN
OUTPUT -	WHITE

SPECIFICATIONS	STATIC	MOBILE
RATED LOAD (LBS)	13889	9259
RATED LOAD (Kg)	6300	4200
RATED OUTPUT (mV/V)	1.41	0.94

PART CODE	CABLE LENGHT		CABLE TERMINATION
	FT	m	
969-0123	13.1	4	ECP

REV.	MOD.N.	DATE	SIGNATURE	DESCRIPTION	SCALE	UNSPECIFIED TOLLERANCES
E	A4	28/04/17	M.B.	Aggiornata lunghezza cavo 4m	A2	3/2
D	A3	21/11/16	M.B.	Agg. fdm 284-16		
C	A2	17/05/10	M.B.	Inserito codice cavo con guaina corrugata		
B	A1	16/01/09	M.B.	Aggiornamento circuito estensimetrico		
A	A0	02/05/08	M.B.	Emissione Disegno	± 0.02	ROUGHNESS -
				*DRAWN: 02/05/2008, M.Bresciani *CHECKED: 02/05/2008, A.Barbi *APPROVED: 02/05/2008, A.Barbi WEIGHT [lbs]: 5.849 *REFER TO ORIGINAL DRAWING IF SIGNATURE ARE PRINTED		
46025 Poggio Rusco (MN) Via Mondadori, 15 Tel. ++39 0386.52134 Fax ++39 0386.51523				DESCRIPTION: MOBILE Load Cell DG8960/44-CC C=4m + ECP + Sheath CODE: 969-0123 REV: A4 THE COPY OF THIS DRAWING MUST BE APPROVED BY DINAMICA GENERALE		