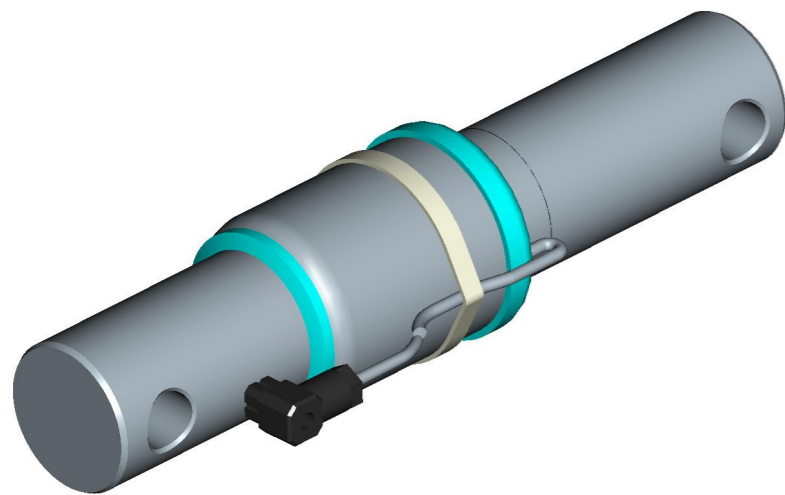


Bushing Tolerance

∅ 54 +0.2/+0.3



This documents is for reference, dimensions are subject to change.

ALL RIGHTS OF THE PROJECT STRICTLY RESERVED TO DINAMICA GENERALE. REPRODUCTION OR ISSUE TO THIRD PARTIES IN ANY FORM WHATEVER IS, NOT PERMITTED WITHOUT WRITTEN AUTHORIZATION FROM DINAMICA GENERALE

SPECIFICATIONS	STATIC	MOBILE
RATED LOAD (LBS)	9921	6614
RATED LOAD (Kg)	4500	3000
RATED OUTPUT (mV/V)	0.496	0.331

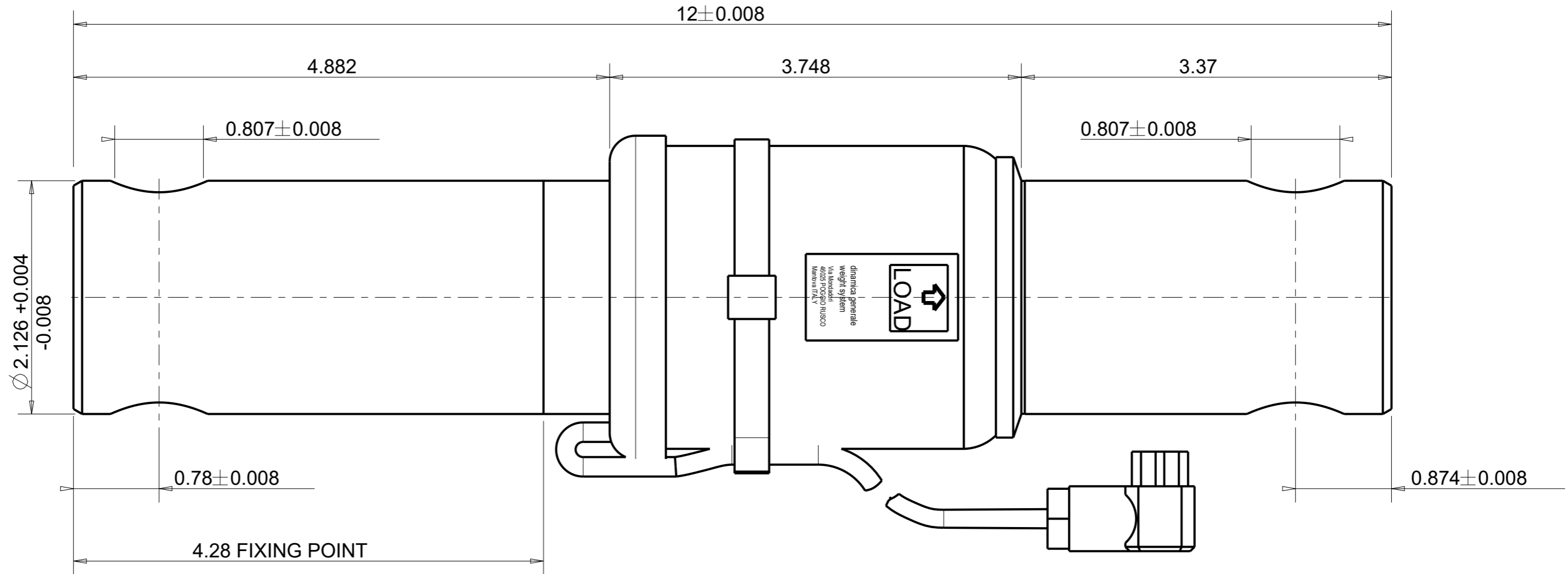
INPUT +	RED
INPUT -	BLACK
OUTPUT +	GREEN
OUTPUT -	WHITE

PART CODE	CABLE LENGHT		CABLE TERMINATION
	FT	m	
969-0133	13.1	4	Wires

SEE DOCUMENT DGCG01 FOR ADDITIONAL CABLE INFORMATION
SEE DOCUMENT DGMG01 FOR ADDITIONAL MOUNTING GUIDELINES

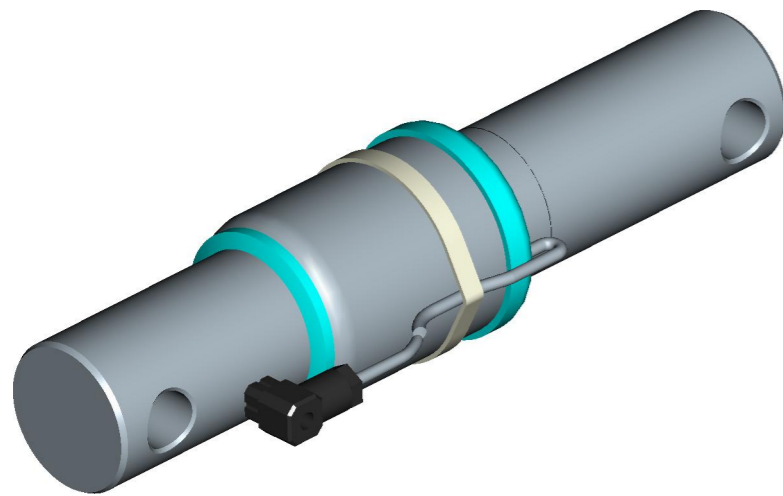
C	A2	28/04/17	M.B.	Aggiornata lunghezza cavo 4m + HG	 SCALE A3
B	A1	23/04/14	M.B.	Agg. tolleranze fdm 128/14	
A	A0	31/10/08	M.B.	Emissione disegno	
REV.	MOD.N.	DATE	SIGNATURE	DESCRIPTION	1/1
 DINAMICA GENERALE Weight Systems				*DRAWN: 31/10/2008 *CHECKED: 31/10/2008 *APPROVED: 31/10/2008	UNSPECIFIED TOLERANCES ± 0.5
46025 Poggio Rusco (MN) Via Mondadori, 15 Tel. ++39 0386.52134 Fax ++39 0386.51523				SIGNATURE: M.BRESCIANI, A. BARBI, A. BARBI WEIGHT [kg]: 5.285 *REFER TO ORIGINAL DRAWING IF SIGNATURE ARE PRINTED	ROUGHNESS
DESCRIPTION: MOBILE Load Cell DG18144/54-CD C=4m + Wires					
CODE: 969-0133			REV. A2	THE COPY OF THIS DRAWING MUST BE APPROVED BY DINAMICA GENERALE	

MEASURES EXPRESSED IN INCHES



Bushing Tolerance

∅ 2.126 +0.008/+0.012



This documents is for reference, dimensions are subject to change.

ALL RIGHTS OF THE PROJECT STRICTLY RESERVED TO DINAMICA GENERALE. REPRODUCTION OR ISSUE TO THIRD PARTIES IN ANY FORM WHATEVER IS, NOT PERMITTED WITHOUT WRITTEN AUTHORIZATION FROM DINAMICA GENERALE

INPUT +	RED
INPUT -	BLACK
OUTPUT +	GREEN
OUTPUT -	WHITE

SPECIFICATIONS	STATIC	MOBILE
RATED LOAD (LBS)	9921	6614
RATED LOAD (Kg)	4500	3000
RATED OUTPUT (mV/V)	0.496	0.331

PART CODE	CABLE LENGHT		CABLE TERMINATION
	FT	m	
969-0133	13.1	4	Wires

SEE DOCUMENT DGCG01 FOR ADDITIONAL CABLE INFORMATION
SEE DOCUMENT DGMG01 FOR ADDITIONAL MOUNTING GUIDELINES

REV.	MOD.N.	DATE	SIGNATURE	DESCRIPTION	SCALE																
C	A2	28/04/17	M.B.	Aggiornata lunghezza cavo 4m + HG	A3																
B	A1	23/04/14	M.B.	Agg. tolleranze fdm 128/14																	
A	A0	31/10/08	M.B.	Emissione disegno																	
1/1																					
<table border="1"> <tr> <td>*DRAWN</td> <td>*CHECKED</td> <td>*APPROVED</td> <td>UNSPECIFIED TOLERANCES</td> </tr> <tr> <td>DATE</td> <td>31/10/2008</td> <td>31/10/2008</td> <td>31/10/2008</td> </tr> <tr> <td>SIGNATURE</td> <td>M.BRESCIANI</td> <td>A. BARBI</td> <td>A. BARBI</td> </tr> <tr> <td>WEIGHT [lb]</td> <td colspan="2">11.65</td> <td>*REFER TO ORIGINAL DRAWING IF SIGNATURE ARE PRINTED</td> </tr> </table>					*DRAWN	*CHECKED	*APPROVED	UNSPECIFIED TOLERANCES	DATE	31/10/2008	31/10/2008	31/10/2008	SIGNATURE	M.BRESCIANI	A. BARBI	A. BARBI	WEIGHT [lb]	11.65		*REFER TO ORIGINAL DRAWING IF SIGNATURE ARE PRINTED	± 0.02
*DRAWN	*CHECKED	*APPROVED	UNSPECIFIED TOLERANCES																		
DATE	31/10/2008	31/10/2008	31/10/2008																		
SIGNATURE	M.BRESCIANI	A. BARBI	A. BARBI																		
WEIGHT [lb]	11.65		*REFER TO ORIGINAL DRAWING IF SIGNATURE ARE PRINTED																		
DINAMICA GENERALE Weight Systems 46025 Poggio Rusco (MN) Via Mondadori, 15 Tel. ++39 0386.52134 Fax ++39 0386.51523					ROUGHNESS																
DESCRIPTION																					
MOBILE Load Cell DG18144/54-CD C=4m + Wires																					
CODE			969-0133	REV.	A2																
					THE COPY OF THIS DRAWING MUST BE APPROVED BY DINAMICA GENERALE																