

This documents is for reference, dimensions are subject to change.

ALL RIGHTS OF THE PROJECT STRICTLY RESERVED TO DINAMICA GENERALE. REPRODUCTION OR ISSUE TO THIRD PARTIES IN ANY FORM WHATEVER IS, NOT PERMITTED WITHOUT WRITTEN AUTHORIZATION FROM DINAMICA GENERALE

INPUT +	RED
INPUT -	BLACK
OUTPUT +	GREEN
OUTPUT -	WHITE

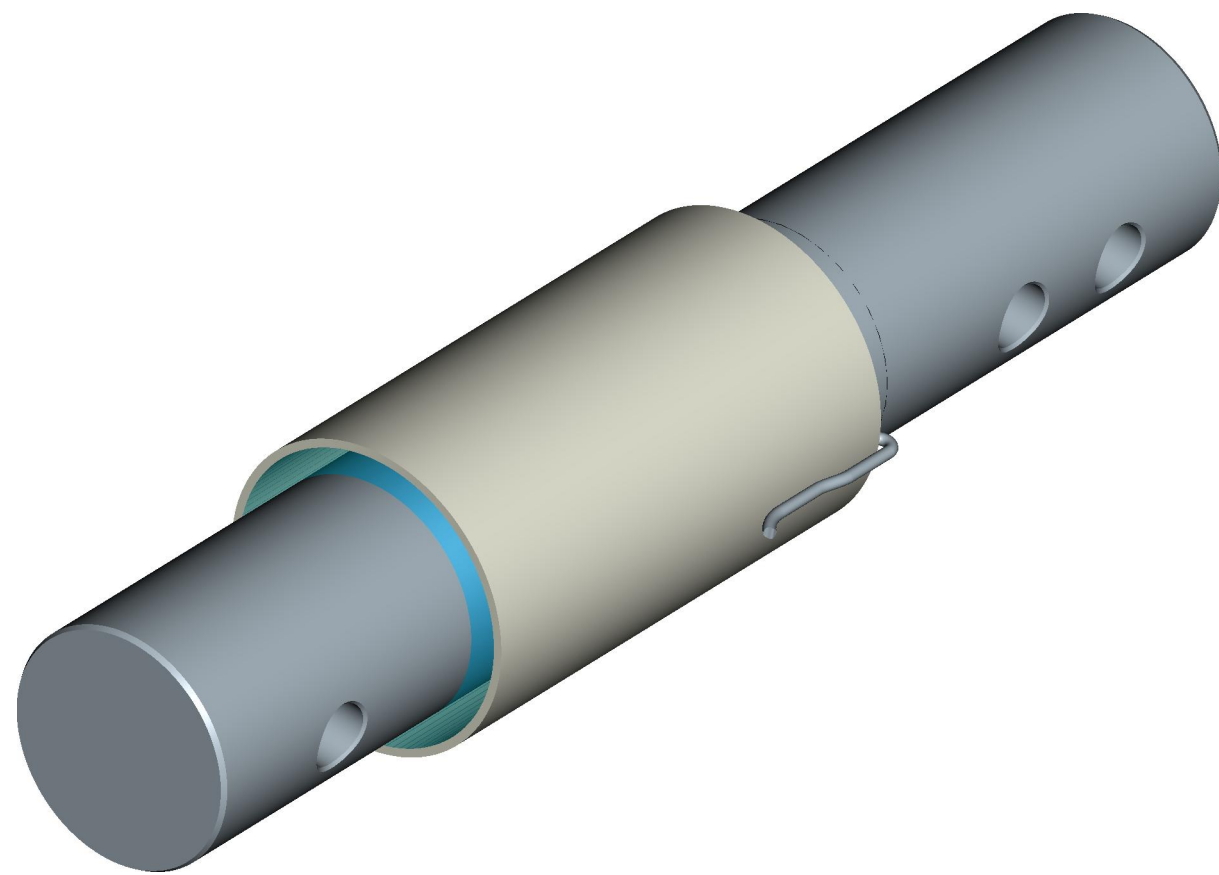
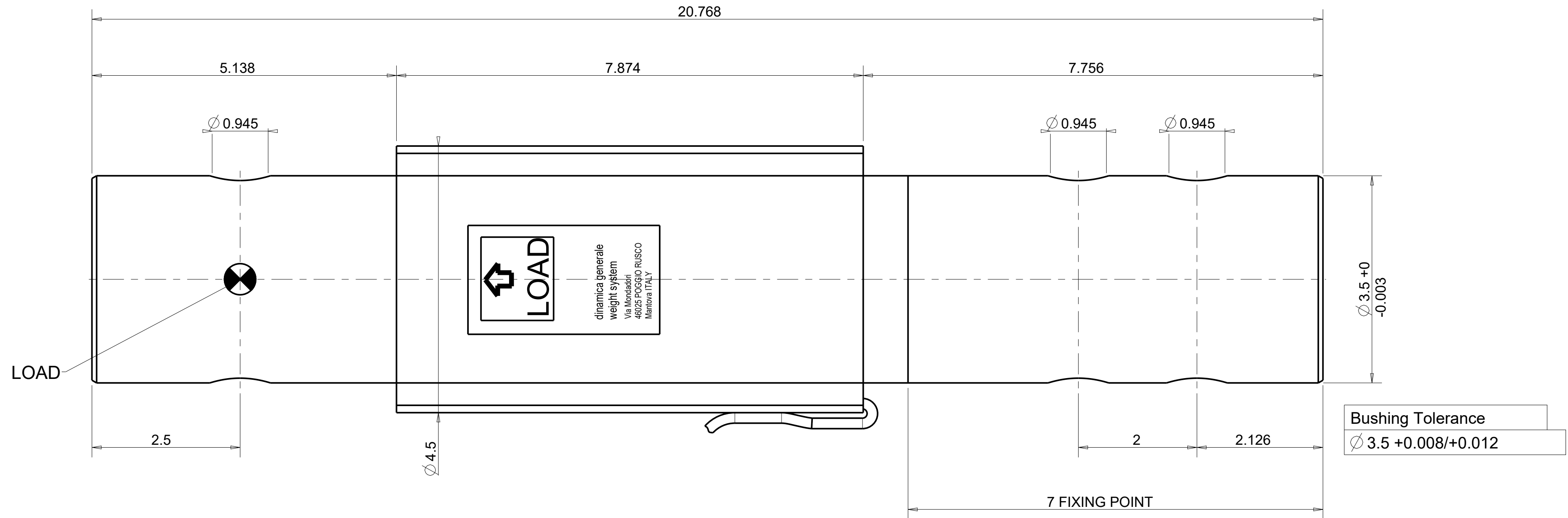
SPECIFICATIONS	STATIC	MOBILE
RATED LOAD (LBS)	33069	22046
RATED LOAD (Kg)	15000	10000
RATED OUTPUT (mV/V)	1.653	1.102

PART CODE	CABLE LENGHT		CABLE TERMINATION
	FT	m	
969-0135	21.3	6.5	Wires

REV.	MOD.N.	DATE	SIGNATURE	DESCRIPTION	SCALE
C	A2	14/04/17	M.B.	Agg. fdm 100/17	A2
B	A1	08/01/15	M.B.	Imm. produzione + agg. componenti	
A	A0	31/10/08	M.B.	Emissione disegno	
UNSPECIFIED TOLLERANCES					
3/4					
ROUGHNESS					
*REFER TO ORIGINAL DRAWING IF SIGNATURE ARE PRINTED					
DESCRIPTION					
MOBILE Load Cell DG18144/89-CF C=6.5m + Wires					
CODE					
			969-0135	A2	THE COPY OF THIS DRAWING MUST BE APPROVED BY DINAMICA GENERALE

DINAMICA GENERALE
Weight Systems
46025 Poggio Rusco (MN)
Via Mondadori, 15
Tel. ++39 0386.52134
Fax ++39 0386.51523

MEASURES EXPRESSED IN INCHES



This documents is for reference, dimensions are subject to change.

ALL RIGHTS OF THE PROJECT STRICTLY RESERVED TO DINAMICA GENERALE. REPRODUCTION OR ISSUE TO THIRD PARTIES IN ANY FORM WHATEVER IS, NOT PERMITTED WITHOUT WRITTEN AUTHORIZATION FROM DINAMICA GENERALE

INPUT +	RED
INPUT -	BLACK
OUTPUT +	GREEN
OUTPUT -	WHITE

SPECIFICATIONS	STATIC	MOBILE
RATED LOAD (LBS)	33069	22046
RATED LOAD (Kg)	15000	10000
RATED OUTPUT (mV/V)	1.653	1.102

PART CODE	CABLE LENGHT		CABLE TERMINATION
	FT	m	
969-0135	21.3	6.5	Wires

REV.	MOD.N.	DATE	SIGNATURE	DESCRIPTION	SCALE
C	A2	14/04/17	M.B.	Agg. fdm 100/17	A2
B	A1	08/01/15	M.B.	Imm. produzione + agg. componenti	
A	A0	31/10/08	M.B.	Emissione disegno	
UNSPECIFIED TOLLERANCES					
3/4					
ROUGHNESS					
*REFER TO ORIGINAL DRAWING IF SIGNATURE ARE PRINTED					
DESCRIPTION					
MOBILE Load Cell DG18144/89-CF C=6.5m + Wires					
CODE					
			969-0135	A2	THE COPY OF THIS DRAWING MUST BE APPROVED BY DINAMICA GENERALE


DINAMICA GENERALE
 Weight Systems
 46025 Poggio Rusco (MN)
 Via Mondadori, 15
 Tel. ++39 0386.52134
 Fax ++39 0386.51523