

This documents is for reference, dimensions are subject to change.

ALL RIGHTS OF THE PROJECT STRICTLY RESERVED TO DINAMICA GENERALE. REPRODUCTION OR ISSUE TO THIRD PARTIES IN ANY FORM WHATEVER IS, NOT PERMITTED WITHOUT WRITTEN AUTHORIZATION FROM DINAMICA GENERALE

INPUT +	RED
INPUT -	BLACK
OUTPUT +	GREEN
OUTPUT -	WHITE

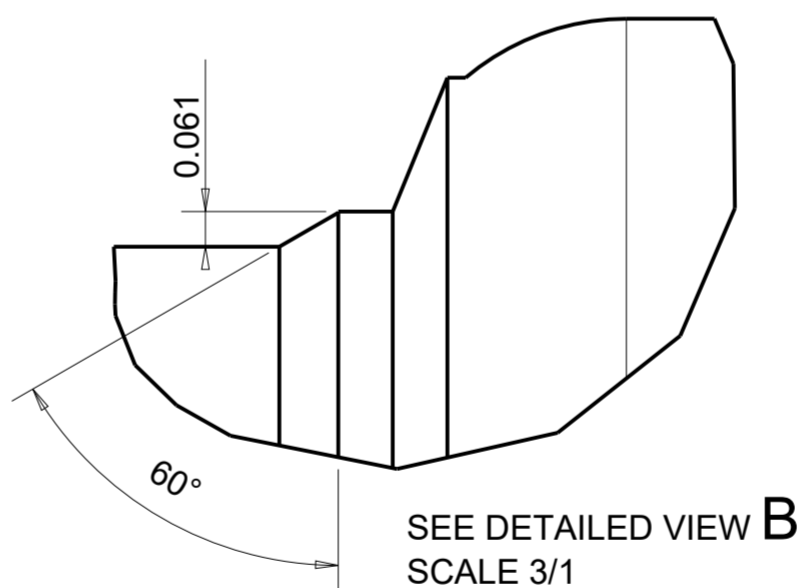
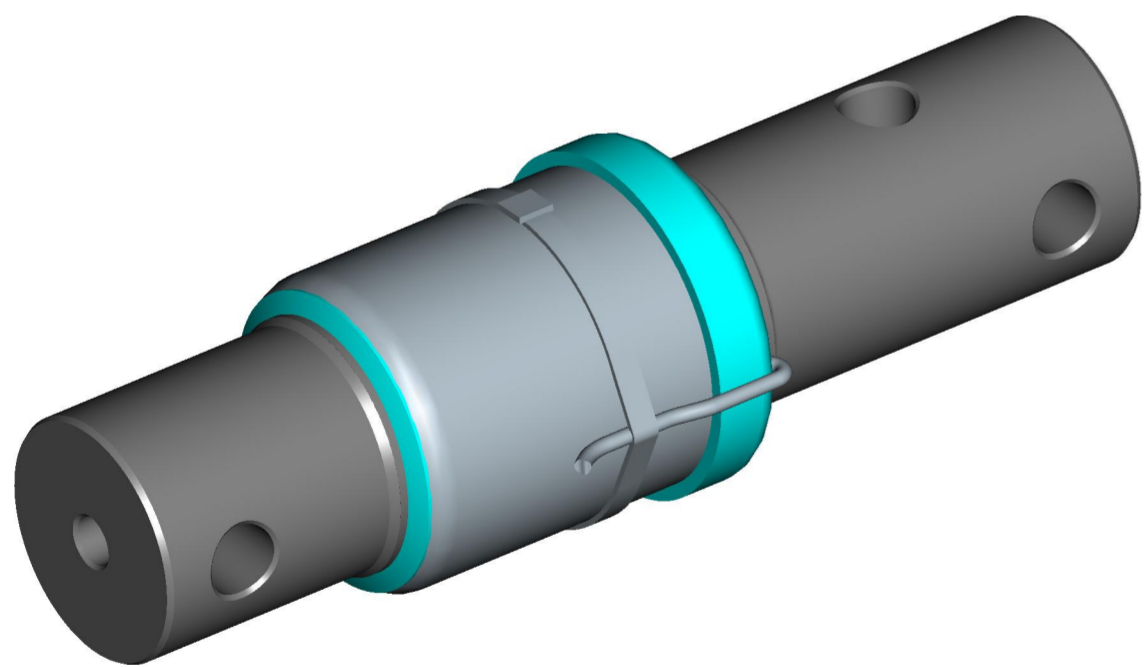
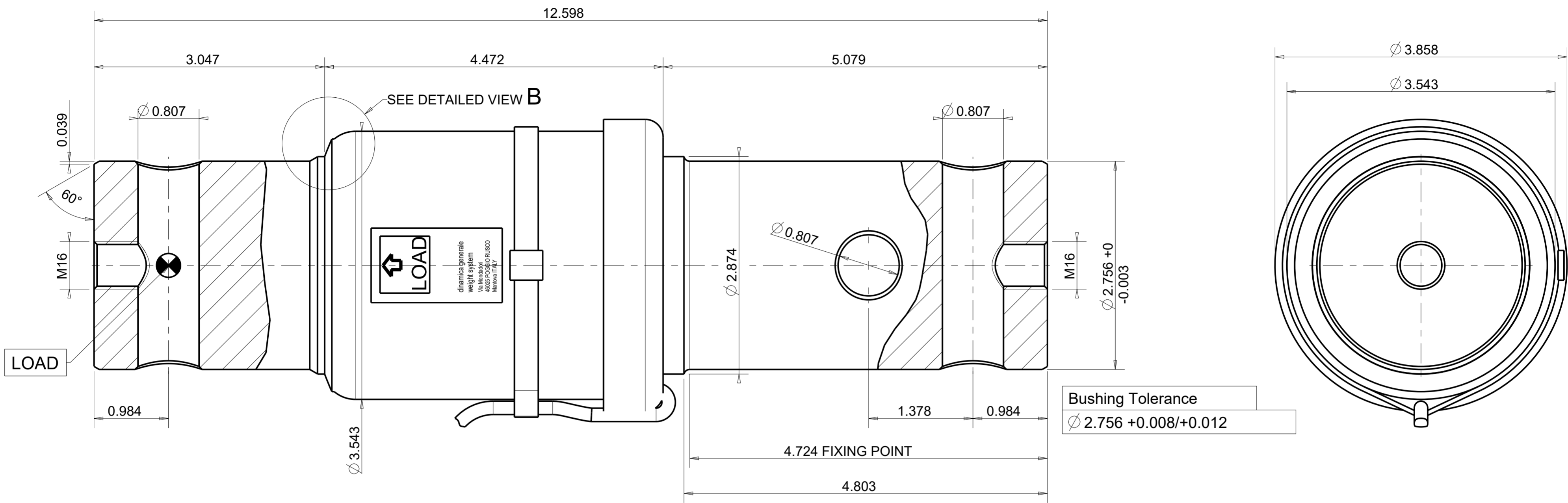
SPECIFICATIONS	STATIC	MOBILE
RATED LOAD (LBS)	23149	15432
RATED LOAD (Kg)	10500	7000
RATED OUTPUT (mV/V)	1.32	0.88

PART CODE	CABLE LENGTH		CABLE TERMINATION
	FT	m	
969-0175	19.7	6.0	Wires

REV.	MOD.N.	DATE	SIGNATURE	DESCRIPTION	SCALE	A2
C	A2	30/05/17	M.B.	Agg. fdm 146/17	1/1	A2
B	A1	20/06/13	M.B.	Aggiornamento int.		
A	A0	01/02/10	M.B.	Emissione disegno		
UNSPECIFIED TOLLERANCES					± 0.5	ROUGHNESS
DATE	01/02/2010	01/02/2010	01/02/2010	*REFER TO ORIGINAL DRAWING IF SIGNATURE ARE PRINTED		
SIGNATURE	M.Bresciani	A.Zennaro	M.Gilli			
WEIGHT [kg]	9.166					
DESCRIPTION						
MOBILE Load Cell DG15900/70-CT C=6m + Wires						
CODE	969-0175		REV.	A2		THE COPY OF THIS DRAWING MUST BE APPROVED BY DINAMICA GENERALE

DINAMICA GENERALE
Weight Systems
46025 Poggio Rusco (MN)
Via Mondadori, 15
Tel. ++39 0386.52134
Fax ++39 0386.51523

MEASURES EXPRESSED IN INCHES



This documents is for reference, dimensions are subject to change.

ALL RIGHTS OF THE PROJECT STRICTLY RESERVED TO DINAMICA GENERALE. REPRODUCTION OR ISSUE TO THIRD PARTIES IN ANY FORM WHATEVER IS, NOT PERMITTED WITHOUT WRITTEN AUTHORIZATION FROM DINAMICA GENERALE

INPUT +	RED
INPUT -	BLACK
OUTPUT +	GREEN
OUTPUT -	WHITE

SPECIFICATIONS	STATIC	MOBILE
RATED LOAD (LBS)	23149	15432
RATED LOAD (Kg)	10500	7000
RATED OUTPUT (mV/V)	1.32	0.88

PART CODE	CABLE LENGHT		CABLE TERMINATION
	FT	m	
969-0175	19.7	6.0	Wires

REV.	MOD.N.	DATE	SIGNATURE	DESCRIPTION	SCALE
C	A2	30/05/17	M.B.	Agg. fdm 146/17	A2
B	A1	20/06/13	M.B.	Aggiornamento int.	
A	A0	01/02/10	M.B.	Emissione disegno	
UNSPECIFIED TOLLERANCES					
					1/1
					± 0.5
WEIGHT [lbs]					ROUGHNESS
20.207					*REFER TO ORIGINAL DRAWING IF SIGNATURE ARE PRINTED
DESCRIPTION					
MOBILE Load Cell DG15900/70-CT C=6m + Wires					
CODE					REV.
969-0175					A2
THE COPY OF THIS DRAWING MUST BE APPROVED BY DINAMICA GENERALE					

DINAMICA GENERALE
Weight Systems
46025 Poggio Rusco (MN)
Via Mondadori, 15
Tel. ++39 0386.52134
Fax ++39 0386.51523