

This documents is for reference, dimensions are subject to change.

ALL RIGHTS OF THE PROJECT STRICTLY RESERVED TO DINAMICA GENERALE. REPRODUCTION OR ISSUE TO THIRD PARTIES IN ANY FORM WHATEVER IS, NOT PERMITTED WITHOUT WRITTEN AUTHORIZATION FROM DINAMICA GENERALE

INPUT +	RED
INPUT -	BLACK
OUTPUT +	GREEN
OUTPUT -	WHITE

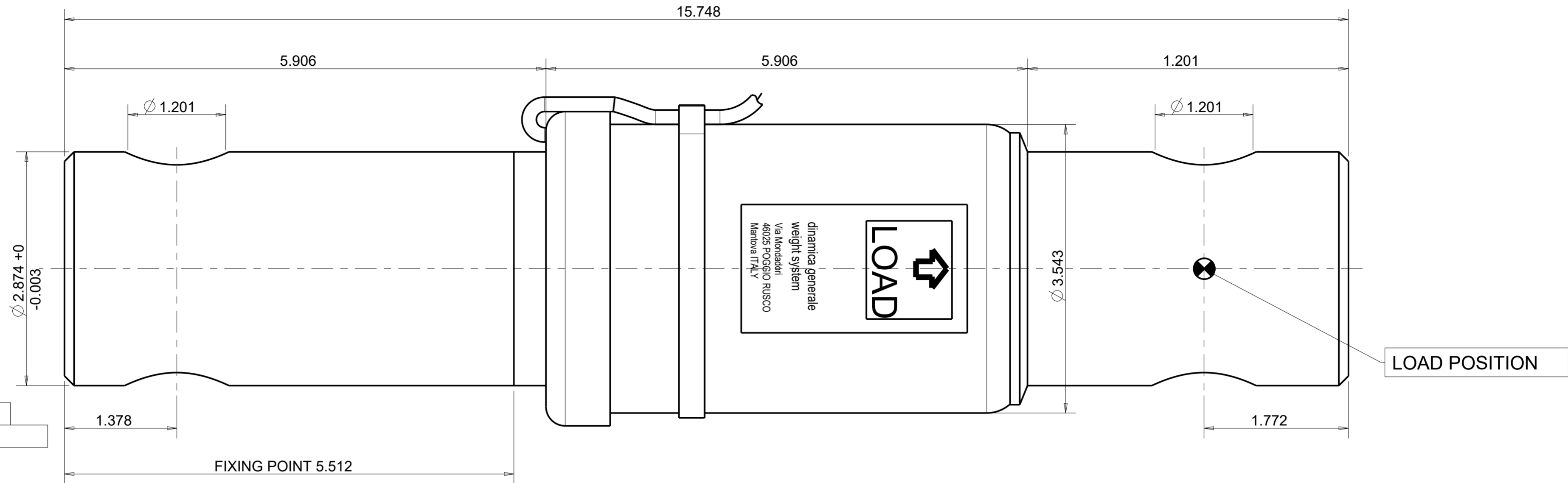
SPECIFICATIONS	STATIC	MOBILE
RATED LOAD (LBS)	24803	16535
RATED LOAD (Kg)	11250	7500
RATED OUTPUT (mV/V)	1.74	1.16

PART CODE	CABLE LENGHT		CABLE TERMINATION
	FT	m	
969-0211	16.4	5	ECP

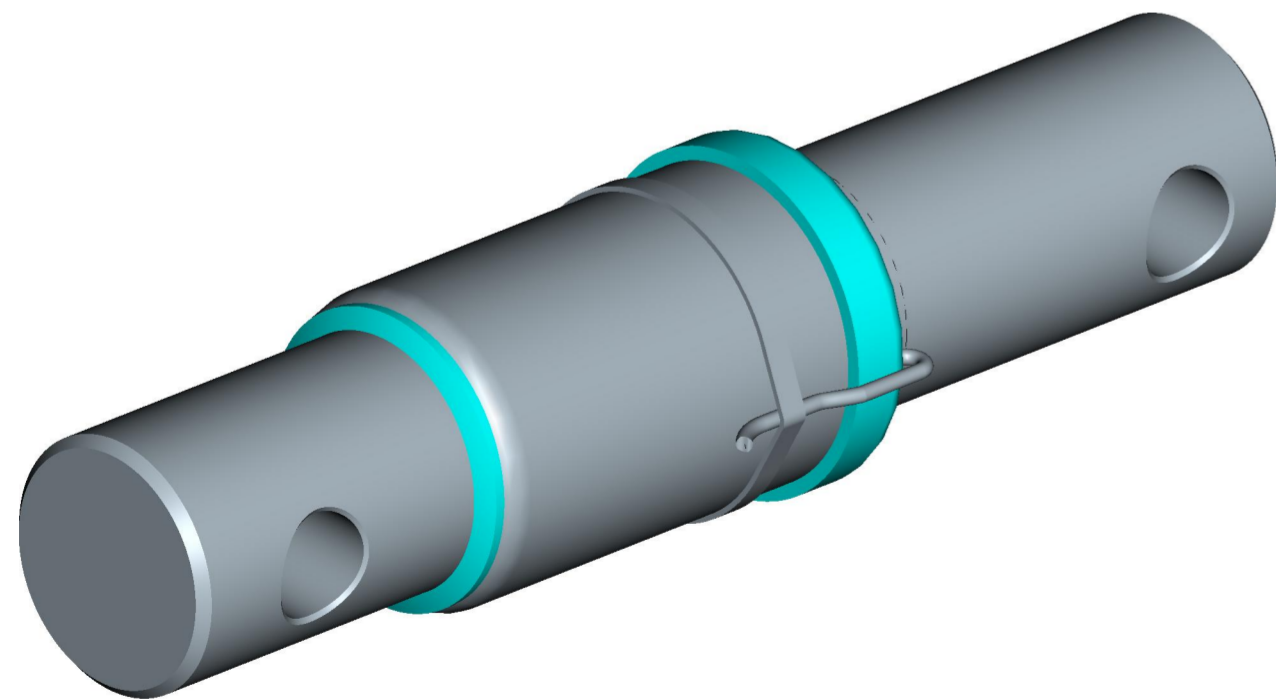
REV.	MOD.N.	DATE	SIGNATURE	DESCRIPTION	SCALE	UNSPECIFIED TOLLERANCES
E	A4	06/04/17	M.B.	Agg. albero fdm 93-17	1/1	± 0.5
D	A3	24/02/16	M.B.	Aggiornamento fdm 39-16		
C	A2	20/06/13	M.B.	Aggiornamento int.		
B	A1	25/03/13	M.B.	Aggiornamento protettivi		
A	A0	28/09/10	M.B.	Emissione disegno		
				*DRAWN: 28/09/2010 *CHECKED: 28/09/2010 *APPROVED: 28/09/2010 SIGNATURE: M.BRESCIANI, A.ZENNARO, M.GILLI WEIGHT [kg]: 12.245 *REFER TO ORIGINAL DRAWING IF SIGNATURE ARE PRINTED DESCRIPTION: MOBILE Load Cell DG12954/73-BE C=5m + ECP CODE: 969-0211 REV.: A4	ROUGHNESS: -	THE COPY OF THIS DRAWING MUST BE APPROVED BY DINAMICA GENERALE

DINAMICA GENERALE
Weight Systems
46025 Poggio Rusco (MN)
Via Mondadori, 15
Tel. ++39 0386.52134
Fax ++39 0386.51523

MEASURES EXPRESSED IN INCHES



Bushing Tolerance
 $\phi 2.874 +0.008/+0.012$



This documents is for reference, dimensions are subject to change.

ALL RIGHTS OF THE PROJECT STRICTLY RESERVED TO DINAMICA GENERALE. REPRODUCTION OR ISSUE TO THIRD PARTIES IN ANY FORM WHATEVER IS, NOT PERMITTED WITHOUT WRITTEN AUTHORIZATION FROM DINAMICA GENERALE

INPUT +	RED
INPUT -	BLACK
OUTPUT +	GREEN
OUTPUT -	WHITE

SPECIFICATIONS	STATIC	MOBILE
RATED LOAD (LBS)	24803	16535
RATED LOAD (Kg)	11250	7500
RATED OUTPUT (mV/V)	1.74	1.16

PART CODE	CABLE LENGHT		CABLE TERMINATION
	FT	m	
969-0211	16.4	5	ECP

REV.	MOD.N.	DATE	SIGNATURE	DESCRIPTION	SCALE	A2
E	A4	06/04/17	M.B.	Agg. albero fdm 93-17	1/1	A2
D	A3	24/02/16	M.B.	Aggiornamento fdm 39-16		
C	A2	20/06/13	M.B.	Aggiornamento int.		
B	A1	25/03/13	M.B.	Aggiornamento protettivi		
A	A0	28/09/10	M.B.	Emissione disegno		
UNSPECIFIED TOLLERANCES				± 0.02		
WEIGHT [lbs]				26.996	ROUGHNESS	
DESCRIPTION				MOBILE Load Cell DG12954/73-BE C=5m + ECP		
CODE				969-0211	REV.	A4
				THE COPY OF THIS DRAWING MUST BE APPROVED BY DINAMICA GENERALE		


DINAMICA GENERALE
 Weight Systems
 46025 Poggio Rusco (MN)
 Via Mondadori, 15
 Tel. ++39 0386.52134
 Fax ++39 0386.51523