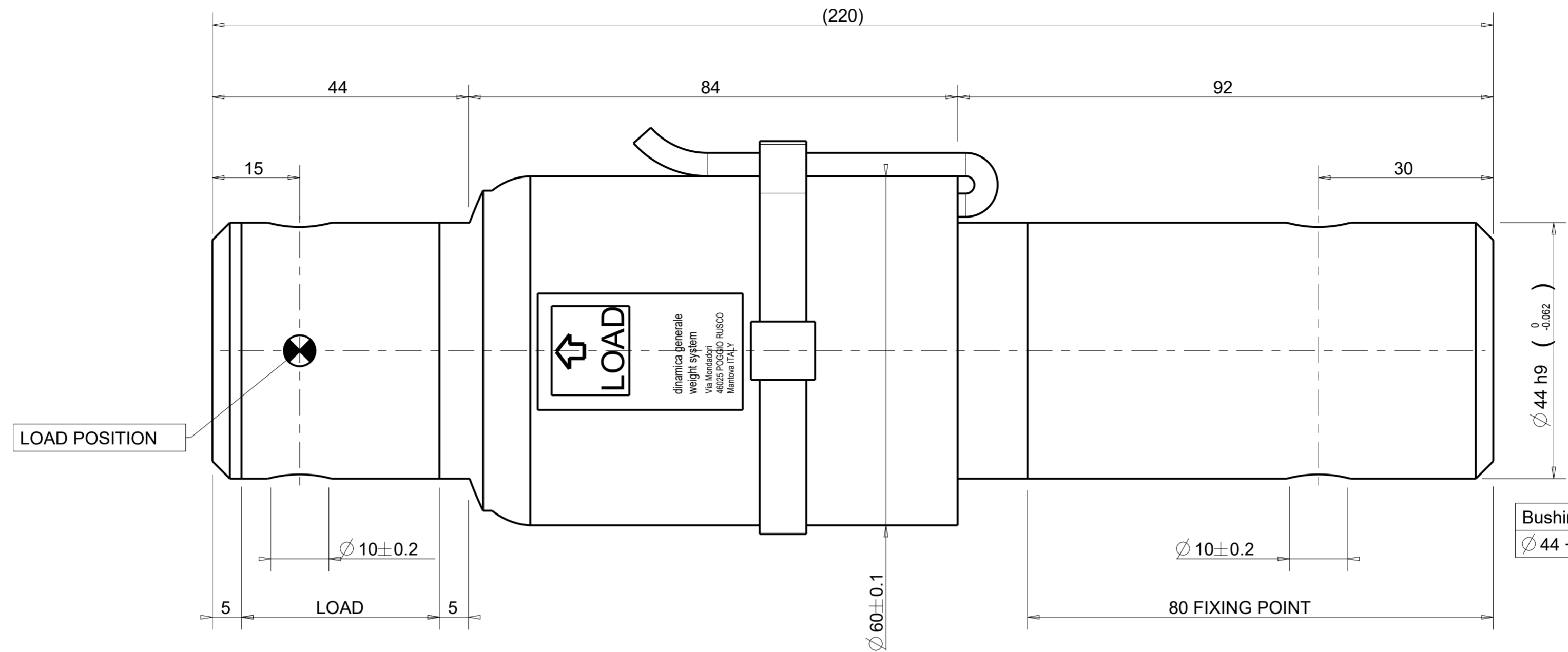
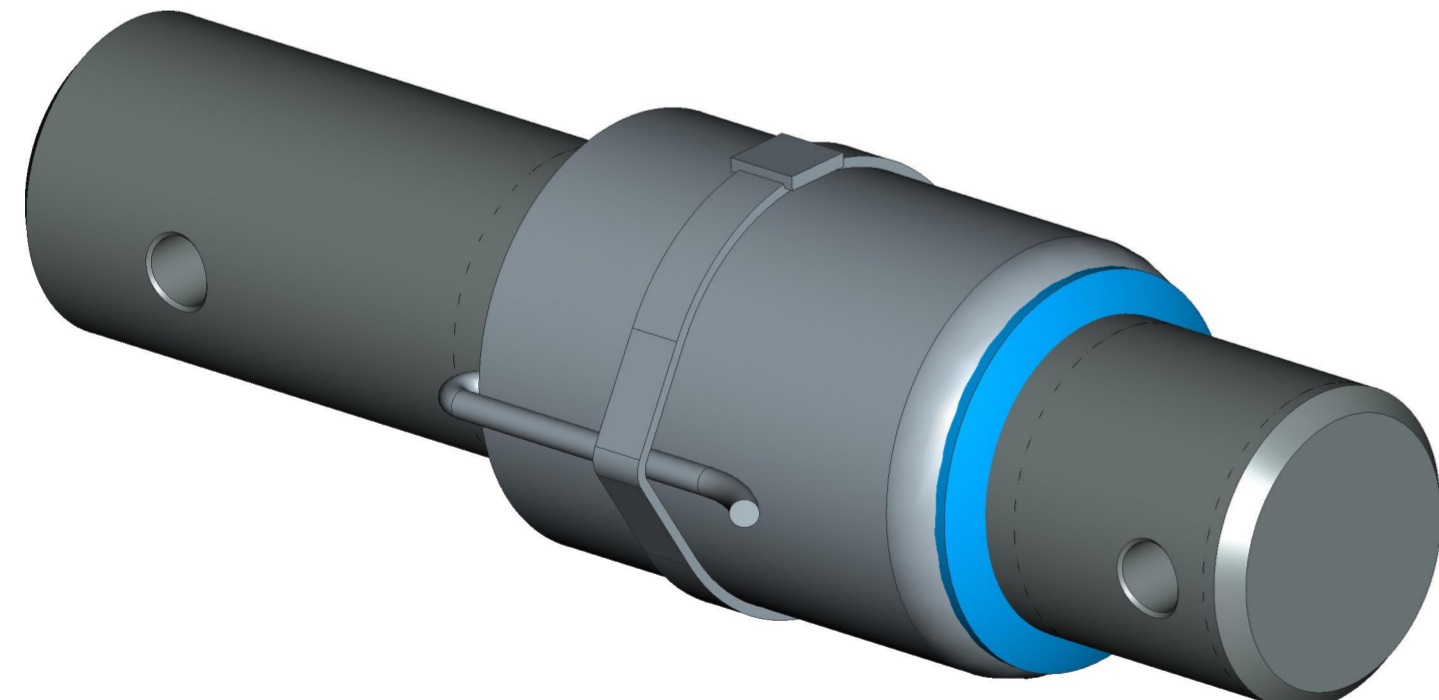


NOTE: Item not painted



LOAD  
 dinamica generale  
 weight system  
 Via Mondadori,  
 46025 POGGIO RUSCO  
 Mantova ITALY

Bushing Tolerance  
 Ø 44 +0.2/+0.3



This documents is for reference,  
 dimensions are subject to change.  
 ALL RIGHTS OF THE PROJECT STRICTLY  
 RESERVED TO DINAMICA GENERALE.  
 REPRODUCTION OR ISSUE TO THIRD  
 PARTIES IN ANY FORM WHATEVER IS,  
 NOT PERMITTED WITHOUT WRITTEN  
 AUTHORIZATION FROM DINAMICA GENERALE

INPUT +	RED
INPUT -	BLACK
OUTPUT +	GREEN
OUTPUT -	WHITE

SPECIFICATIONS	STATIC	MOBILE
RATED LOAD (LBS)	13889	9259
RATED LOAD (Kg)	6300	4200
RATED OUTPUT (mV/V)	1.41	0.94

PART CODE	CABLE LENGHT		CABLE TERMINATION
	FT	m	
969-0281	12.8	3.9	ECP

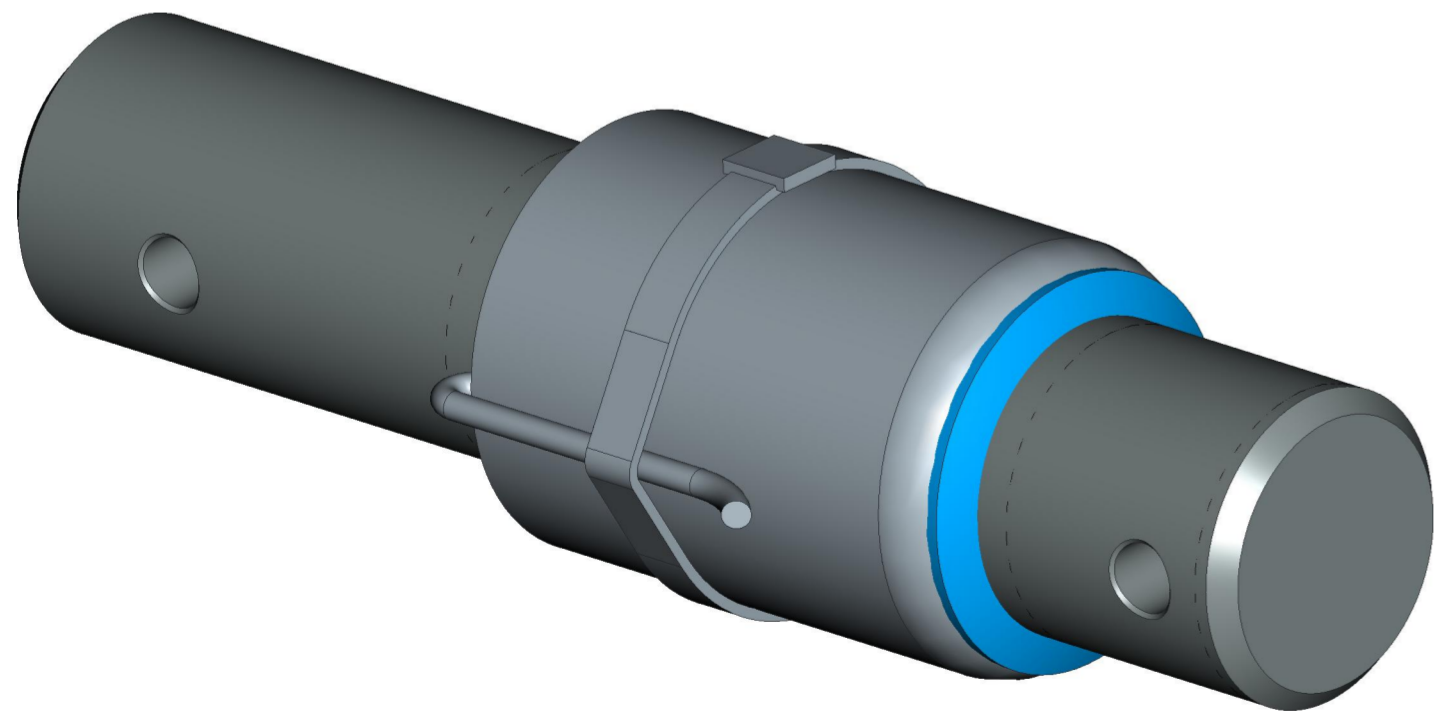
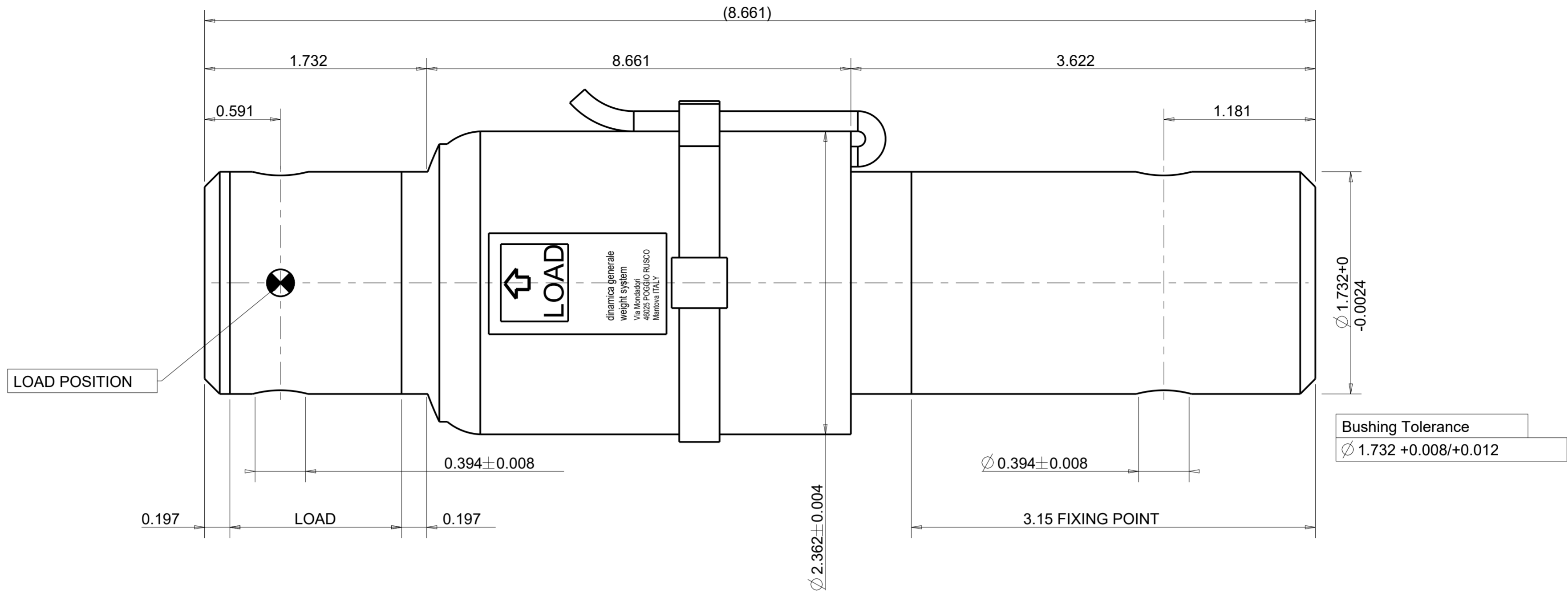
SEE DOCUMENT DGCG01 FOR ADDITIONAL CABLE INFORMATION  
 SEE DOCUMENT DGMG01 FOR ADDITIONAL MOUNTING GUIDELINES

REV.	MOD.N.	DATE	SIGNATURE	DESCRIPTION	SCALE	TOLERANCES									
C	-	-	-	-	A2	UNSPECIFIED TOLLERANCES									
B	A1	21/11/16	M.B.	Agg. fdm 284-16	3/2	± 0.5									
A	A0	12/04/13	M.B.	Emissione Disegno		-									
<table border="1"> <tr> <td>*DRAWN</td> <td>*CHECKED</td> <td>*APPROVED</td> </tr> <tr> <td>DATE: 02/05/2008</td> <td>02/05/2008</td> <td>02/05/2008</td> </tr> <tr> <td>SIGNATURE: M.Bresciani</td> <td>A.Barbi</td> <td>A.Barbi</td> </tr> </table>				*DRAWN	*CHECKED	*APPROVED	DATE: 02/05/2008	02/05/2008	02/05/2008	SIGNATURE: M.Bresciani	A.Barbi	A.Barbi	*REFER TO ORIGINAL DRAWING IF SIGNATURE ARE PRINTED ROUGHNESS: -		
*DRAWN	*CHECKED	*APPROVED													
DATE: 02/05/2008	02/05/2008	02/05/2008													
SIGNATURE: M.Bresciani	A.Barbi	A.Barbi													
DESCRIPTION: Cella MOBILE DG8960/44-CC C=3,9m + ECP_DG CODE: 969-0281 REV. A1 THE COPY OF THIS DRAWING MUST BE APPROVED BY DINAMICA GENERALE															



MEASURES EXPRESSED IN INCHES

NOTE: Item not painted



This documents is for reference, dimensions are subject to change.

ALL RIGHTS OF THE PROJECT STRICTLY RESERVED TO DINAMICA GENERALE. REPRODUCTION OR ISSUE TO THIRD PARTIES IN ANY FORM WHATEVER IS, NOT PERMITTED WITHOUT WRITTEN AUTHORIZATION FROM DINAMICA GENERALE

INPUT +	RED
INPUT -	BLACK
OUTPUT +	GREEN
OUTPUT -	WHITE

SPECIFICATIONS	STATIC	MOBILE
RATED LOAD (LBS)	13889	9259
RATED LOAD (Kg)	6300	4200
RATED OUTPUT (mV/V)	1.41	0.94

PART CODE	CABLE LENGHT		CABLE TERMINATION
	FT	m	
969-0281	12.8	3.9	ECP

SEE DOCUMENT DGCG01 FOR ADDITIOLNAL CABLE INFORMATIONS  
SEE DOCUMENT DGMG01 FOR ADDITIOLNAL MOUNTING GUIDELINES

REV.	MOD.N.	DATE	SIGNATURE	DESCRIPTION	SCALE									
C	-	-	-	-	A2									
B	A1	21/11/16	M.B.	Agg. fdm 284-16	3/2									
A	A0	12/04/13	M.B.	Emissione Disegno										
<table border="1"> <thead> <tr> <th>*DRAWN</th> <th>*CHECKED</th> <th>*APPROVED</th> </tr> </thead> <tbody> <tr> <td>DATE 02/05/2008</td> <td>02/05/2008</td> <td>02/05/2008</td> </tr> <tr> <td>SIGNATURE M.Bresciani</td> <td>A.Barbi</td> <td>A.Barbi</td> </tr> </tbody> </table>					*DRAWN	*CHECKED	*APPROVED	DATE 02/05/2008	02/05/2008	02/05/2008	SIGNATURE M.Bresciani	A.Barbi	A.Barbi	UNSPECIFIED TOLLERANCES
*DRAWN	*CHECKED	*APPROVED												
DATE 02/05/2008	02/05/2008	02/05/2008												
SIGNATURE M.Bresciani	A.Barbi	A.Barbi												
<table border="1"> <thead> <tr> <th>WEIGHT [lbs]</th> <th>*REFER TO ORIGINAL DRAWING IF SIGNATURE ARE PRINTED</th> <th>ROUGHNESS</th> </tr> </thead> <tbody> <tr> <td>5.792</td> <td></td> <td>-</td> </tr> </tbody> </table>					WEIGHT [lbs]	*REFER TO ORIGINAL DRAWING IF SIGNATURE ARE PRINTED	ROUGHNESS	5.792		-	± 0.02			
WEIGHT [lbs]	*REFER TO ORIGINAL DRAWING IF SIGNATURE ARE PRINTED	ROUGHNESS												
5.792		-												
<table border="1"> <thead> <tr> <th colspan="2">DESCRIPTION</th> <th>CODE</th> <th>REV.</th> </tr> </thead> <tbody> <tr> <td colspan="2">Cella MOBILE DG8960/44-CC C=3,9m + ECP_DG</td> <td>969-0281</td> <td>A1</td> </tr> </tbody> </table>					DESCRIPTION		CODE	REV.	Cella MOBILE DG8960/44-CC C=3,9m + ECP_DG		969-0281	A1	THE COPY OF THIS DRAWING MUST BE APPROVED BY DINAMICA GENERALE	
DESCRIPTION		CODE	REV.											
Cella MOBILE DG8960/44-CC C=3,9m + ECP_DG		969-0281	A1											

**DINAMICA GENERALE**  
Weight Systems  
46025 Poggio Rusco (MN)  
Via Mondadori, 15  
Tel. ++39 0386.52134  
Fax ++39 0386.51523