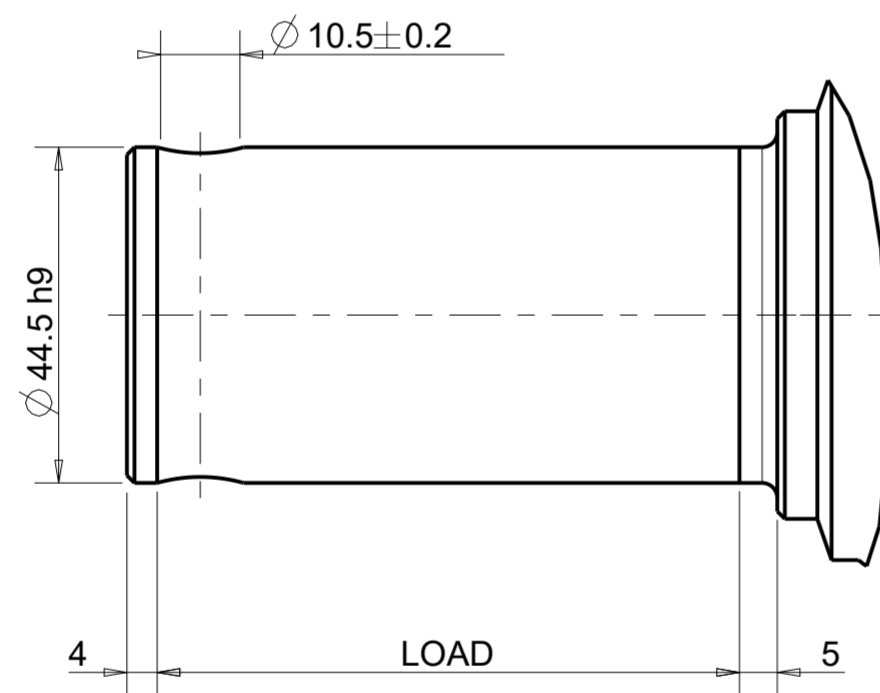
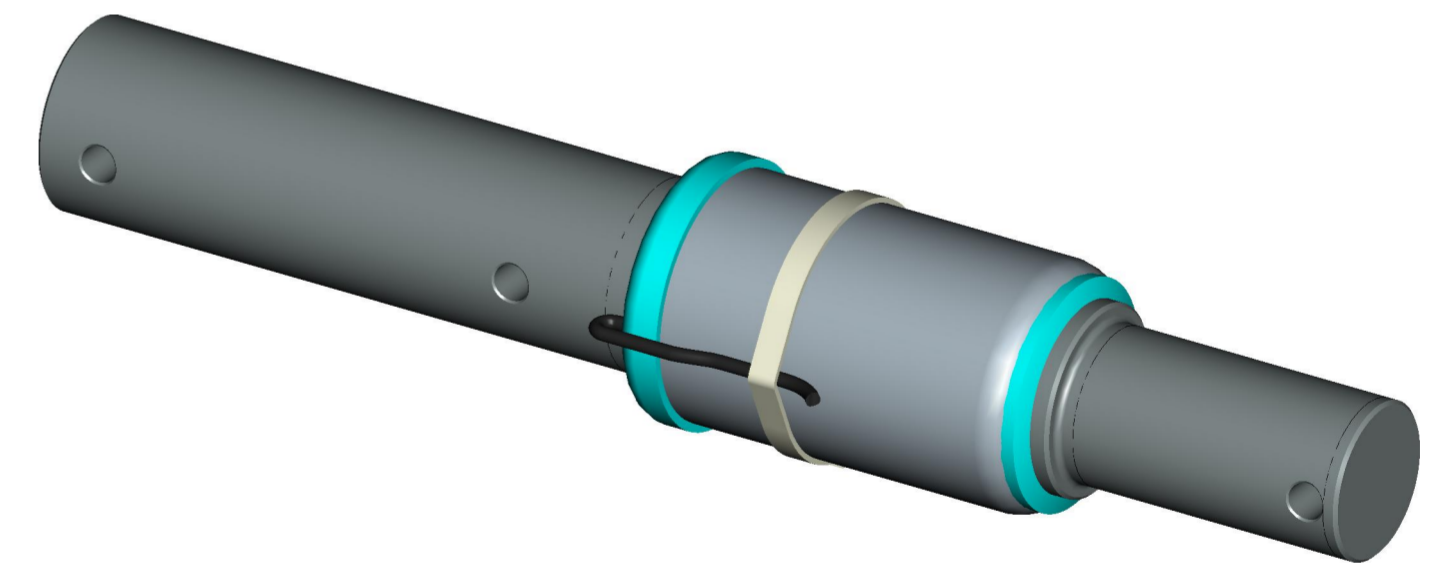


Bushing Tolerance
 $\varnothing 54 +0.2/+0.3$



DETTAGLIO A
 SCALA 1/1



This documents is for reference, dimensions are subject to change.

ALL RIGHTS OF THE PROJECT STRICTLY RESERVED TO DINAMICA GENERALE. REPRODUCTION OR ISSUE TO THIRD PARTIES IN ANY FORM WHATEVER IS, NOT PERMITTED WITHOUT WRITTEN AUTHORIZATION FROM DINAMICA GENERALE

INPUT +	RED
INPUT -	BLACK
OUTPUT +	GREEN
OUTPUT -	WHITE

SPECIFICATIONS	STATIC	MOBILE
RATED LOAD (LBS)	13559	9039
RATED LOAD (Kg)	6150	4100
RATED OUTPUT (mV/V)	1.44	0.96

INPUT IMPEDENCE (Ω)	350/380
OUTPUT IMPEDENCE (Ω)	350 ± 1
MAXIMUM EXCITATION (V)	15
INSULATION ($M\Omega$)	>=5000
OPERATING TEMPERATURE RANGE (°C)	-45/+70
GRADE OF PROTECTION	IP 68

PART CODE	CABLE LENGHT		CABLE TERMINATION
	FT	m	
969-0293	21	6.5	ECP

C	-	-	-	-	A2
B	A1	30/05/17	M.B.	Agg. fdm 146/17	
A	A0	11/11/13	M.B.	Emissione disegno	SCALE 1/1
REV.	MOD.N.	DATE	SIGNATURE	DESCRIPTION	UNSPECIFIED TOLLERANCES ± 0.5
			*DRAWN M.Bresciani	*CHECKED S.Bernardinello	*APPROVED M.Gilli
			WEIGHT KG. 6.647	*REFER TO ORIGINAL DRAWING IF SIGNATURE ARE PRINTED	
			DESCRIPTION Cella MOBILE DG8500/54-BK C=6.5m + ECP_DG		
			CODE 969-0293	REV. A1	ROUGHNESS
					THE COPY OF THIS DRAWING MUST BE APPROVED BY DINAMICA GENERALE

DINAMICA GENERALE
 Weight Systems
 46025 Poggio Rusco (MN)
 Via Mondadori, 15
 Tel. ++39 0386.52134
 Fax ++39 0386.51523

