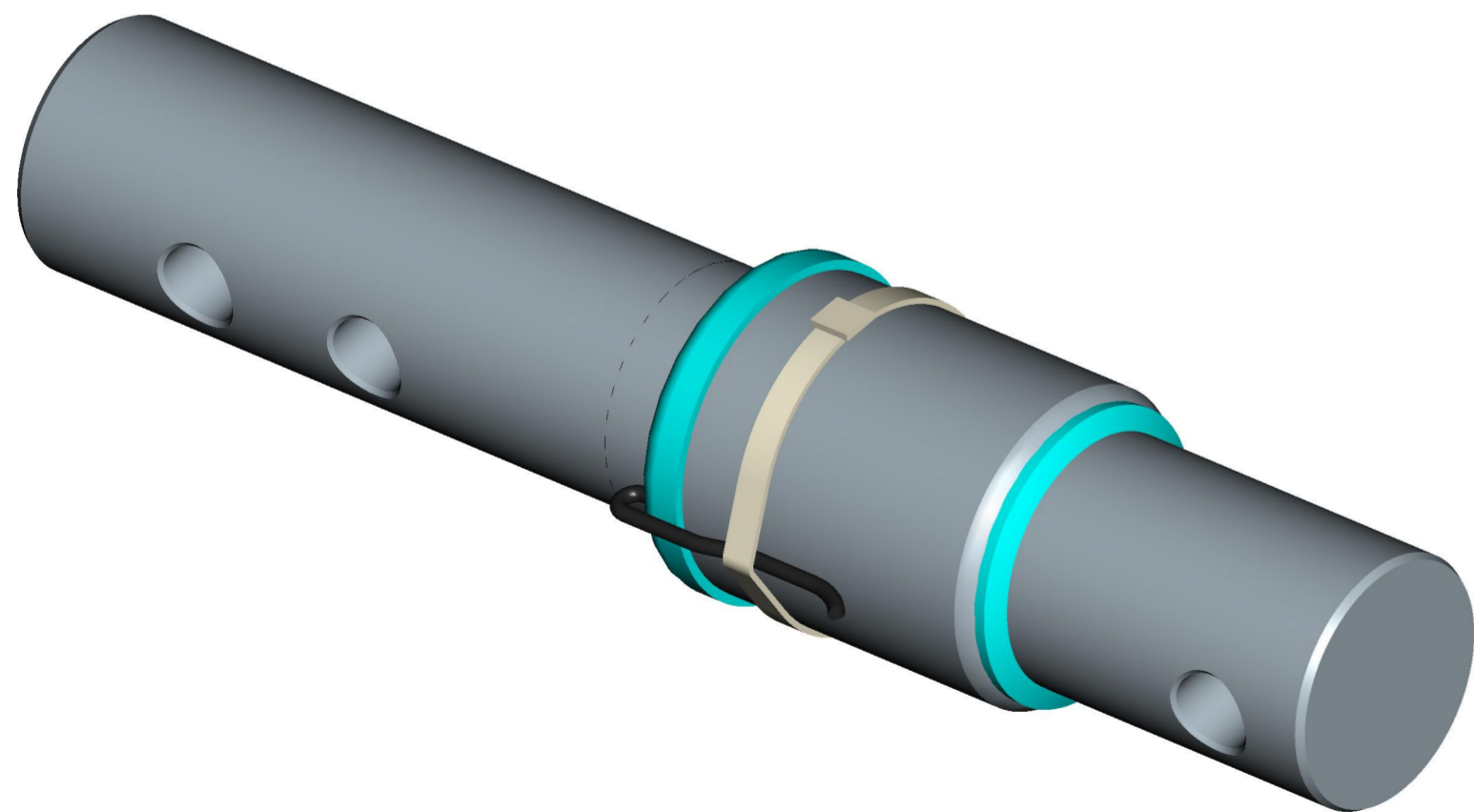


Bushing Diameter Tolerance $\varnothing 63.5 +0.3/+0.4$



This documents is for reference, dimensions are subject to change.

ALL RIGHTS OF THE PROJECT STRICTLY RESERVED TO DINAMICA GENERALE. REPRODUCTION OR ISSUE TO THIRD PARTIES IN ANY FORM WHATEVER IS, NOT PERMITTED WITHOUT WRITTEN AUTHORIZATION FROM DINAMICA GENERALE

INPUT +	RED
INPUT -	BLACK
OUTPUT +	GREEN
OUTPUT -	WHITE

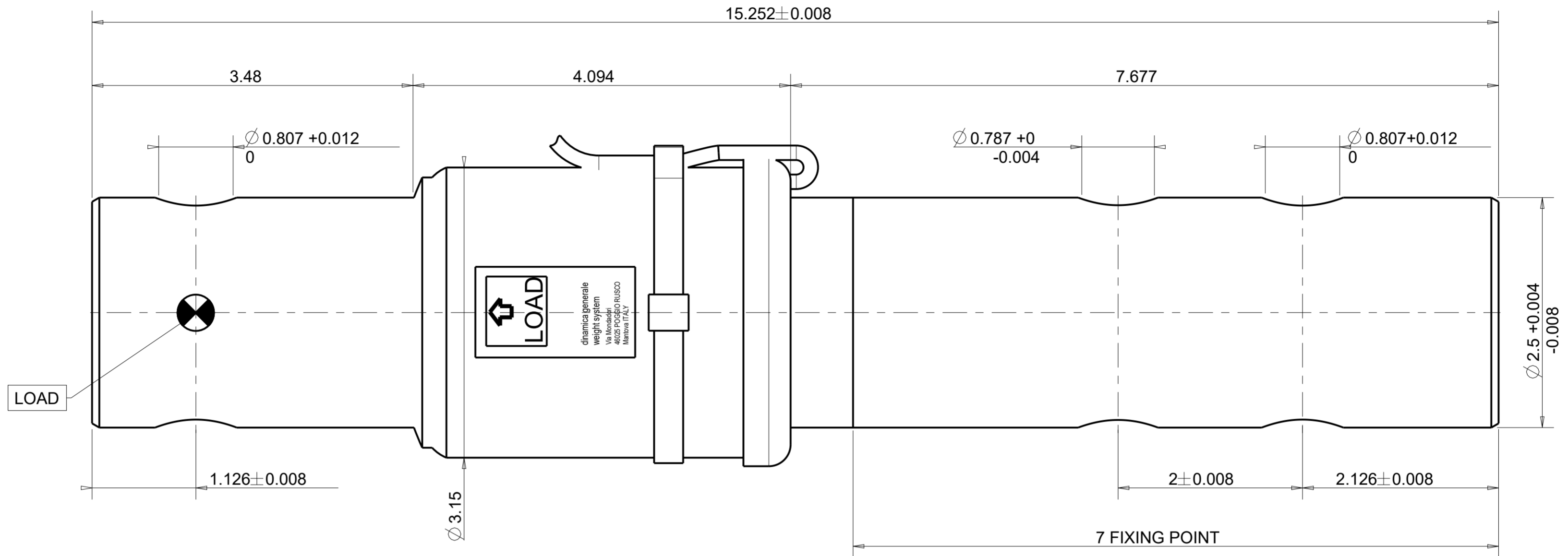
SPECIFICATIONS	STATIC	MOBILE
RATED LOAD (LBS)	18850	12566
RATED LOAD (Kg)	8550	5700
RATED OUTPUT (mV/V)	0.942	0.628

PART CODE	CABLE LENGHT		CABLE TERMINATION
	FT	m	
969-0299	21.3	6.5	ECP

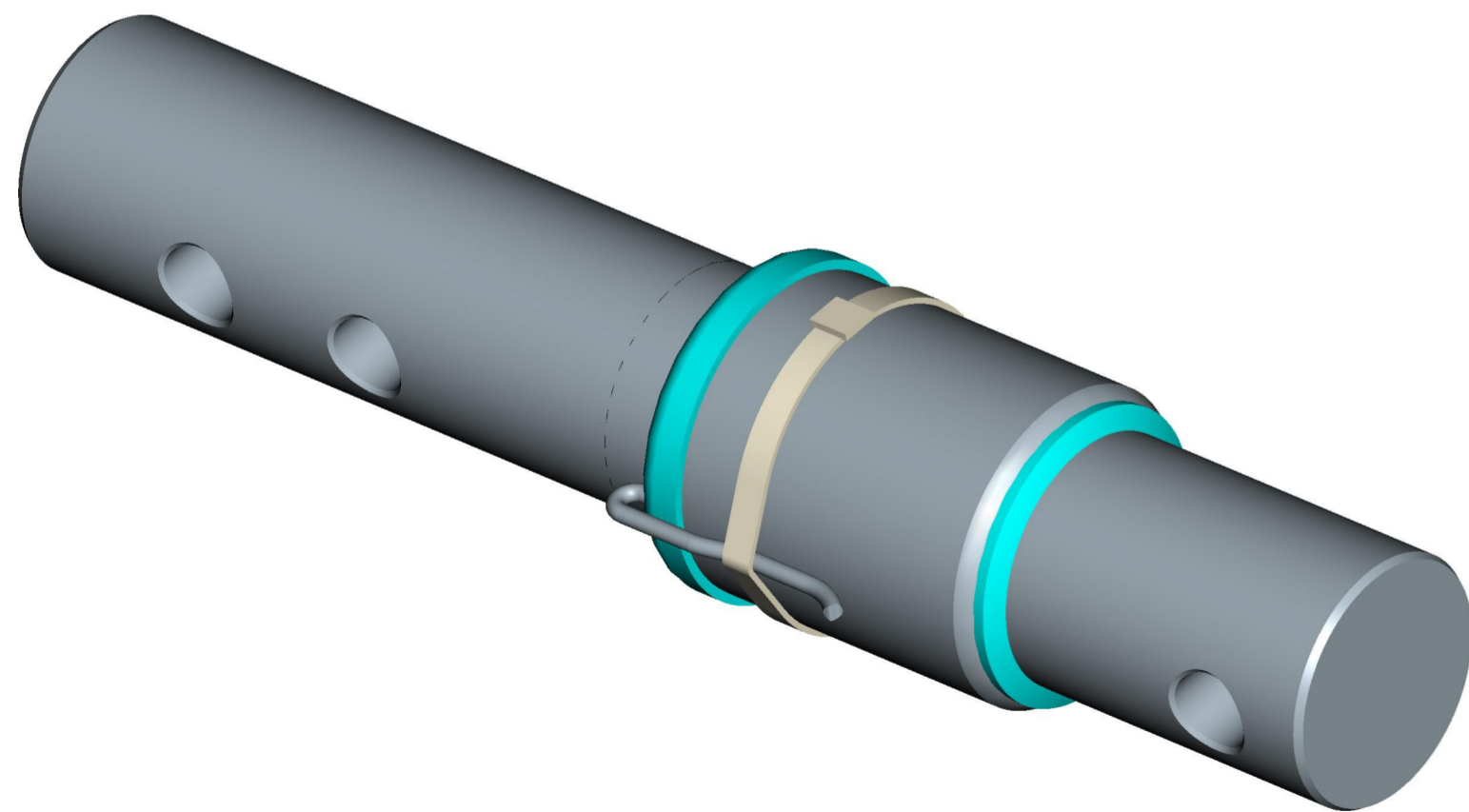
REV.	MOD.N.	DATE	SIGNATURE	DESCRIPTION	SCALE			
D	A3	09/05/17	M.B.	Sostituito codice cavo	A2			
C	A2	04/11/16	M.B.	Agg. fdm 263_16				
B	A1	23/04/14	M.B.	Agg. tolleranze fdm 128-14				
A	A0	07/01/14	M.B.	Emissione disegno	1/1			
				*DRAWN	*CHECKED	*APPROVED	UNSPECIFIED TOLLERANCES	
				DATE	07/01/2014	07/01/2014	07/01/2014	± 0.5
				SIGNATURE	M.Bresciani	S.Bernardinello	M.Gilli	ROUGHNESS
				WEIGHT [kg]	9.436		*REFER TO ORIGINAL DRAWING IF SIGNATURE ARE PRINTED	
				DESCRIPTION				
				MOBILE Load Cell DG18144/63.5-CE C=6.5m + ECP				
				CODE	969-0299	REV.	A3	THE COPY OF THIS DRAWING MUST BE APPROVED BY DINAMICA GENERALE

DINAMICA GENERALE
Weight Systems
46025 Poggio Rusco (MN)
Via Mondadori, 15
Tel. ++39 0386.52134
Fax ++39 0386.51523

MEASURES EXPRESSED IN INCHES



Bushing Diameter Tolerance $\varnothing 2.5 +0.012/+0.016$



This documents is for reference, dimensions are subject to change.

ALL RIGHTS OF THE PROJECT STRICTLY RESERVED TO DINAMICA GENERALE. REPRODUCTION OR ISSUE TO THIRD PARTIES IN ANY FORM WHATEVER IS, NOT PERMITTED WITHOUT WRITTEN AUTHORIZATION FROM DINAMICA GENERALE

INPUT +	RED
INPUT -	BLACK
OUTPUT +	GREEN
OUTPUT -	WHITE

SPECIFICATIONS	STATIC	MOBILE
RATED LOAD (LBS)	18850	12566
RATED LOAD (Kg)	8550	5700
RATED OUTPUT (mV/V)	0.942	0.628

PART CODE	CABLE LENGHT		CABLE TERMINATION
	FT	m	
969-0299	21.3	6.5	ECP

REV.	MOD.N.	DATE	SIGNATURE	DESCRIPTION	SCALE
D	A3	09/05/17	M.B.	Sostituito codice cavo	A2
C	A2	04/11/16	M.B.	Agg. fdm 263_16	
B	A1	23/04/14	M.B.	Agg. tolleranze fdm 128-14	
A	A0	07/01/14	M.B.	Emissione disegno	
SCALE 1/1					
UNSPECIFIED TOLLERANCES					± 0.02
WEIGHT [lb]					ROUGHNESS
20.803					*REFER TO ORIGINAL DRAWING IF SIGNATURE ARE PRINTED
DESCRIPTION					
MOBILE Load Cell DG18144/63.5-CE C=6.5m + ECP					
CODE				REV.	THE COPY OF THIS DRAWING MUST BE APPROVED BY DINAMICA GENERALE
969-0299				A3	


DINAMICA GENERALE
 Weight Systems
 46025 Poggio Rusco (MN)
 Via Mondadori, 15
 Tel. ++39 0386.52134
 Fax ++39 0386.51523