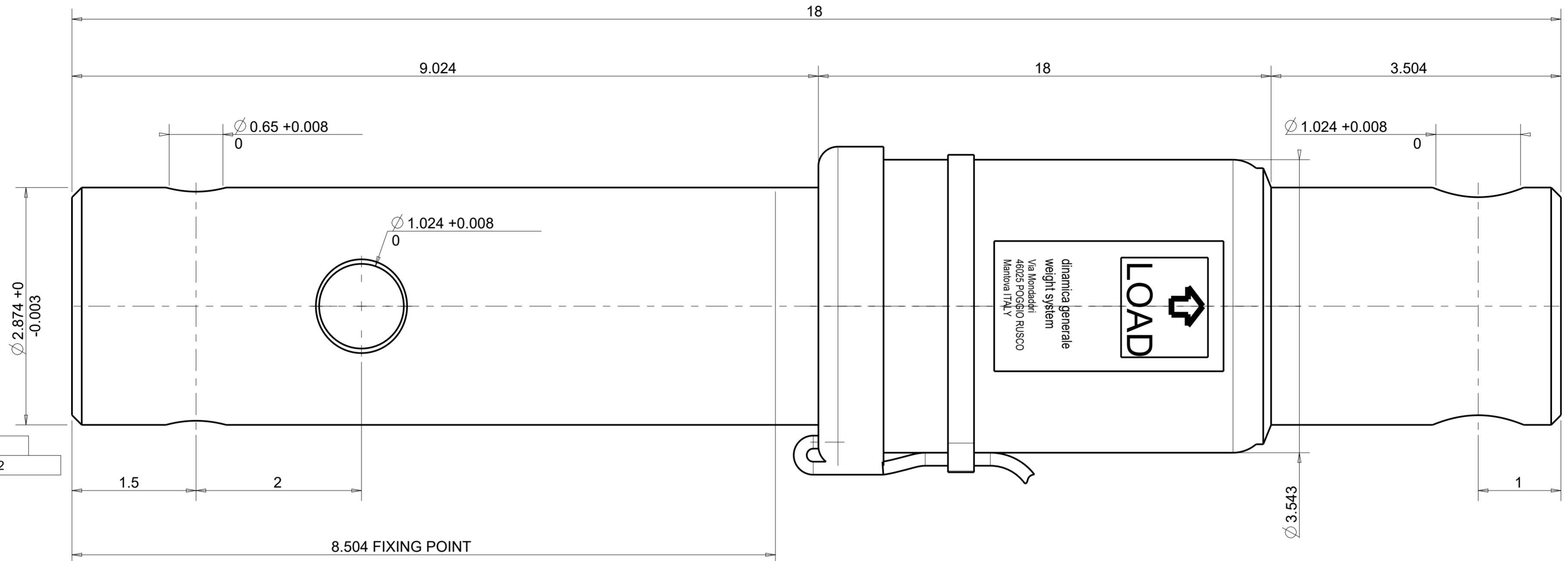
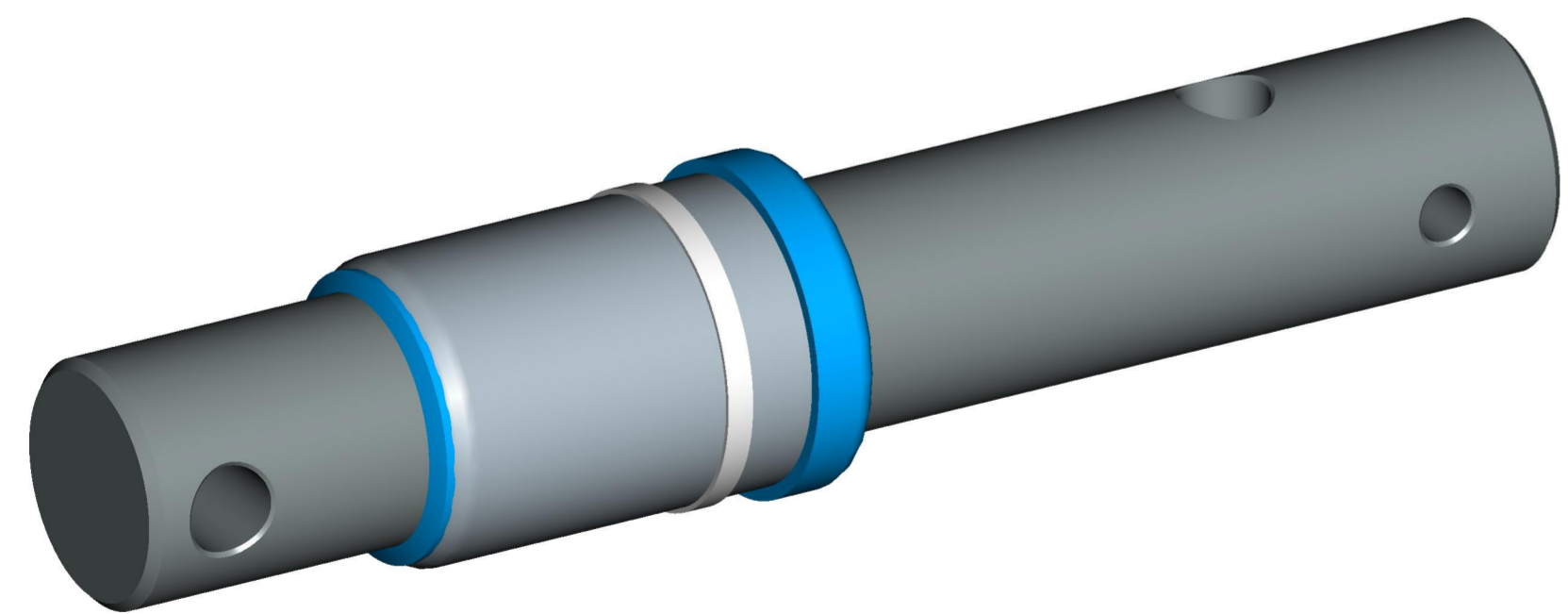




MEASURES EXPRESSED IN INCHES

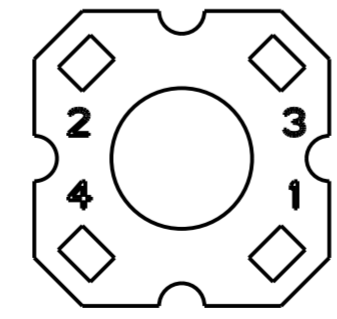


Bushing Tolerance  
 $\varnothing 2.874 +0.008/+0.012$



This documents is for reference, dimensions are subject to change.

ALL RIGHTS OF THE PROJECT STRICTLY RESERVED TO DINAMICA GENERALE. REPRODUCTION OR ISSUE TO THIRD PARTIES IN ANY FORM WHATEVER IS, NOT PERMITTED WITHOUT WRITTEN AUTHORIZATION FROM DINAMICA GENERALE



INPUT +	RED	1
INPUT -	BLACK	2
OUTPUT +	GREEN	4
OUTPUT -	WHITE	3

SPECIFICATIONS	MOBILE
RATED LOAD (LBS)	15000
RATED LOAD (Kg)	6804
RATED OUTPUT (mV/V)	0.75

PART CODE	CABLE LENGHT		CABLE TERMINATION
	FT	m	
969-0301	21.3	6.5	ECP

REV.	MOD.N.	DATE	SIGNATURE	DESCRIPTION	SCALE
C	A2	22/05/17	M.B.	Agg. cavo fdm 135-17	A2
B	A1	11/10/16	M.B.	Aggiornamento fdm 233-16	
A	A0	14/01/14	M.B.	Emissione disegno	
UNSPECIFIED TOLLERANCES					
1/1					
± 0.02					
ROUGHNESS					
*REFER TO ORIGINAL DRAWING IF SIGNATURE ARE PRINTED					
DESCRIPTION					
Cella MOBILE DG18144/73-BO C=6.5 m + ECP_DG					
CODE					
969-0301			A2		THE COPY OF THIS DRAWING MUST BE APPROVED BY DINAMICA GENERALE

**DINAMICA GENERALE**  
 Weight Systems  
 46025 Poggio Rusco (MN)  
 Via Mondadori, 15  
 Tel. ++39 0386.52134  
 Fax ++39 0386.51523