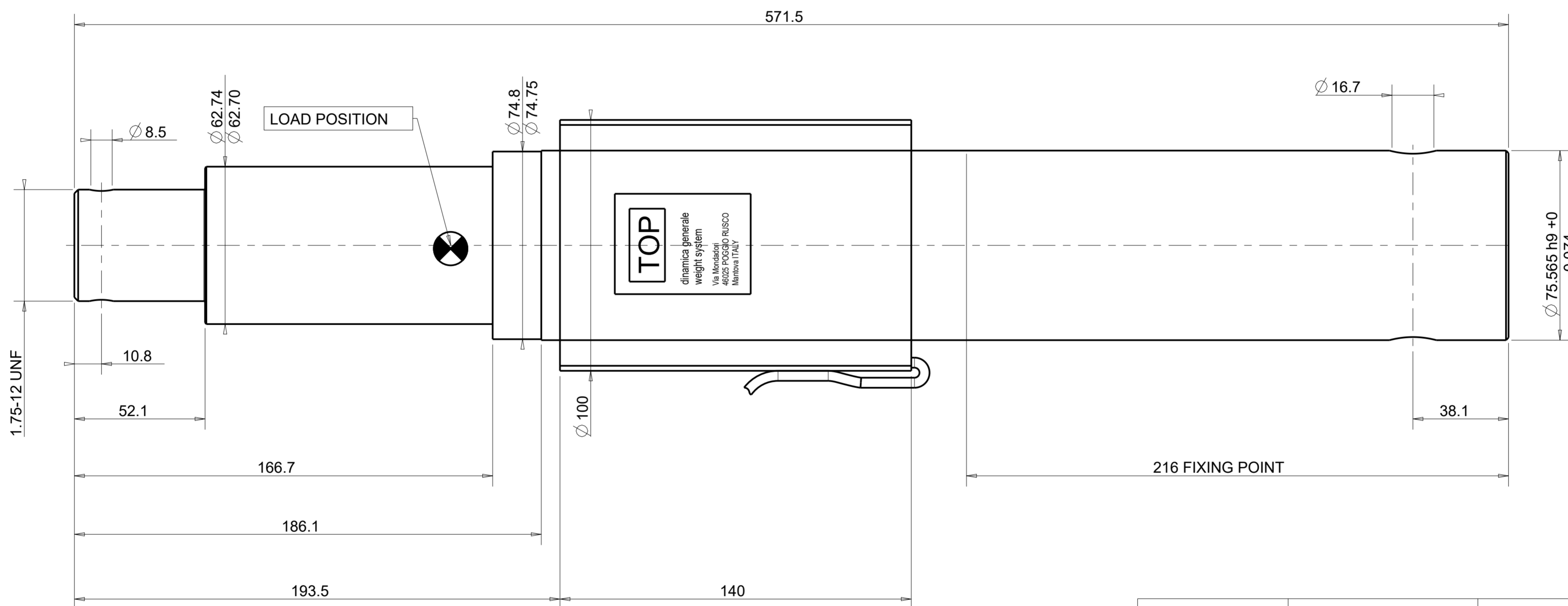
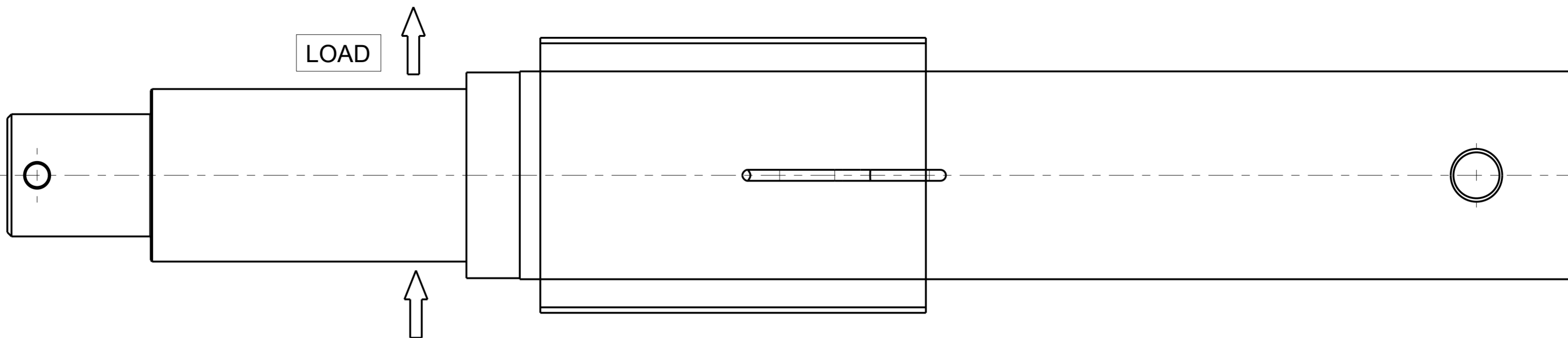
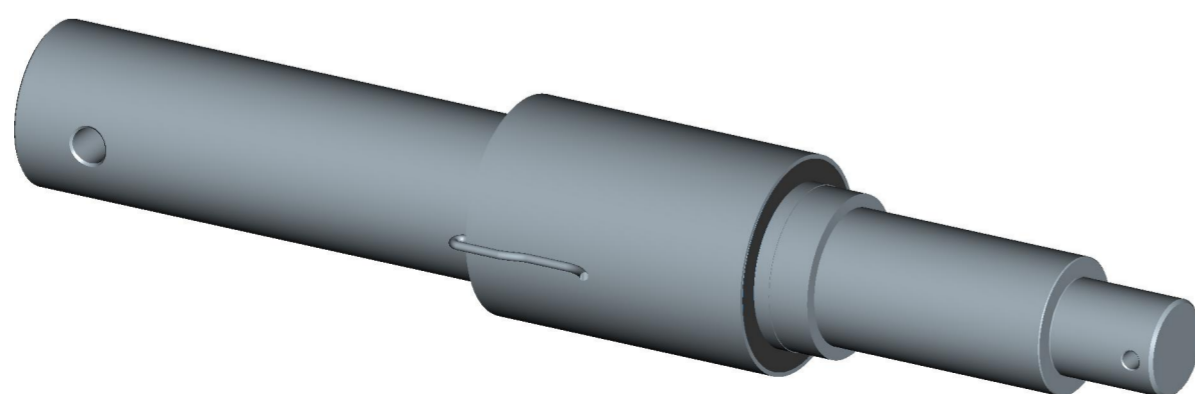


NOTE: Item not painted



This documents is for reference, dimensions are subject to change.

ALL RIGHTS OF THE PROJECT STRICTLY RESERVED TO DINAMICA GENERALE. REPRODUCTION OR ISSUE TO THIRD PARTIES IN ANY FORM WHATEVER IS, NOT PERMITTED WITHOUT WRITTEN AUTHORIZATION FROM DINAMICA GENERALE



INPUT +	RED
INPUT -	BLACK
OUTPUT +	GREEN
OUTPUT -	WHITE

SPECIFICATIONS	MOBILE
RATED LOAD (LBS)	20000
RATED LOAD (Kg)	9072
RATED OUTPUT (mV/V)	1.00

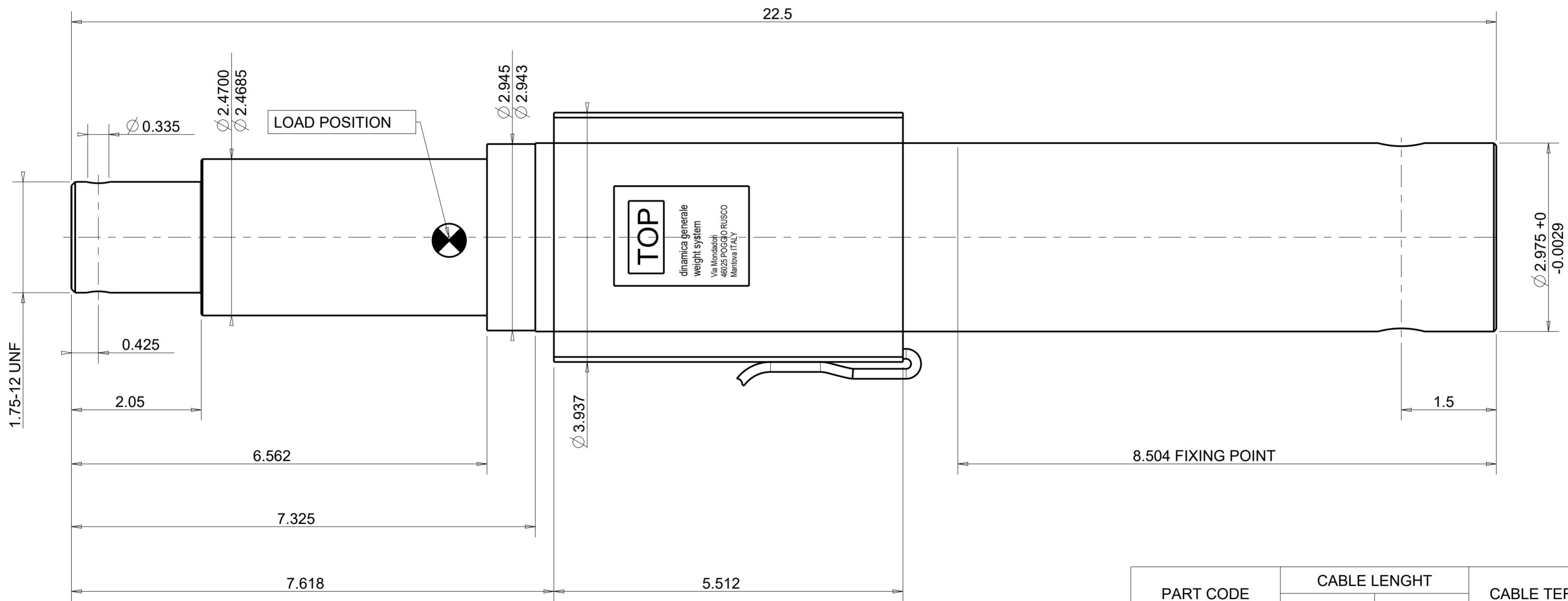
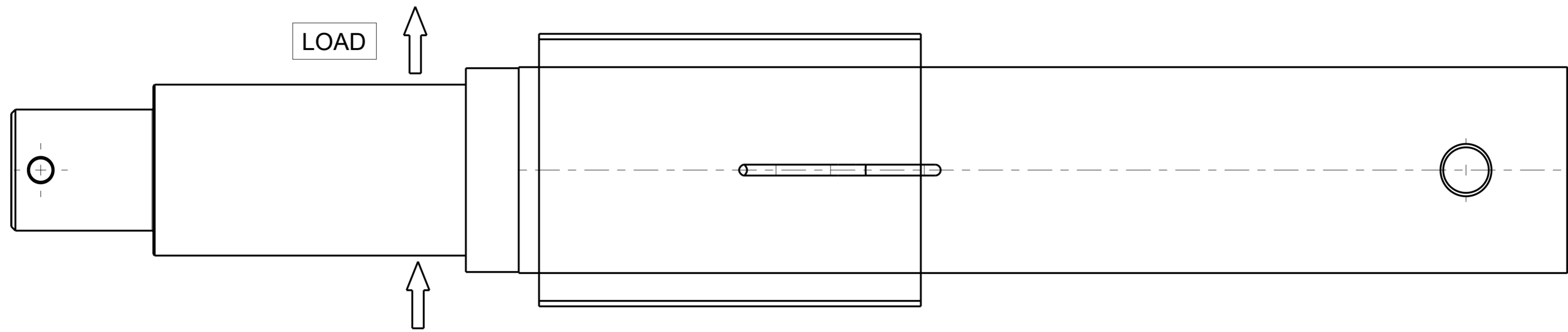
PART CODE	CABLE LENGHT		CABLE TERMINATION
	FT	m	
969-0335	21.3	6.5	ECP

REV.	MOD.N.	DATE	SIGNATURE	DESCRIPTION	SCALE
D	A3	22/09/16	M.B.	Agg. fdm 215_16	A2
C	A2	24/02/16	M.B.	Agg. fdm 39/16	
B	A1	25/09/15	M.B.	Inserito cavo ECP	3/4
A	A0	14/05/15	M.B.	Emissione disegno	
UNSPECIFIED TOLLERANCES					
± 0.5					
ROUGHNESS					
*REFER TO ORIGINAL DRAWING IF SIGNATURE ARE PRINTED					
DESCRIPTION					
MOBILE Load Cell DG18144/75-FD C=6.5m + ECP_DG					
CODE					
969-0335				REV. A3	THE COPY OF THIS DRAWING MUST BE APPROVED BY DINAMICA GENERALE

**DINAMICA GENERALE**  
Weight Systems  
46025 Poggio Rusco (MN)  
Via Mondadori, 15  
Tel. ++39 0386.52134  
Fax ++39 0386.51523

MEASURES EXPRESSED IN INCHES

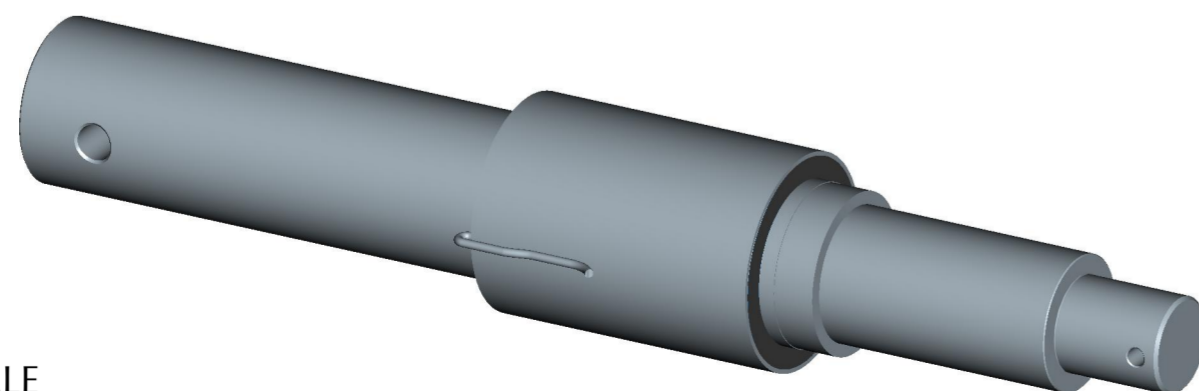
NOTE: Item not painted



TOP  
 dinamica generale  
 weight system  
 Via Mondadori,  
 46025 POGGIO RUSCO  
 Mantova (ITALY)

This documents is for reference,  
 dimensions are subject to change.

ALL RIGHTS OF THE PROJECT STRICTLY  
 RESERVED TO DINAMICA GENERALE.  
 REPRODUCTION OR ISSUE TO THIRD  
 PARTIES IN ANY FORM WHATEVER IS,  
 NOT PERMITTED WITHOUT WRITTEN  
 AUTHORIZATION FROM DINAMICA GENERALE



INPUT +	RED
INPUT -	BLACK
OUTPUT +	GREEN
OUTPUT -	WHITE

SPECIFICATIONS	MOBILE
RATED LOAD (LBS)	20000
RATED LOAD (Kg)	9072
RATED OUTPUT (mV/V)	1.00

PART CODE	CABLE LENGHT		CABLE TERMINATION
	FT	m	
969-0335	21.3	6.5	ECP

D	A3	22/09/16	M.B.	Agg. fdm 215_16	A2
C	A2	24/02/16	M.B.	Agg. fdm 39/16	
B	A1	25/09/15	M.B.	Inserito cavo ECP	SCALE 33/100
A	A0	14/05/15	M.B.	Emissione disegno	
REV.	MOD.N.	DATE	SIGNATURE	DESCRIPTION	UNSPECIFIED TOLLERANCES
					± 0.02
				*DRAWN 14/05/2015 *CHECKED 14/05/2015 *APPROVED 14/05/2015 SIGNATURE M.Bresciani A.Barbi M.Gilli WEIGHT [lbs] 40.098 *REFER TO ORIGINAL DRAWING IF SIGNATURE ARE PRINTED DESCRIPTION MOBILE Load Cell DG18144/75-FD C=6.5m + ECP_DG CODE 969-0335 REV. A3	ROUGHNESS
46025 Poggio Rusco (MN) Via Mondadori, 15 Tel. ++39 0386.52134 Fax ++39 0386.51523				THE COPY OF THIS DRAWING MUST BE APPROVED BY DINAMICA GENERALE	