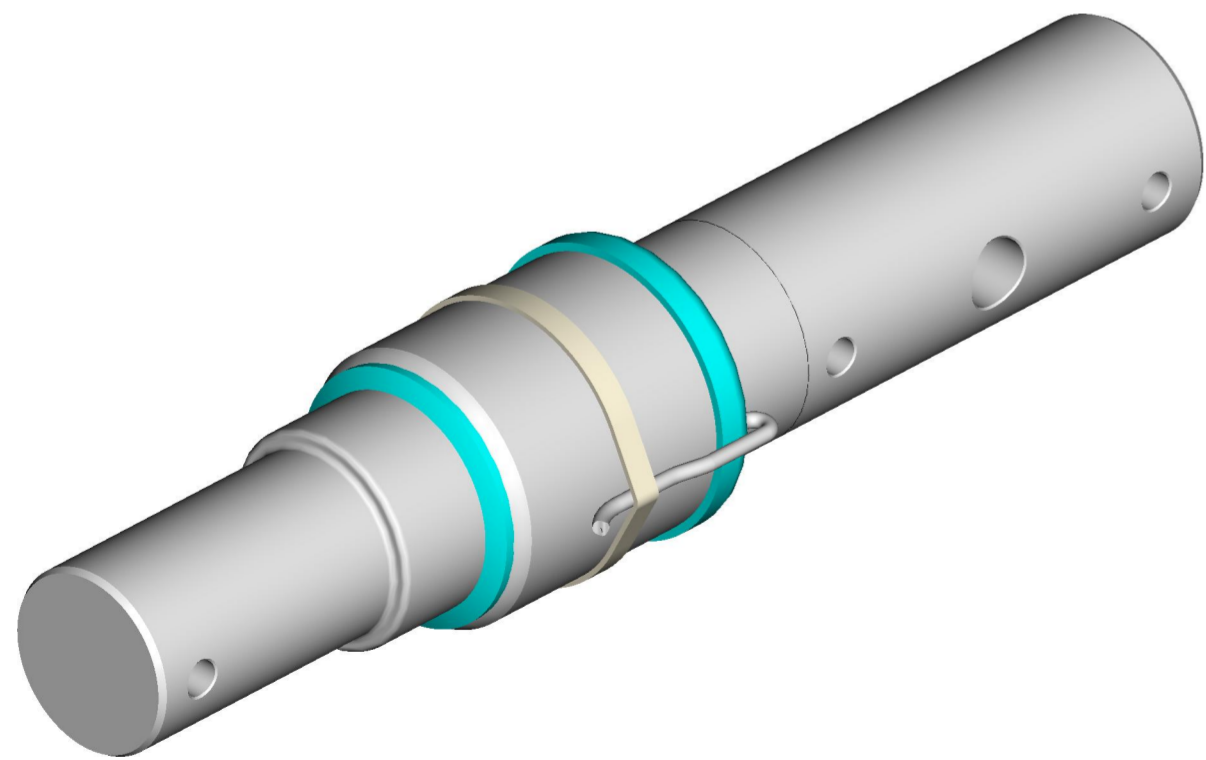


Bushing Tolerance
 $\varnothing 63.5 +0.2/+0.3$



This documents is for reference, dimensions are subject to change.

ALL RIGHTS OF THE PROJECT STRICTLY RESERVED TO DINAMICA GENERALE. REPRODUCTION OR ISSUE TO THIRD PARTIES IN ANY FORM WHATEVER IS, NOT PERMITTED WITHOUT WRITTEN AUTHORIZATION FROM DINAMICA GENERALE

INPUT +	RED
INPUT -	BLACK
OUTPUT +	GREEN
OUTPUT -	WHITE

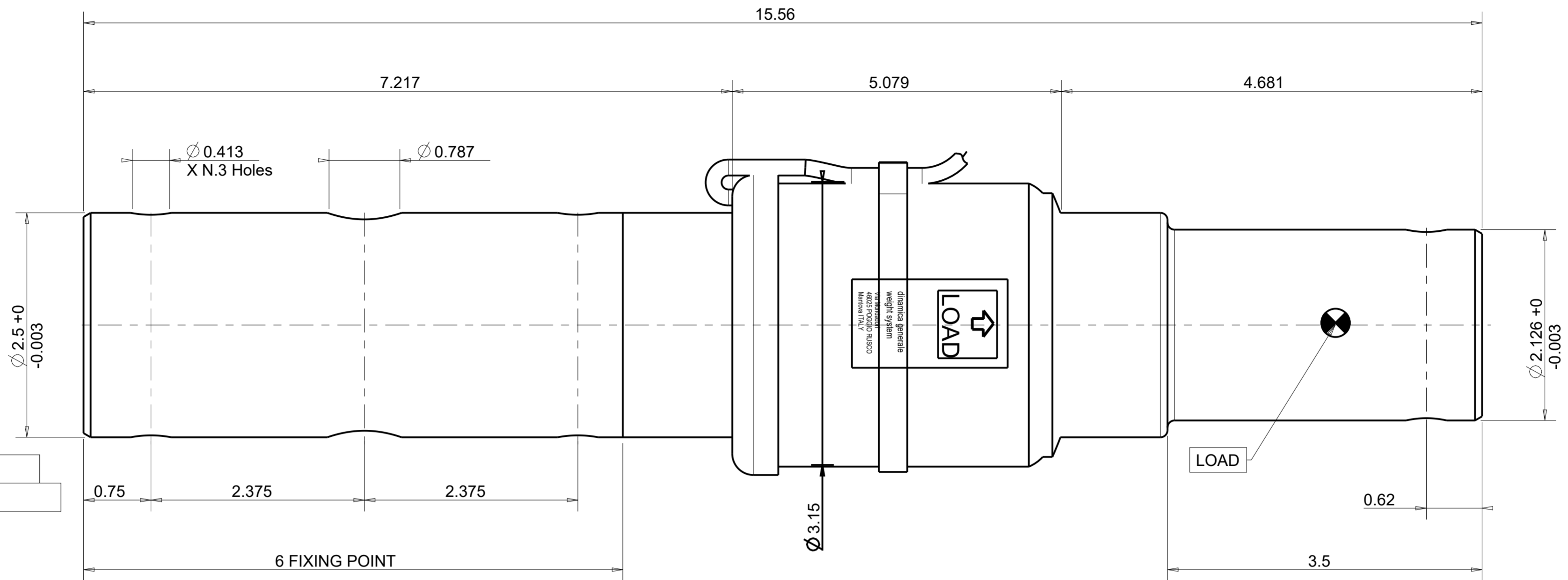
SPECIFICATIONS	MOBILE
RATED LOAD (LBS)	12500
RATED LOAD (Kg)	5670
RATED OUTPUT (mV/V)	0.625

PART CODE	CABLE LENGHT		CABLE TERMINATION
	FT	m	
969-0373	30.2	9.2	SPM

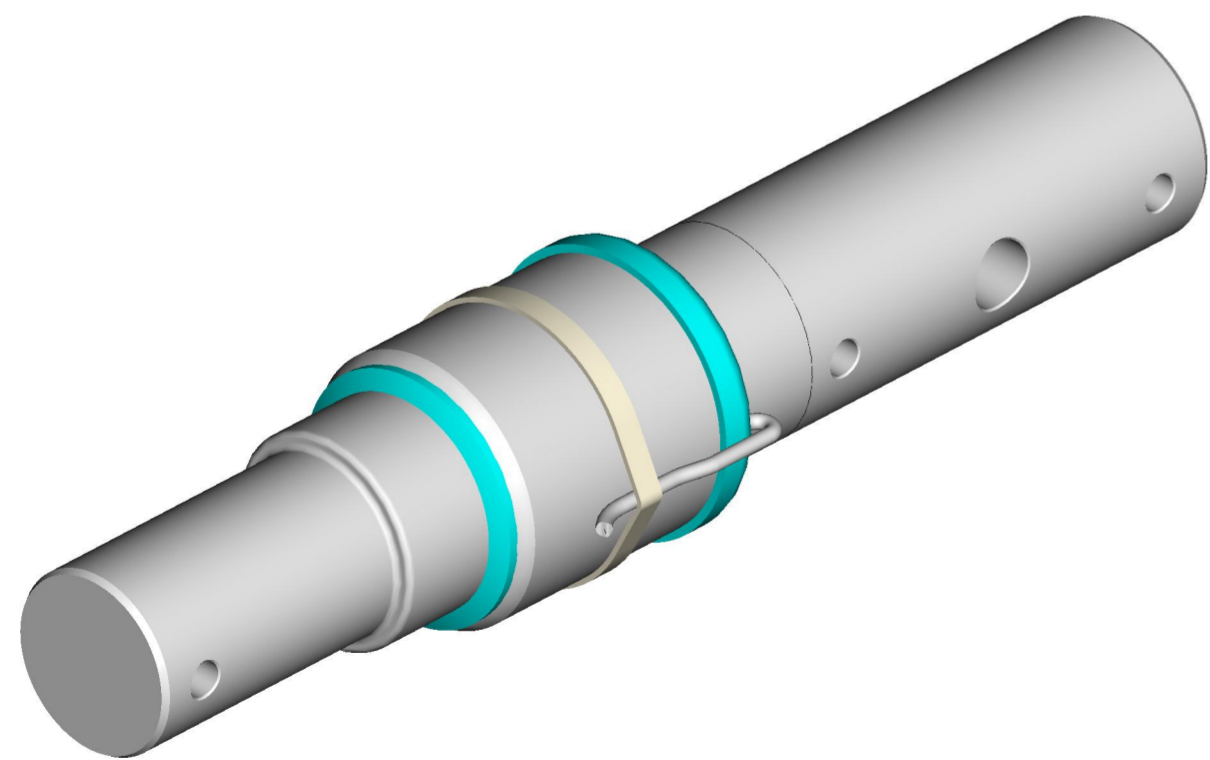
C	A1	21/04/17	M.B.	Agg. fdm 106-17	SCALE	A2	
B	A0	22/04/16	M.B.	Emissione disegno			
A	REV.	MOD.N.	DATE	SIGNATURE	DESCRIPTION	1/1	
				*DRAWN	*CHECKED	*APPROVED	UNSPECIFIED TOLLERANCES
				DATE	22/04/2016	22/04/2016	22/04/2016
				SIGNATURE	M.Bresciani	A.Barbi	M.Gilli
				WEIGHT [kg]	9.219	*REFER TO ORIGINAL DRAWING IF SIGNATURE ARE PRINTED	
				DESCRIPTION			
				Cella MOBILE DG18144/63.5-DH C=9m + SPM_DG			
				CODE	969-0373	REV.	A1
				THE COPY OF THIS DRAWING MUST BE APPROVED BY DINAMICA GENERALE			

DINAMICA GENERALE
 Weight Systems
 46025 Poggio Rusco (MN)
 Via Mondadori, 15
 Tel. ++39 0386.52134
 Fax ++39 0386.51523

MEASURES EXPRESSED IN INCHES



Bushing Tolerance
 $\phi 2.5 +0.008/+0.012$



This documents is for reference, dimensions are subject to change.

ALL RIGHTS OF THE PROJECT STRICTLY RESERVED TO DINAMICA GENERALE. REPRODUCTION OR ISSUE TO THIRD PARTIES IN ANY FORM WHATEVER IS, NOT PERMITTED WITHOUT WRITTEN AUTHORIZATION FROM DINAMICA GENERALE

INPUT +	RED
INPUT -	BLACK
OUTPUT +	GREEN
OUTPUT -	WHITE

SPECIFICATIONS	MOBILE
RATED LOAD (LBS)	12500
RATED LOAD (Kg)	5670
RATED OUTPUT (mV/V)	0.625

PART CODE	CABLE LENGTH		CABLE TERMINATION
	FT	m	
969-0373	30.2	9.2	SPM

C	A1	21/04/17	M.B.	Agg. fdm 106-17	SCALE 1/1	A2
B	A0	22/04/16	M.B.	Emissione disegno		
REV.	MOD.N.	DATE	SIGNATURE	DESCRIPTION	UNSPECIFIED TOLLERANCES ± 0.02	
					ROUGHNESS	
					*REFER TO ORIGINAL DRAWING IF SIGNATURE ARE PRINTED	
 DINAMICA GENERALE Weight Systems 46025 Poggio Rusco (MN) Via Mondadori, 15 Tel. ++39 0386.52134 Fax ++39 0386.51523				DESCRIPTION Cella MOBILE DG18144/63.5-DH C=9m + SPM_DG		
				CODE	969-0373	REV. A1
						THE COPY OF THIS DRAWING MUST BE APPROVED BY DINAMICA GENERALE