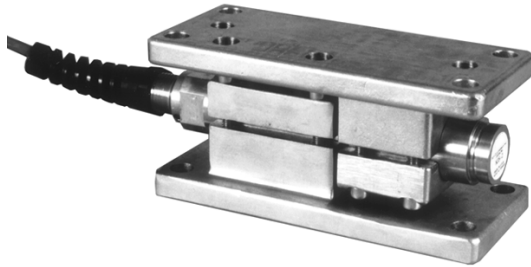


Web Tension Measurement Module



FEATURES

- Full Wheatstone bridge construction with temperature-compensated, Micro-Measurements SR-4® foil strain gages
- Easy retrofit with existing machine pillow blocks
- 100% stainless steel construction
- IP67/NEMA 4 environmental sealing
- Factory calibration eliminates need for on-site test weights

DESCRIPTION

HTK Web Tension Measurement Modules are designed to measure vertical forces in the up or down direction and mount directly below roller pillow blocks in new or existing installations. Each module includes an integral top and bottom adapter plate with hole mounting arrangements for typical installations found in the roofing, converting, printing, and plastic industries. The design also provides safety stop installation points at each corner.

Transducer and mounting hardware components are 100% stainless steel for use in harsh, industrial environments. Module sealing meets NEMA 4 and IP67 requirements. An integral cable conduit fitting and epoxy sealed strain gages ensure long-term reliability in wet or washdown locations.

A full Wheatstone bridge array of temperature compensated, Micro-Measurements SR-4® strain gages are bonded to the 'I' beam type sensing section and factory calibrated for precision accuracy. Resulting temperature stability is due to closely matching the expansion coefficient of the sensing section to patented SR-4® gages.

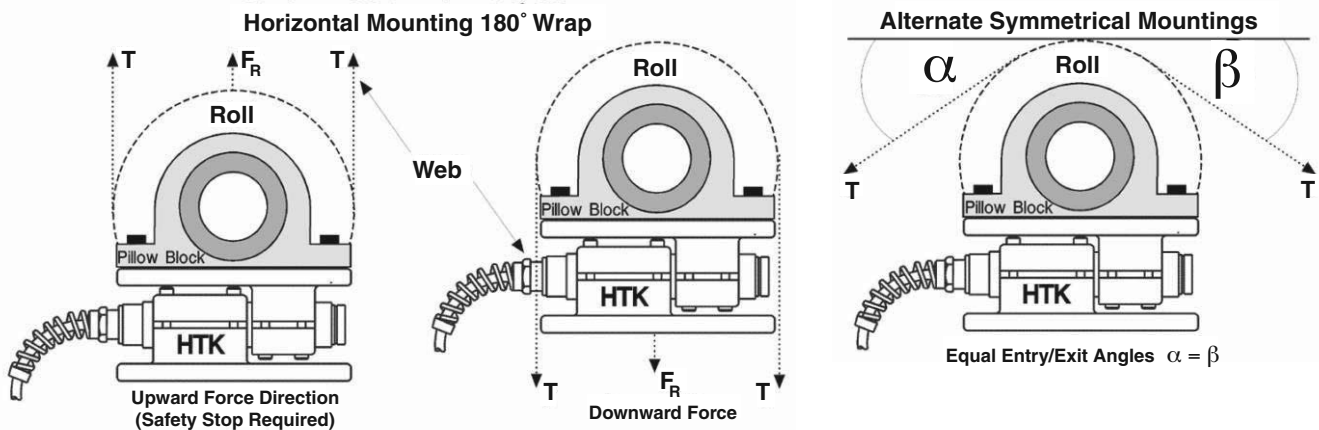
Space required below the pillow block bearing is minimal, resulting in negligible line profile changes on retrofit installations. Overall module height is only 3.27 inches. Low profile, along with rated capacities of 0.5, 1, 2, and 5kN, permits direct replacement of other type load cells.

Modules are calibrated and certified with matched output signals to permit on-site, push-button system calibration.

APPLICATIONS

- Asphalt shingle production equipment
- Paper and converting machinery
- Suitable for applications in harsh, hot environments
- Perfect for 180° wrap angle applications

CONFIGURATION

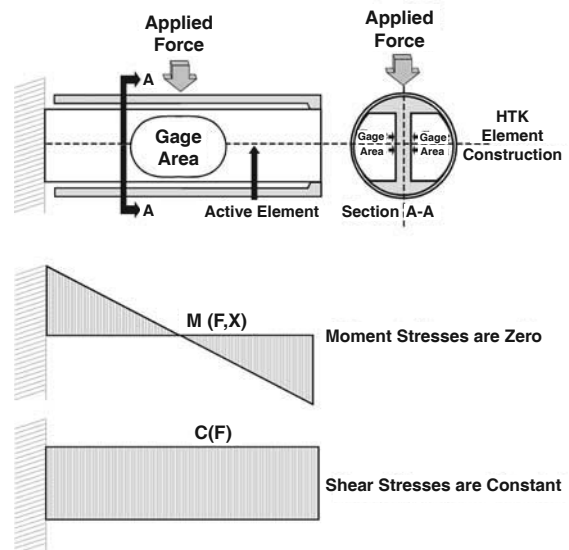


THE DOUBLE CANTILEVER ADVANTAGE

Double cantilever shear beams measure the shear force without errors caused by changing point or moment stresses.

The HTK Web Tension Module incorporates an outer sleeve that can be thought of as a second cantilever, rigidly attached to the free end of the first cantilever. Thus the term double cantilever. With this design, the applied force is brought back to a point directly over the gaged area. A cross section shaped as an 'I' BEAM provides the desired shearing stress while maintaining a high degree of rigidity against bending in all directions. The second cantilever also is effective at isolating load application point stresses from the active element.

Double cantilever shear beams approach the ideal in tension transducer design: they measure the desired force while ignoring any extraneous forces that may be present.



SPECIFICATIONS

Performance

Available Capacities	0.5kN - 5kN (112.5 - 1125lb)
Rated Output (RO)	2.0394mV/V \pm 0.25%
Zero Balance - %RO	5.0
Error- Max. - %RO	0.15 for 0.5kN capacity 0.05 (Combined error, best fit through zero)
Creep - %RO (5 Minutes)	\pm 0.02
Repeatability	0.01% Rated Capacity

Temperature

Compensated Temp.	-1 to +54°C (+30 to +130°F)
Safe Temp.	-40 to +105°C (-40 to 220°F)

Temperature Effects

Zero Balance - %RO	0.0014/°C (0.008/°F)
Output- % Reading	0.0033/°C (0.0018/°F)

Overload Rating - % Rated Capacity

Safe Load	150
Ultimate Load	300
Safe Sideload	100
Ultimate Sideload	200

Electrical

Excitation Voltage	10Vac-dc recommended 20Vac-dc maximum
Input Resistance	350 \pm 3.0 ohms
Output Resistance	350 \pm 3.0 ohms
Insulation Resistance	4Gohms minimum
Connection-4-Cond. Cable	10m (32ft. 10in.)

Material

Beam	Stainless Steel (15-5PH)
Moisture Protection	IEC IP67
Unit Weight	12 pounds - all capacities

Deflection Under Load - mm (in.)

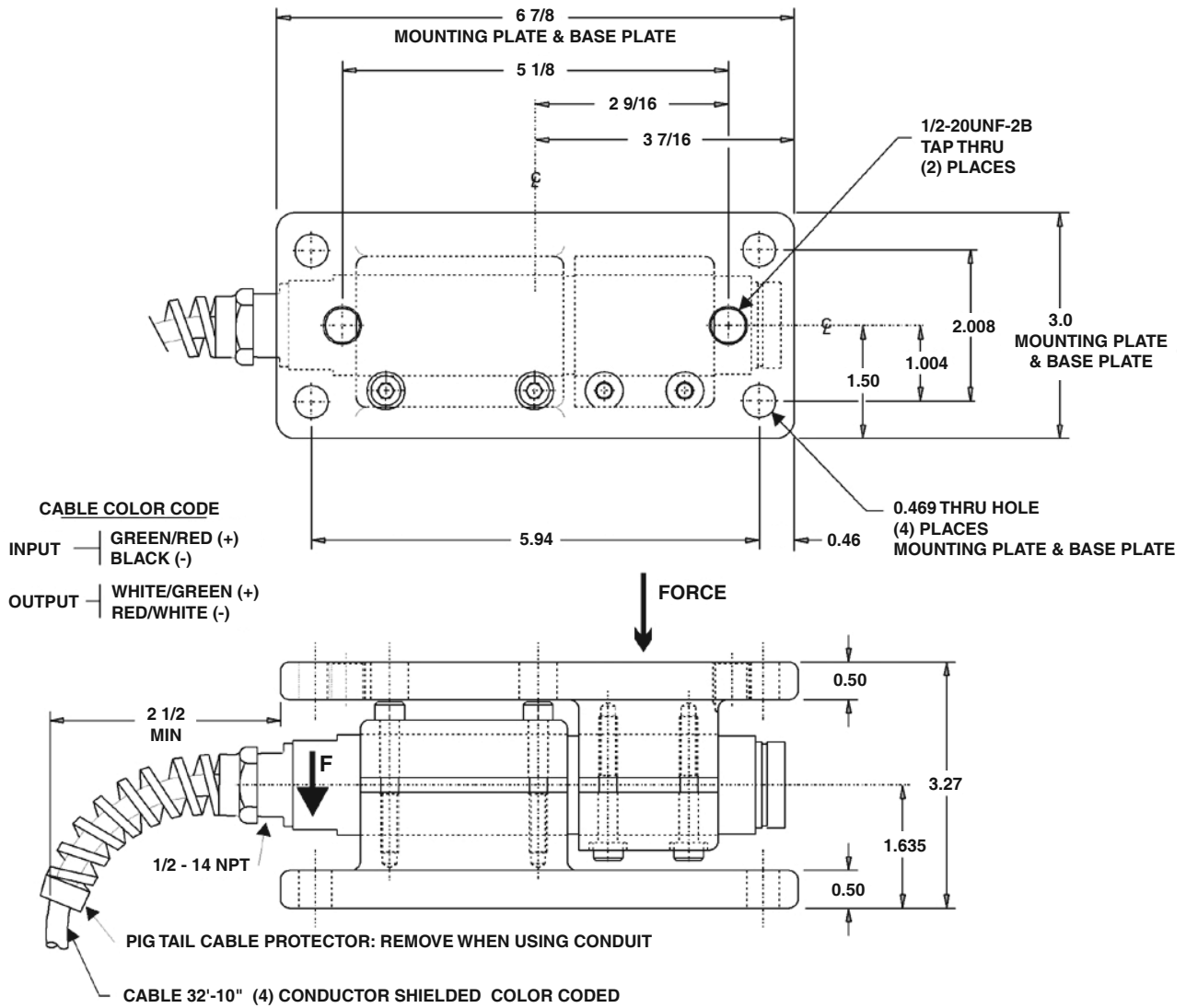
0.5kN	0.101 (0.004)
1kN	0.101 (0.004)
2kN	0.101 (0.004)
5kN	0.152 (0.006)

Approvals

FM (Factory Mutual)	3611 (Class I, II, III; Div.1,2; Groups A-G)
CSA	C22.2 (Class I, II,III; Div.1,2; Groups A-G)

NOTE: 1kN = approx. 225lb

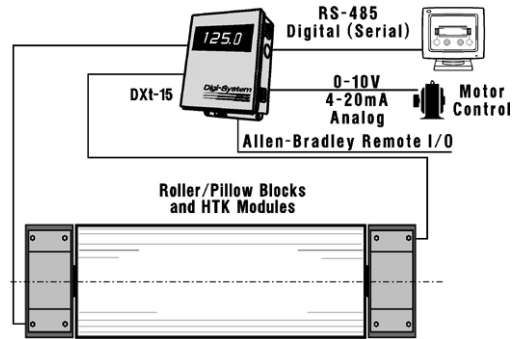
OUTLINE DIMENSIONS



TYPICAL SYSTEM CONFIGURATIONS

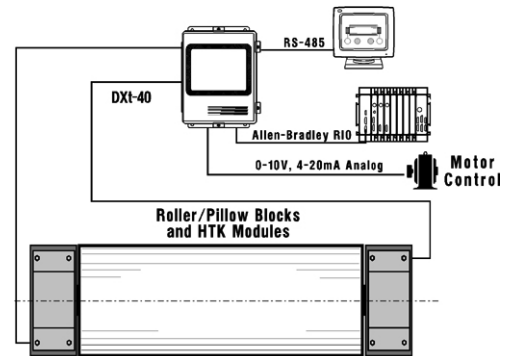
Basic Web Tension System with Symmetrical Wrap Angles

- Analog summing of both ends of roll
- 3 1/2 digit display of total tension
- 4-20mA & 0-10 volt analog output to web tension controller
- RS-485 serial output to computer
- Allen-Bradley Remote I/O Interface to PLC



'Expert' Series Web Tension System

- Continuous display of left, right, or total tension
- Keypad calibration eliminates need for on-site test weights
- Individually digitized transducer data
- Continuous 'Expert System' diagnostics
- Dynamic digital filter
- 750,000 count resolution per channel; 20 updates per second
- Multiple analog outputs
- Display units = pli, lb, kg, N, and N/m
- Allen-Bradley Remote I/O or Modbus Plus Interface to PLC



AVAILABLE INSTRUMENTATION

DXt-15



Display Transmitter

LCT-104



Multi-Zone
Tension Transmitter

DXt-40



Tension Display
Left, Right or Total

AST 3P



High Resolution
Tension Transmitter

PS-2010T



DIN Rail Mount

Disclaimer

ALL PRODUCTS, PRODUCT SPECIFICATIONS AND DATA ARE SUBJECT TO CHANGE WITHOUT NOTICE.

Vishay Precision Group, Inc., its affiliates, agents, and employees, and all persons acting on its or their behalf (collectively, "Vishay Precision Group"), disclaim any and all liability for any errors, inaccuracies or incompleteness contained herein or in any other disclosure relating to any product.

The product specifications do not expand or otherwise modify Vishay Precision Group's terms and conditions of purchase, including but not limited to, the warranty expressed therein.

Vishay Precision Group makes no warranty, representation or guarantee other than as set forth in the terms and conditions of purchase. **To the maximum extent permitted by applicable law, Vishay Precision Group disclaims (i) any and all liability arising out of the application or use of any product, (ii) any and all liability, including without limitation special, consequential or incidental damages, and (iii) any and all implied warranties, including warranties of fitness for particular purpose, non-infringement and merchantability.**

Information provided in datasheets and/or specifications may vary from actual results in different applications and performance may vary over time. Statements regarding the suitability of products for certain types of applications are based on Vishay Precision Group's knowledge of typical requirements that are often placed on Vishay Precision Group products. It is the customer's responsibility to validate that a particular product with the properties described in the product specification is suitable for use in a particular application.

No license, express, implied, or otherwise, to any intellectual property rights is granted by this document, or by any conduct of Vishay Precision Group.

The products shown herein are not designed for use in life-saving or life-sustaining applications unless otherwise expressly indicated. Customers using or selling Vishay Precision Group products not expressly indicated for use in such applications do so entirely at their own risk and agree to fully indemnify Vishay Precision Group for any damages arising or resulting from such use or sale. Please contact authorized Vishay Precision Group personnel to obtain written terms and conditions regarding products designed for such applications.

Product names and markings noted herein may be trademarks of their respective owners.