

Roll Force Measurement System



FEATURES

- Prevent mill overloading
- Increase roll life
- Control product quality
- Replace expensive/complex load cell systems
- Zero tracking with manual override
- Local and remote indication
- Easy retrofit for existing mills
- Direct replacement for Model 56000 systems

DESCRIPTION

Rolling mill separation forces are measured accurately and conveniently with the Nobel/BLH RFS-3 system.

Extensometers on the mill posts provide an electrical signal proportional to the mill separation force. Four AST 3P units read extensometer signals from both sides of the mill and amplify them. All four amplifiers are connected to a Modbus interface that allows them to exchange data. Sum (total), difference (work-drive), work total, and drive total values can be displayed on any unit. Analog signal outputs for each value are available on the rear panel rack terminals.

Separate relay outputs are provided for "Metal in the Mill" and "Mill Overload" conditions.

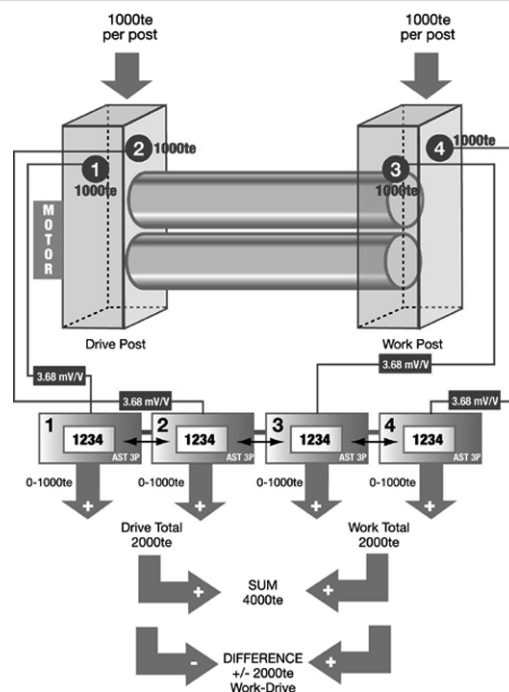
"Deltacom" interface software (supplied at no charge) provides PC access and storage capability. All outputs and settings for each AST 3P can be viewed, uploaded for storage, and subsequently downloaded into a replacement unit, if necessary.

For system component information, please refer to the Vishay Nobel AST 3P and BLH Extensometer data sheets.

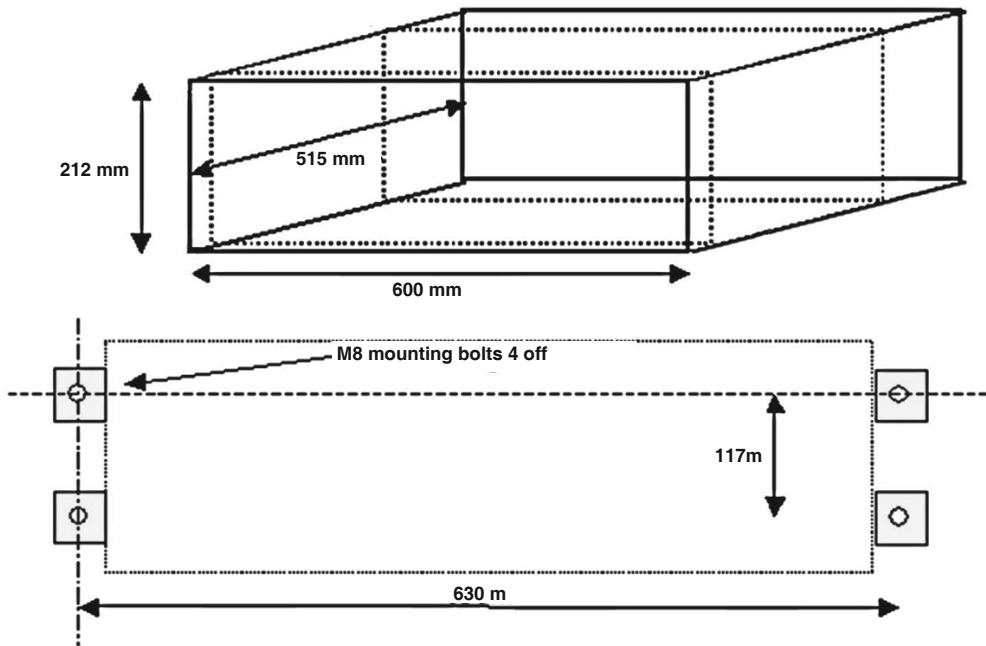
APPLICATIONS

- Rolling mills
- Overload safety systems

CONFIGURATION



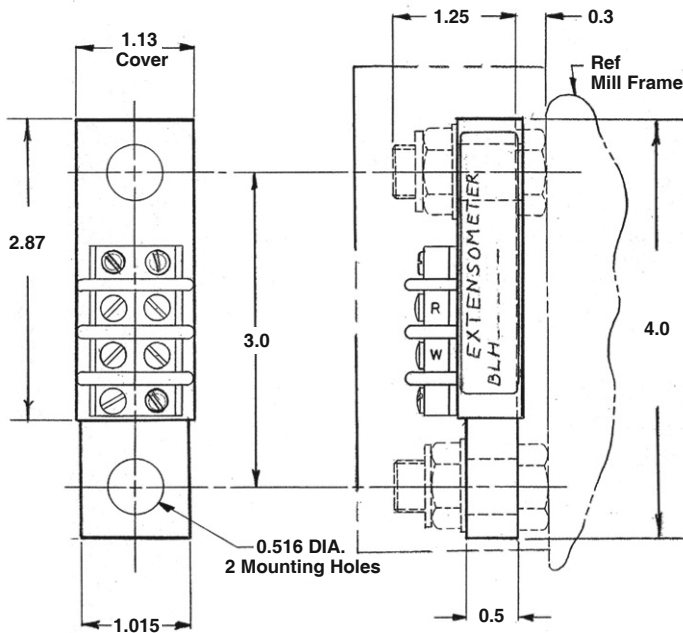
OUTLINE DIMENSIONS - RFS-3 ENCLOSURE



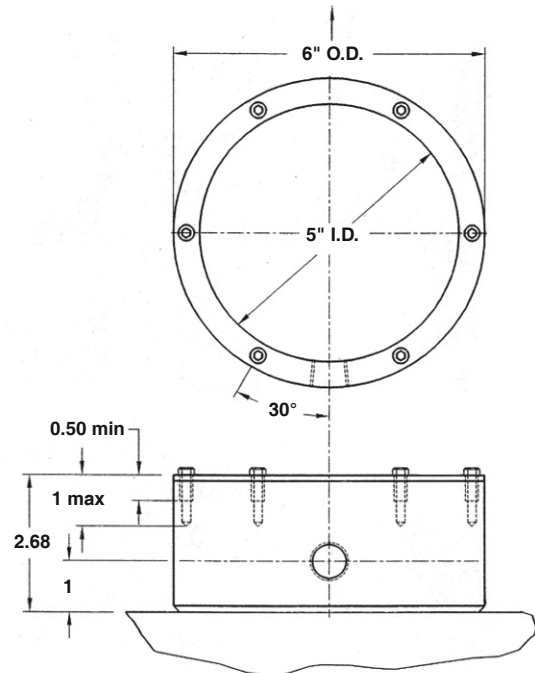
SPECIFICATIONS - RFS-3

Power requirements:	100-240Vac 50/60Hz	Communication:	Digital outputs of Drive side and Work side forces RS 485 levels, Modbus protocol. All settings available to view with Nobel's "Deltacom" software which is supplied with the system.
Input signals:	0-10mV/V	Operating temperature range:	+32 to +122°F (0 to +50°C)
Output signals:		Dimensions:	Approx. 600 x 500 x 220mm (23.62 x 19.68 x 8.66 in.)
Work side force	0-10V, 0-20mA or 0-20mA	Weight:	Approx. 15kg (33lb)
Drive side force	0-10V, 0-20mA or 0-20mA		
Total force (Sum)	0-10V or 0-20mA		
Force balance (Difference)	±0-10V		
Relay contacts:	Metal in mill, overload (all 1A, 30V)		
Response time:	<100ms		
Input controls:	Re-zero, zero track		

OUTLINE DIMENSIONS - EXTENSOMETER



Extensometer Outline



Cover Outline

SPECIFICATIONS EXTENSOMETER

Accuracy ¹ :	<±0.85% of F.S.O.
Nonlinearity:	<±0.25% of F.S.O.
Hysteresis:	<±0.40% of F.S.O.
Repeatability:	±0.5% of F.S.O.
Calibrated output:	8mV/V ± 0.5% = 66.6µm/m (microstrain)
Overload capability	
Zero ² :	300% of F.S.O. (24mV/V)
Maximum:	550% of F.S.O. (44mV/V)
Strain bridge	
Input resistance:	500Ω ± 100Ω
Output resistance:	350Ω ± 50Ω
Insulation resistance:	5000MΩ
Excitation:	10V DC

Thermal effects (24°C to 65°C)	
Zero ³ :	±0.055%/°C of F.S.O.
Rated output:	±0.011%/°C of reading.
Operating temperature range:	-17°C to 121°C

Notes:

1. Accuracy is the Root Sum of the squares of nonlinearity, hysteresis, repeatability and span.
2. Cancelled by the instrument Zero Adjust capability.
3. The autozero capability of the instrument cancels any thermal zero shift.

Disclaimer

ALL PRODUCTS, PRODUCT SPECIFICATIONS AND DATA ARE SUBJECT TO CHANGE WITHOUT NOTICE.

Vishay Precision Group, Inc., its affiliates, agents, and employees, and all persons acting on its or their behalf (collectively, "Vishay Precision Group"), disclaim any and all liability for any errors, inaccuracies or incompleteness contained herein or in any other disclosure relating to any product.

The product specifications do not expand or otherwise modify Vishay Precision Group's terms and conditions of purchase, including but not limited to, the warranty expressed therein.

Vishay Precision Group makes no warranty, representation or guarantee other than as set forth in the terms and conditions of purchase. **To the maximum extent permitted by applicable law, Vishay Precision Group disclaims (i) any and all liability arising out of the application or use of any product, (ii) any and all liability, including without limitation special, consequential or incidental damages, and (iii) any and all implied warranties, including warranties of fitness for particular purpose, non-infringement and merchantability.**

Information provided in datasheets and/or specifications may vary from actual results in different applications and performance may vary over time. Statements regarding the suitability of products for certain types of applications are based on Vishay Precision Group's knowledge of typical requirements that are often placed on Vishay Precision Group products. It is the customer's responsibility to validate that a particular product with the properties described in the product specification is suitable for use in a particular application.

No license, express, implied, or otherwise, to any intellectual property rights is granted by this document, or by any conduct of Vishay Precision Group.

The products shown herein are not designed for use in life-saving or life-sustaining applications unless otherwise expressly indicated. Customers using or selling Vishay Precision Group products not expressly indicated for use in such applications do so entirely at their own risk and agree to fully indemnify Vishay Precision Group for any damages arising or resulting from such use or sale. Please contact authorized Vishay Precision Group personnel to obtain written terms and conditions regarding products designed for such applications.

Product names and markings noted herein may be trademarks of their respective owners.