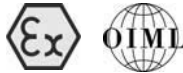


Weigh Module



FEATURES

- Capacity: 50kN (11.2Klb)
- Simple Installation
- Moveable load point
- Withstands very high lateral forces
- Extremely accurate and rugged
- ATEX and OIML approval

DESCRIPTION

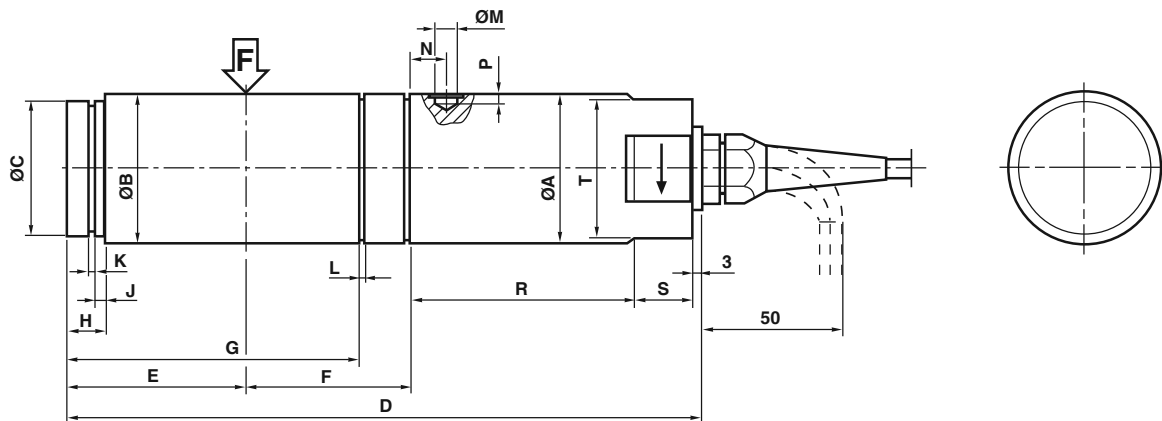
The KIS-11 load cell has several features that clearly distinguish it from other load cells. KIS-11 cells are easy to install and extremely accurate, even when subjected to dynamic process forces and severe environmental conditions.

All KIS load cells can be ATEX certified for use in explosive atmospheres.

APPLICATIONS

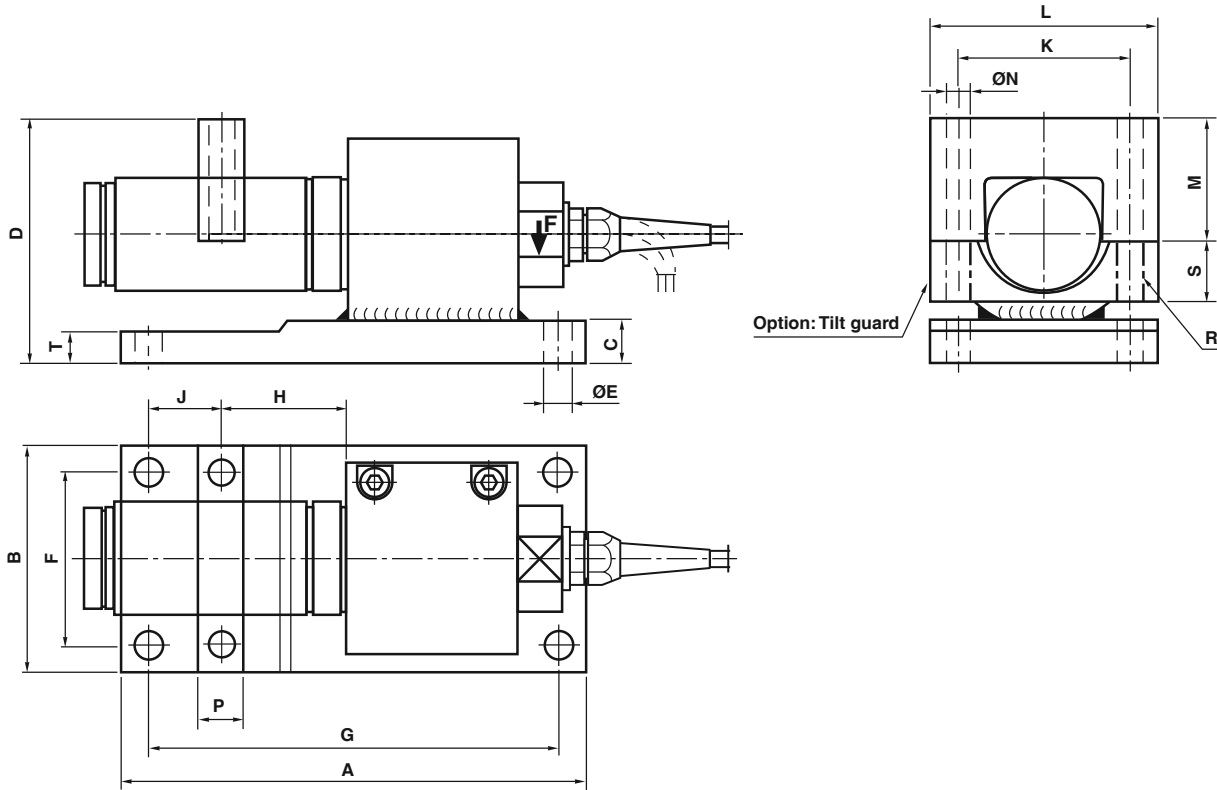
- Batch/blend/mix systems
- Reactor vessels
- Quality-critical process weighing
- Precision force measurement

OUTLINE DIMENSIONS



RANGE kN	ØA	ØB	ØC	D	E	F	G	H	J	K	L	ØM	N	P	R	S	T
50	77	75	70	291	93	65	141.3	12	5	2.65	2.65	9.1	14	7	110	20	60

OUTLINE DIMENSIONS cont.



RANGE kN	A	B	C	D	ØE	F	G	H	J	K	L	M	ØN	P	T	R	S
50	280	150	30	152	16	115	245	65	45.5	115	150	72	18	30	30	M16	43

SPECIFICATIONS

Rated load (R.L.)		50	kN
Combined error (terminal)		±0.02	% of R.O.
Repeatability		0.01	% of R.O.
Overload	safe	100*	% of R.L.
	ultimate	200*	% of R.L.
Sideload	safe	100*	% of R.L.
	ultimate	200*	% of R.L.
Input voltage	recommended	10	V DC or AC
	maximum	18	V DC or AC
Input resistance		350±3	ohm
Output resistance		350±0.5	ohm
Rated output (R.O.)		1.020	mV/V
Tolerance of R.O.		±0.1	% of R.O.
Zero balance		±1	% of R.O.
Tolerance of shunt calibration values		±0.1	% of value**
Creep at R.L. after 30 minutes		±0.04	% of R.L.
Temperature range		-40 to +80 (+100)***	°C
Temperature effect (-10°C to +50°C)	on output	±0.0010	% of output/°C
	on zero balance	±0.0014	% of R.O./°C
Insulation resistance at 200V DC		>4	Gohm
Material: Load Cell		Stainless steel	
Material: Bracket and Yoke		Yellow chromate steel****	
Electrical connection		10m shielded four conductor cable	
Degree of protection		IP 67	
* Referring to recommended loading case		ATEX certified versions for use in explosive atmospheres are available: II 1GD	
** See calibration sheet of the load cell			
*** -40 to +100°C on demand			
**** Stainless steel on demand			
		Approved in accordance with OIML International Recommendations R 60 edition 1991, C3.	

Disclaimer

ALL PRODUCTS, PRODUCT SPECIFICATIONS AND DATA ARE SUBJECT TO CHANGE WITHOUT NOTICE.

Vishay Precision Group, Inc., its affiliates, agents, and employees, and all persons acting on its or their behalf (collectively, "Vishay Precision Group"), disclaim any and all liability for any errors, inaccuracies or incompleteness contained herein or in any other disclosure relating to any product.

The product specifications do not expand or otherwise modify Vishay Precision Group's terms and conditions of purchase, including but not limited to, the warranty expressed therein.

Vishay Precision Group makes no warranty, representation or guarantee other than as set forth in the terms and conditions of purchase. **To the maximum extent permitted by applicable law, Vishay Precision Group disclaims (i) any and all liability arising out of the application or use of any product, (ii) any and all liability, including without limitation special, consequential or incidental damages, and (iii) any and all implied warranties, including warranties of fitness for particular purpose, non-infringement and merchantability.**

Information provided in datasheets and/or specifications may vary from actual results in different applications and performance may vary over time. Statements regarding the suitability of products for certain types of applications are based on Vishay Precision Group's knowledge of typical requirements that are often placed on Vishay Precision Group products. It is the customer's responsibility to validate that a particular product with the properties described in the product specification is suitable for use in a particular application.

No license, express, implied, or otherwise, to any intellectual property rights is granted by this document, or by any conduct of Vishay Precision Group.

The products shown herein are not designed for use in life-saving or life-sustaining applications unless otherwise expressly indicated. Customers using or selling Vishay Precision Group products not expressly indicated for use in such applications do so entirely at their own risk and agree to fully indemnify Vishay Precision Group for any damages arising or resulting from such use or sale. Please contact authorized Vishay Precision Group personnel to obtain written terms and conditions regarding products designed for such applications.

Product names and markings noted herein may be trademarks of their respective owners.