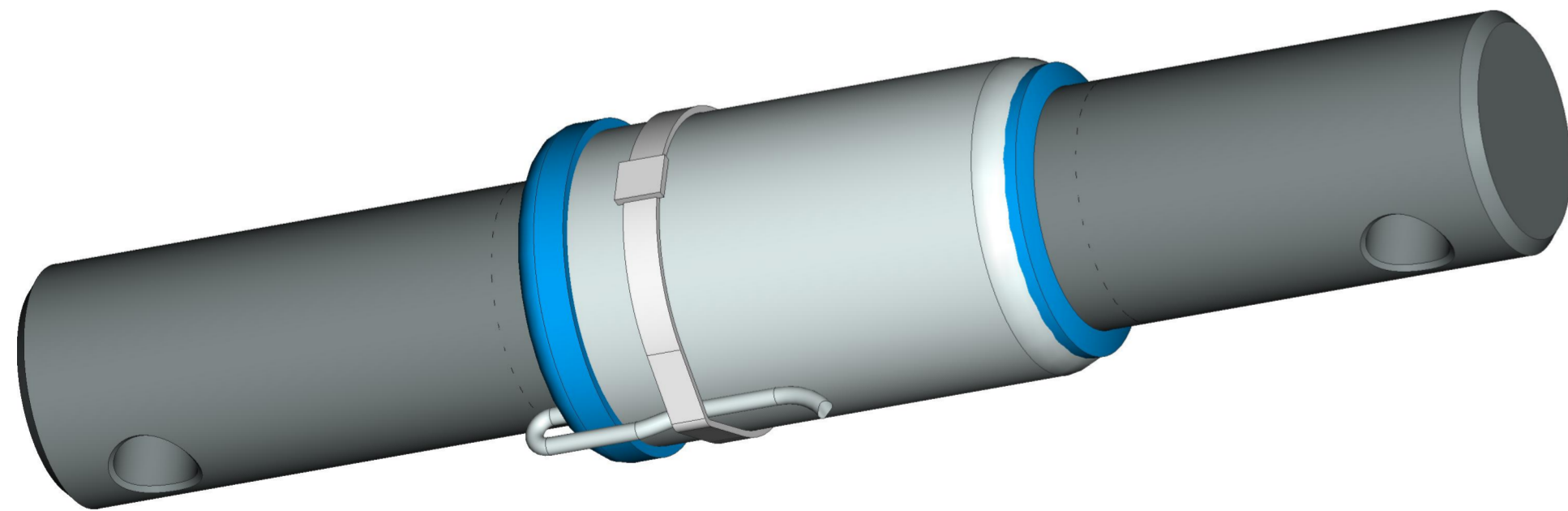


Bushing Tolerance
 $\phi 54 +0.2/+0.3$



This documents is for reference,
 dimensions are subject to change.

ALL RIGHTS OF THE PROJECT STRICTLY
 RESERVED TO DINAMICA GENERALE.
 REPRODUCTION OR ISSUE TO THIRD
 PARTIES IN ANY FORM WHATEVER IS,
 NOT PERMITTED WITHOUT WRITTEN
 AUTHORIZATION FROM DINAMICA GENERALE

INPUT +	RED
INPUT -	BLACK
OUTPUT +	GREEN
OUTPUT -	WHITE

SPECIFICATIONS	STATIC	MOBILE
RATED LOAD (LBS)	13559	9039
RATED LOAD (Kg)	6150	4100
RATED OUTPUT (mV/V)	1.41	0.94

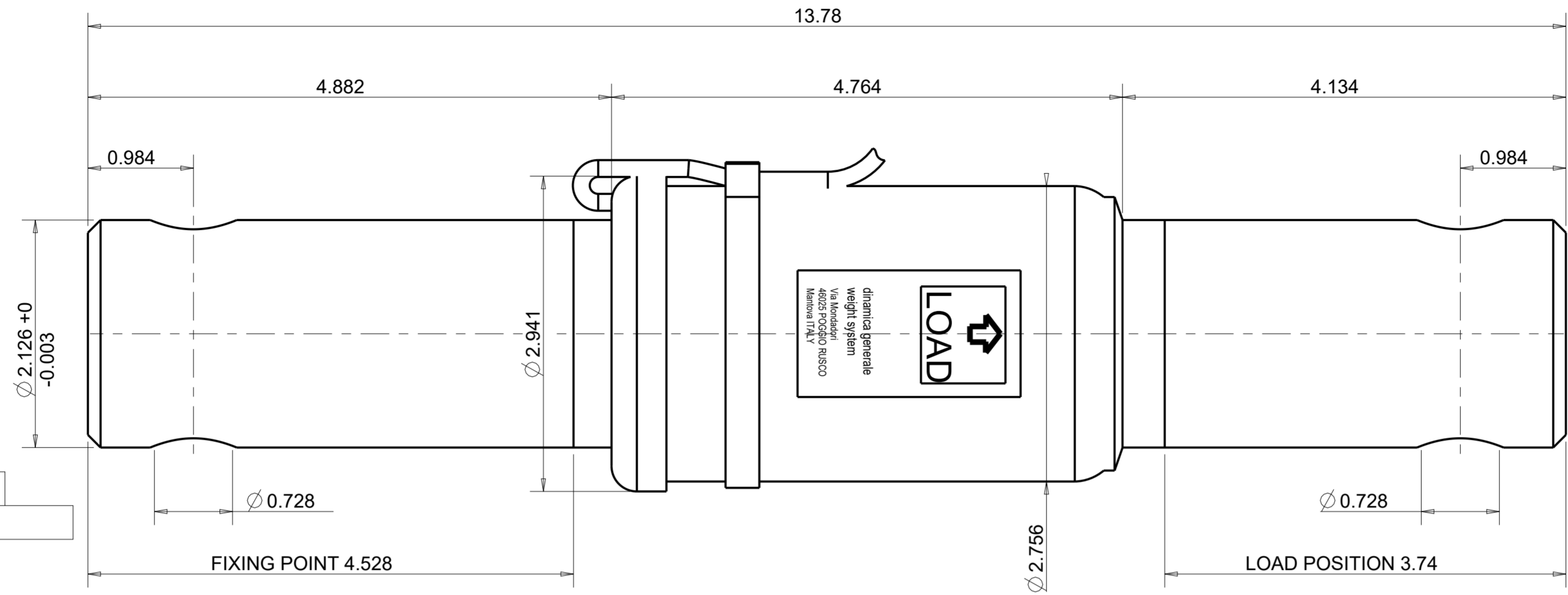
PART CODE	CABLE LENGHT		CABLE TERMINATION
	FT	m	
969-0043	21.3	6.5	ECP

SEE DOCUMENT DGCG01 FOR ADDITIOINAL CABLE INFORMATION
 SEE DOCUMENT DGMG01 FOR ADDITIOINAL MOUNTING GUIDELINES

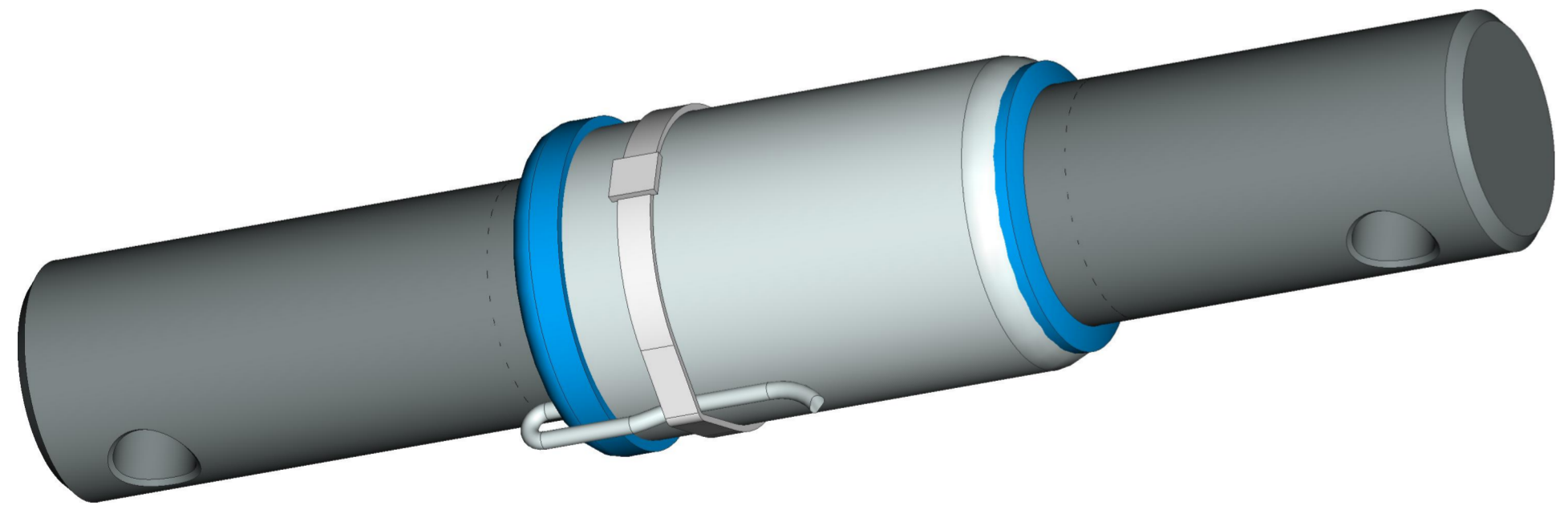
REV.	MOD.N.	DATE	SIGNATURE	DESCRIPTION	SCALE
D	A6	10/10/16	M.B.	Agg. fdm 233/16	A2
C	A5	29/10/14	M.B.	Aggiornamento protettivi	
B	A4	02/11/10	M.B.	Sostituito cavo - standardizzazione codici	
A	A3	02/04/07	M.B.	Rifatto e aggiornato	
SCALE 1/1					
UNSPECIFIED TOLLERANCES					± 0.5
ROUGHNESS					
DESCRIPTION					
MOBILE Load Cell DG8700/54-AP C=6,5m + ECP					
CODE 969-0043					REV. A6
THE COPY OF THIS DRAWING MUST BE APPROVED BY DINAMICA GENERALE					


 DINAMICA GENERALE
 Weight Systems
 46025 Poggio Rusco (MN)
 Via Mondadori, 15
 Tel. ++39 0386.52134
 Fax ++39 0386.51523

MEASURES EXPRESSED IN INCHES



Bushing Tolerance
 $\phi 2.125 +0.008/+0.012$



This documents is for reference, dimensions are subject to change.

ALL RIGHTS OF THE PROJECT STRICTLY RESERVED TO DINAMICA GENERALE. REPRODUCTION OR ISSUE TO THIRD PARTIES IN ANY FORM WHATEVER IS, NOT PERMITTED WITHOUT WRITTEN AUTHORIZATION FROM DINAMICA GENERALE

INPUT +	RED
INPUT -	BLACK
OUTPUT +	GREEN
OUTPUT -	WHITE

SPECIFICATIONS	STATIC	MOBILE
RATED LOAD (LBS)	13559	9039
RATED LOAD (Kg)	6150	4100
RATED OUTPUT (mV/V)	1.41	0.94

PART CODE	CABLE LENGHT		CABLE TERMINATION
	FT	m	
969-0043	21.3	6.5	ECP

SEE DOCUMENT DGCG01 FOR ADDITIONAL CABLE INFORMATION
 SEE DOCUMENT DGMG01 FOR ADDITIONAL MOUNTING GUIDELINES

REV.	MOD.N.	DATE	SIGNATURE	DESCRIPTION	SCALE
D	A6	10/10/16	M.B.	Agg. fdm 233/16	A2
C	A5	29/10/14	M.B.	Aggiornamento protettivi	
B	A4	02/11/10	M.B.	Sostituito cavo - standardizzazione codici	
A	A3	02/04/07	M.B.	Rifatto e aggiornato	
SCALE 1/1					
UNSPECIFIED TOLLERANCES					± 0.02
ROUGHNESS					
*DRAWN: 21/09/2005 *CHECKED: 21/09/2005 *APPROVED: 21/09/2005 SIGNATURE: F.Bottura, A.Barbi, A.Barbi WEIGHT [lbs]: 13.599 *REFER TO ORIGINAL DRAWING IF SIGNATURE ARE PRINTED					MOBILE Load Cell DG8700/54-AP C=6,5m + ECP CODE: 969-0043 REV. A6
DINAMICA GENERALE Weight Systems 46025 Poggio Rusco (MN) Via Mondadori, 15 Tel. ++39 0386.52134 Fax ++39 0386.51523					