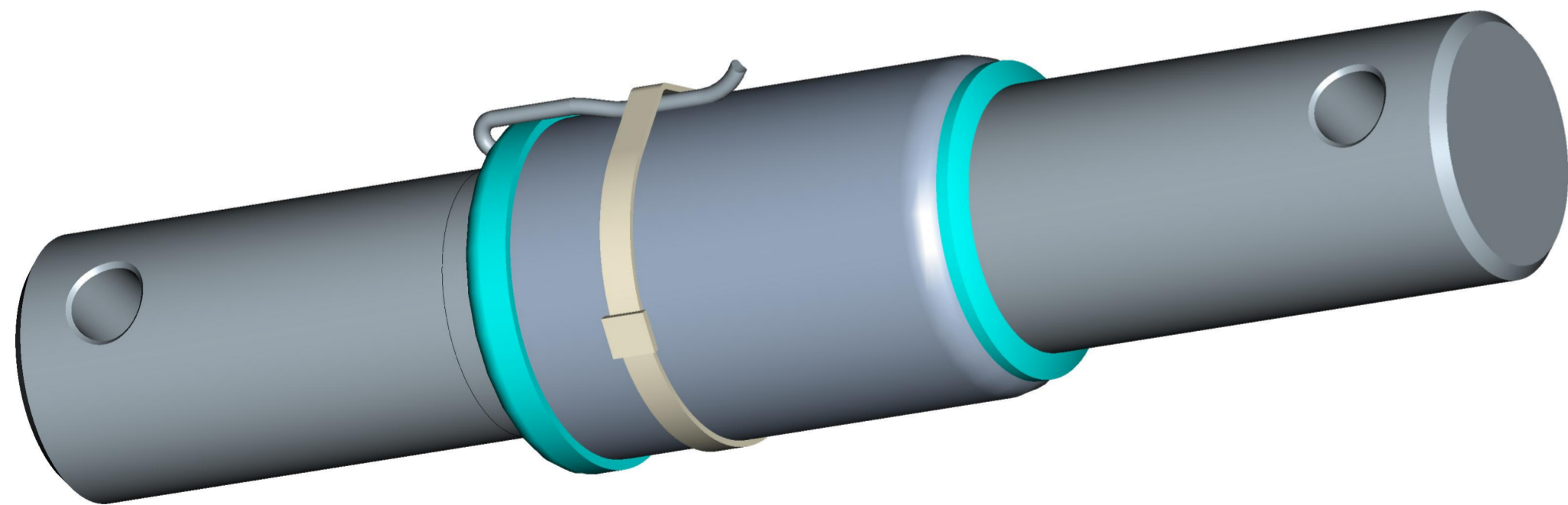


Bushing Tolerance  
 $\varnothing 63 +0.2/+0.3$



INPUT +	RED
INPUT -	BLACK
OUTPUT +	GREEN
OUTPUT -	WHITE

SPECIFICATIONS	STATIC	MOBILE
RATED LOAD (LBS)	16535	11023
RATED LOAD (Kg)	7500	5000
RATED OUTPUT (mV/V)	1.16	0.77

PART CODE	CABLE LENGHT		CABLE TERMINATION
	FT	m	
969-0049	21.3	6.5	ECP

REV.	MOD.N.	DATE	SIGNATURE	DESCRIPTION	SCALE
D	A5	09/05/17	M.B.	Aggiornata lunghezza cavo 6.5m	A2
C	A4	11/10/16	M.B.	Agg. fdm 234-16	
B	A3	05/05/08	M.B.	Inserita scheda universale	
A	A2	28/02/07	M.B.	Ridisegnato e aggiornato	
UNSPECIFIED TOLLERANCES					1/1
DATE					± 0.02
SIGNATURE					ROUGHNESS
WEIGHT [kg]					-
DESCRIPTION					
CODE					

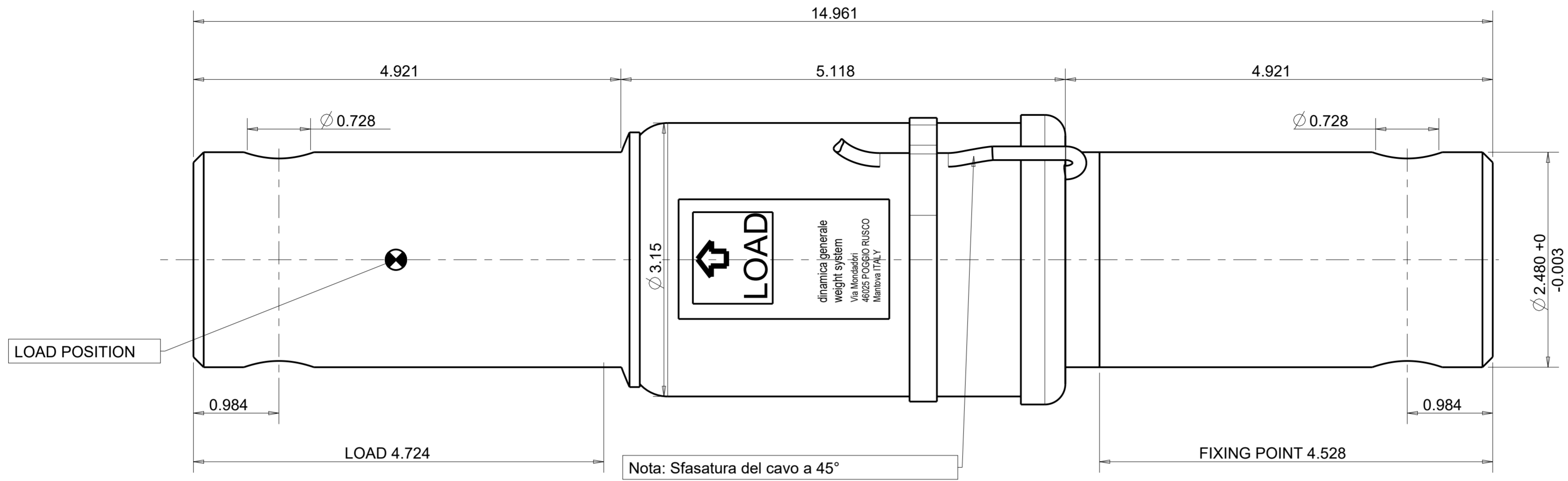
**DINAMICA GENERALE**  
 Weight Systems  
 46025 Poggio Rusco (MN)  
 Via Mondadori, 15  
 Tel. ++39 0386.52134  
 Fax ++39 0386.51523

MOBILE Load Cell DG12954/63-AW C=6.5m + ECP + Sheath  
**969-0049**      **A5**  
 THE COPY OF THIS DRAWING MUST BE APPROVED BY DINAMICA GENERALE

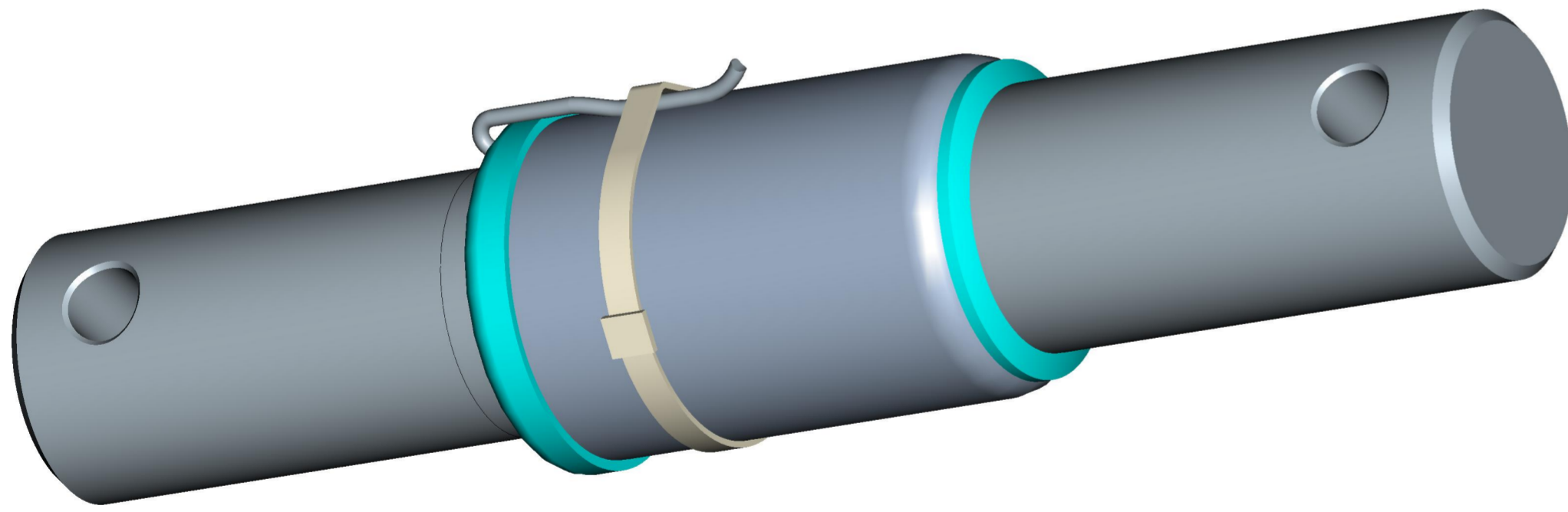
This documents is for reference, dimensions are subject to change.

ALL RIGHTS OF THE PROJECT STRICTLY RESERVED TO DINAMICA GENERALE. REPRODUCTION OR ISSUE TO THIRD PARTIES IN ANY FORM WHATEVER IS, NOT PERMITTED WITHOUT WRITTEN AUTHORIZATION FROM DINAMICA GENERALE

MEASURES EXPRESSED IN INCHES



Bushing Tolerance  
 $\varnothing 2.48 +0.008/+0.012$



This documents is for reference, dimensions are subject to change.

ALL RIGHTS OF THE PROJECT STRICTLY RESERVED TO DINAMICA GENERALE. REPRODUCTION OR ISSUE TO THIRD PARTIES IN ANY FORM WHATEVER IS, NOT PERMITTED WITHOUT WRITTEN AUTHORIZATION FROM DINAMICA GENERALE

INPUT +	RED
INPUT -	BLACK
OUTPUT +	GREEN
OUTPUT -	WHITE

SPECIFICATIONS	STATIC	MOBILE
RATED LOAD (LBS)	16535	11023
RATED LOAD (Kg)	7500	5000
RATED OUTPUT (mV/V)	1.16	0.77

PART CODE	CABLE LENGHT		CABLE TERMINATION
	FT	m	
969-0049	21.3	6.5	ECP

REV.	MOD.N.	DATE	SIGNATURE	DESCRIPTION	SCALE
D	A5	09/05/17	M.B.	Aggiornata lunghezza cavo 6.5m	A2
C	A4	11/10/16	M.B.	Agg. fdm 234-16	
B	A3	05/05/08	M.B.	Inserita scheda universale	
A	A2	28/02/07	M.B.	Ridisegnato e aggiornato	
1/1					
UNSPECIFIED TOLLERANCES					± 0.02
WEIGHT [lbs]					ROUGHNESS
20.672					-
DESCRIPTION					
MOBILE Load Cell DG12954/63-AW C=6.5m + ECP + Sheath					
CODE					
969-0049					
REV.					
A5					
THE COPY OF THIS DRAWING MUST BE APPROVED BY DINAMICA GENERALE					

**DINAMICA GENERALE**  
 Weight Systems  
 46025 Poggio Rusco (MN)  
 Via Mondadori, 15  
 Tel. ++39 0386.52134  
 Fax ++39 0386.51523