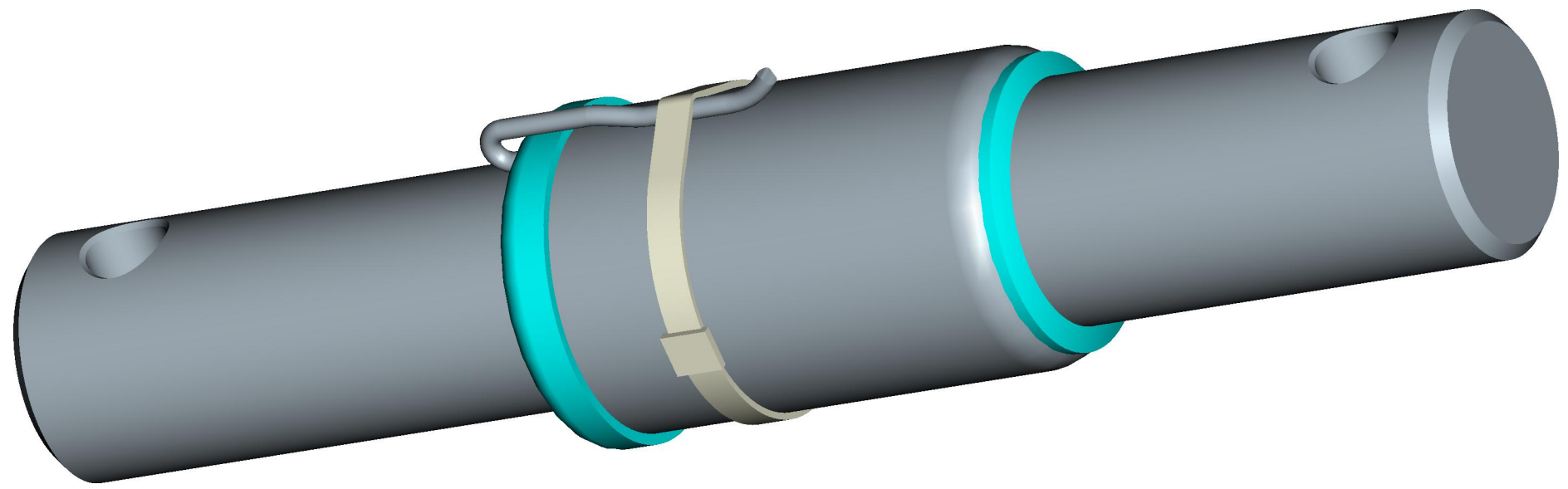


Bushing Tolerance
 $\varnothing 54 +0.2/+0.3$



This documents is for reference, dimensions are subject to change.

ALL RIGHTS OF THE PROJECT STRICTLY RESERVED TO DINAMICA GENERALE. REPRODUCTION OR ISSUE TO THIRD PARTIES IN ANY FORM WHATEVER IS, NOT PERMITTED WITHOUT WRITTEN AUTHORIZATION FROM DINAMICA GENERALE

INPUT +	RED
INPUT -	BLACK
OUTPUT +	GREEN
OUTPUT -	WHITE

SPECIFICATIONS	STATIC	MOBILE
RATED LOAD (LBS)	13559	9039
RATED LOAD (Kg)	6150	4100
RATED OUTPUT (mV/V)	1.41	0.94

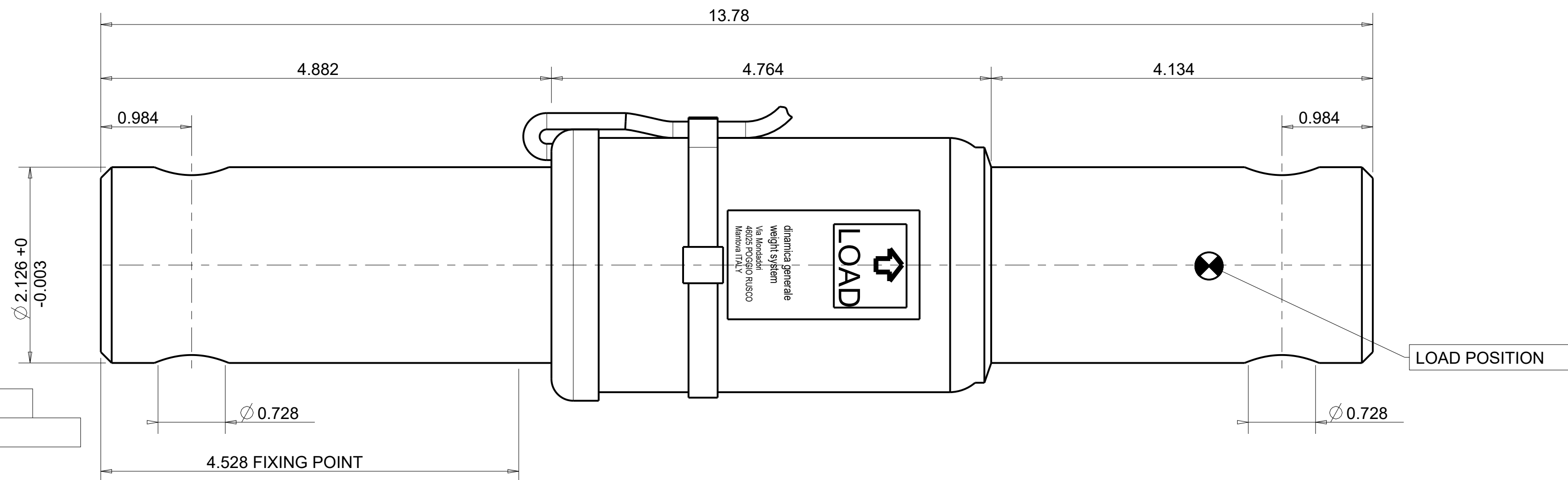
PART CODE	CABLE LENGHT		CABLE TERMINATION
	FT	m	
969-0060	21.3	6.5	Wires

REV.	MOD.N.	DATE	SIGNATURE	DESCRIPTION	SCALE
D	A4	17/05/17	M.B.	Agg. fdm 129/17	A2
C	A3	29/10/14	M.B.	Aggiornamento protettivi	
B	A2	16/04/09	M.B.	Introdotta cavo 009-0079	
A	A1	19/02/07	M.B.	Rifatto e aggiornato	
UNSPECIFIED TOLLERANCES					1/1
DATE					± 0.5
SIGNATURE					ROUGHNESS
WEIGHT [kg]					-
DESCRIPTION					
CODE					

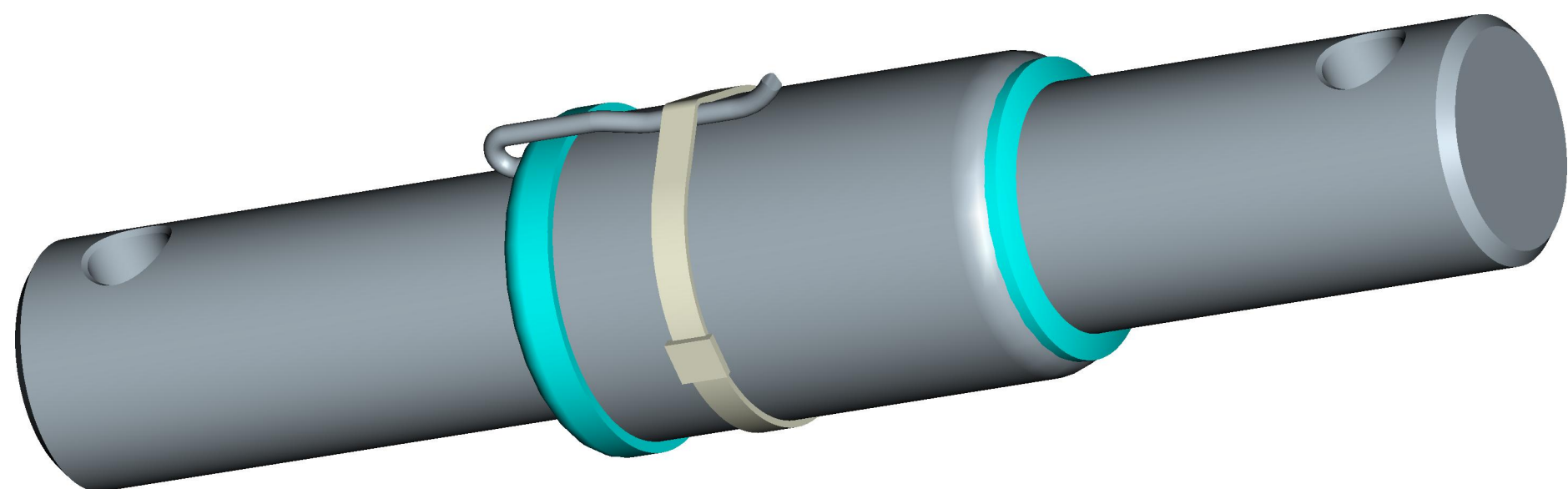
DINAMICA GENERALE
 Weight Systems
 46025 Poggio Rusco (MN)
 Via Mondadori, 15
 Tel. ++39 0386.52134
 Fax ++39 0386.51523

MOBILE Load Cell DG8700/54-AP C=6,5m
969-0060
A4
 THE COPY OF THIS DRAWING MUST BE APPROVED BY DINAMICA GENERALE

MEASURES EXPRESSED IN INCHES



Bushing Tolerance
 $\phi 2.126 +0.008/+0.012$



This documents is for reference, dimensions are subject to change.

ALL RIGHTS OF THE PROJECT STRICTLY RESERVED TO DINAMICA GENERALE. REPRODUCTION OR ISSUE TO THIRD PARTIES IN ANY FORM WHATEVER IS, NOT PERMITTED WITHOUT WRITTEN AUTHORIZATION FROM DINAMICA GENERALE

INPUT +	RED
INPUT -	BLACK
OUTPUT +	GREEN
OUTPUT -	WHITE

SPECIFICATIONS	STATIC	MOBILE
RATED LOAD (LBS)	13559	9039
RATED LOAD (Kg)	6150	4100
RATED OUTPUT (mV/V)	1.41	0.94

PART CODE	CABLE LENGHT		CABLE TERMINATION
	FT	m	
969-0060	21.3	6.5	Wires

REV.	MOD.N.	DATE	SIGNATURE	DESCRIPTION	SCALE
D	A4	17/05/17	M.B.	Agg. fdm 129/17	A2
C	A3	29/10/14	M.B.	Aggiornamento protettivi	
B	A2	16/04/09	M.B.	Introdotta cavo 009-0079	
A	A1	19/02/07	M.B.	Rifatto e aggiornato	
UNSPECIFIED TOLLERANCES					
					1/1
					± 0.02
					ROUGHNESS
					-
DESCRIPTION					
MOBILE Load Cell DG8700/54-AP C=6,5m					
CODE					REV.
969-0060					A4
THE COPY OF THIS DRAWING MUST BE APPROVED BY DINAMICA GENERALE					

DINAMICA GENERALE
 Weight Systems
 46025 Poggio Rusco (MN)
 Via Mondadori, 15
 Tel. ++39 0386.52134
 Fax ++39 0386.51523