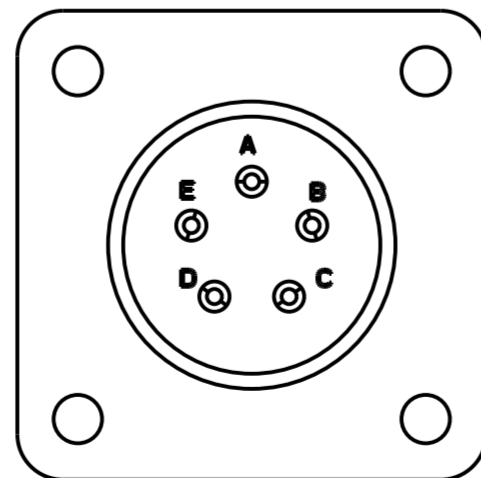
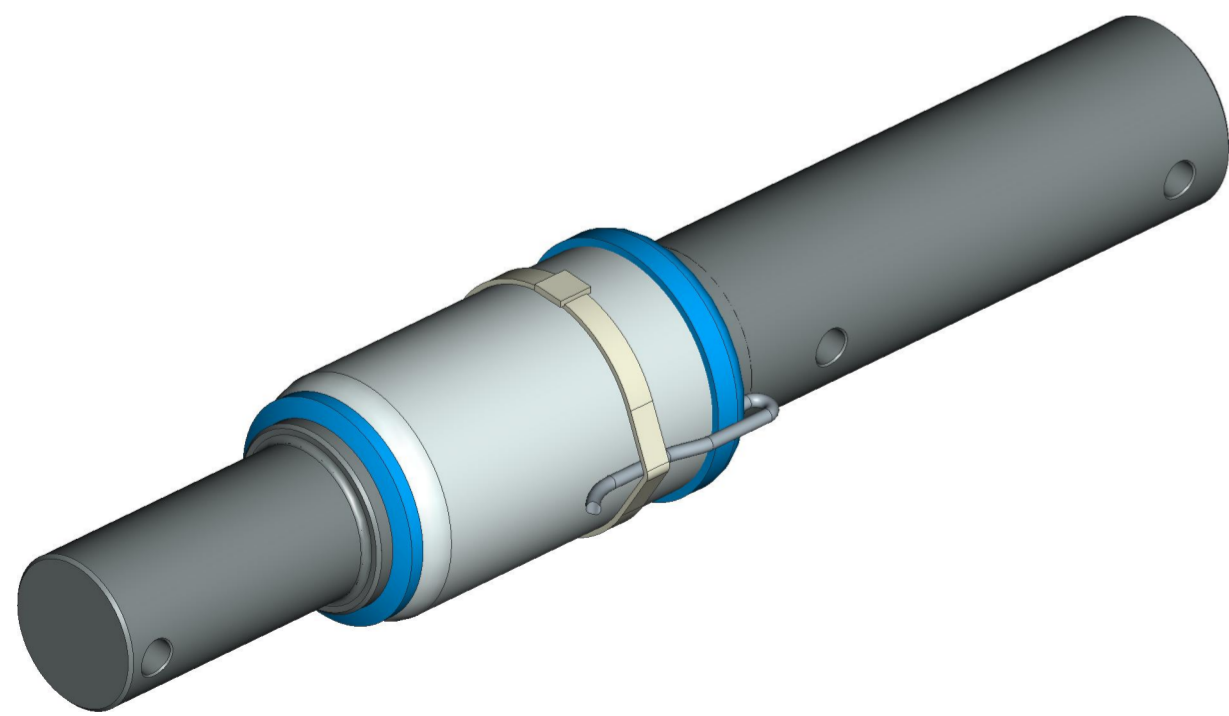


Bushing Tolerance
 $\phi 54 +0.2/+0.3$



INPUT +	RED	B
INPUT -	BLACK	D
OUTPUT +	GREEN	C
OUTPUT -	WHITE	A
BRAID	YELLOW	E

SPECIFICATIONS	STATIC	MOBILE
RATED LOAD (LBS)	13559	9039
RATED LOAD (Kg)	6150	4100
RATED OUTPUT (mV/V)	1.44	0.96

PART CODE	CABLE LENGHT		CABLE TERMINATION
	FT	m	
969-0074	16.4	5	SPM

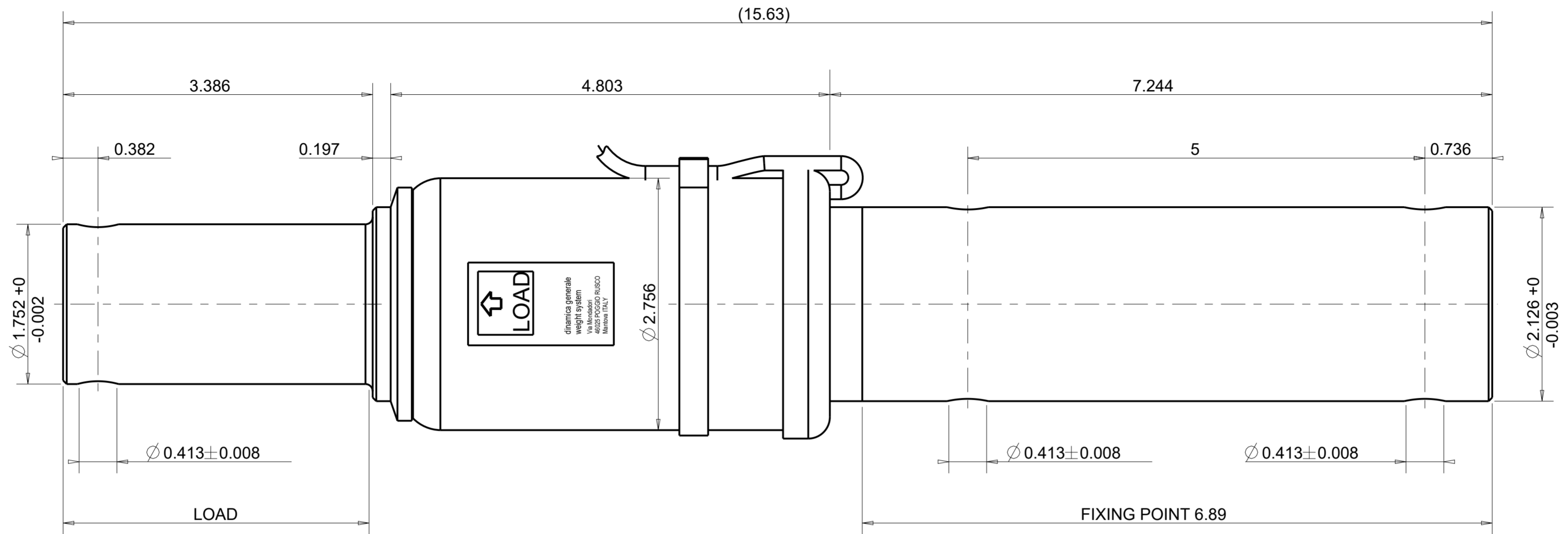
REV.	MOD.N.	DATE	SIGNATURE	DESCRIPTION	SCALE
D	A7	02/05/17	M.B.	Aggiornata lunghezza cavo 5m	A2
C	A6	11/10/16	M.B.	Agg. fdm 234-16	
B	A5	23/01/13	M.B.	Aggiornamento protettivi	
A	A4	05/04/07	M.B.	Ridisegnato e aggiornato	
SCALE 1/1					
UNSPECIFIED TOLLERANCES ± 0.5					
ROUGHNESS					
*REFER TO ORIGINAL DRAWING IF SIGNATURE ARE PRINTED					
DESCRIPTION MOBILE Load Cell DG8500/54-BK1 C=5m + SPM					
CODE 969-0074				REV. A7	
THE COPY OF THIS DRAWING MUST BE APPROVED BY DINAMICA GENERALE					

ALL RIGHTS OF THE PROJECT STRICTLY RESERVED TO DINAMICA GENERALE. REPRODUCTION OR ISSUE TO THIRD PARTIES IN ANY FORM WHATEVER IS, NOT PERMITTED WITHOUT WRITTEN AUTHORIZATION FROM DINAMICA GENERALE

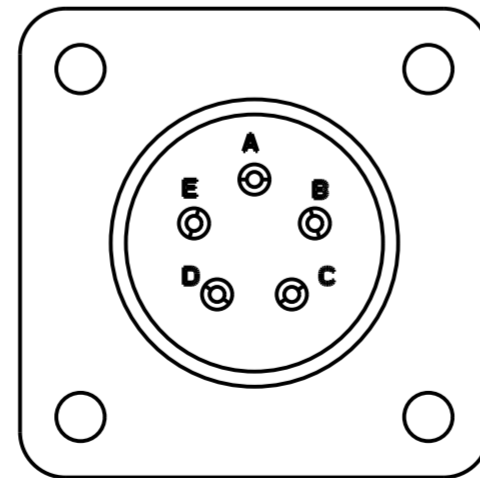
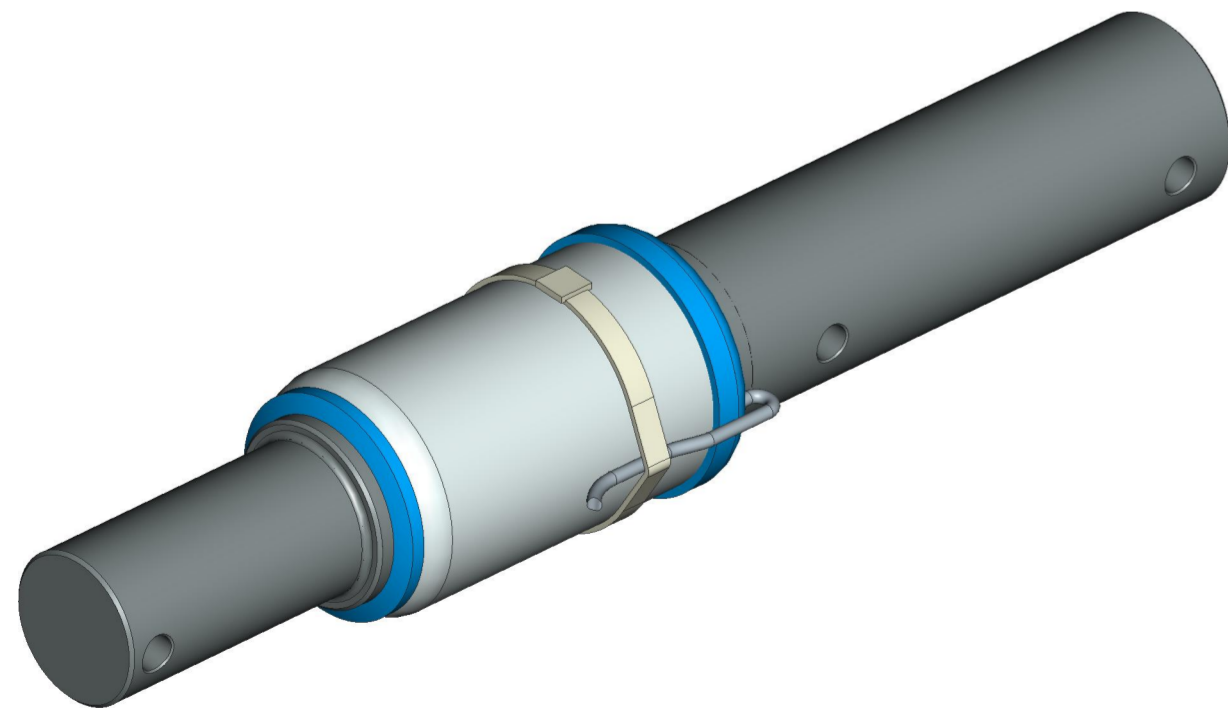
This documents is for reference dimensions are subject to change.


DINAMICA GENERALE
 Weight Systems
 46025 Poggio Rusco (MN)
 Via Mondadori, 15
 Tel. ++39 0386.52134
 Fax ++39 0386.51523

MEASURES EXPRESSED IN INCHES



Bushing Tolerance
 $\varnothing 2.126 +0.008/+0.012$



INPUT +	RED	B
INPUT -	BLACK	D
OUTPUT +	GREEN	C
OUTPUT -	WHITE	A
BRAID	YELLOW	E

SPECIFICATIONS	STATIC	MOBILE
RATED LOAD (LBS)	13559	9039
RATED LOAD (Kg)	6150	4100
RATED OUTPUT (mV/V)	1.44	0.96

PART CODE	CABLE LENGHT		CABLE TERMINATION
	FT	m	
969-0074	16.4	5	SPM

REV.	MOD.N.	DATE	SIGNATURE	DESCRIPTION	SCALE		
D	A7	02/05/17	M.B.	Aggiornata lunghezza cavo 5m	A2		
C	A6	11/10/16	M.B.	Agg. fdm 234-16			
B	A5	23/01/13	M.B.	Aggiornamento protettivi			
A	A4	05/04/07	M.B.	Ridisegnato e aggiornato			
REV.	MOD.N.	DATE	SIGNATURE	DESCRIPTION			
				*DRAWN	*CHECKED	*APPROVED	UNSPECIFIED TOLLERANCES
				DATE	14/11/2005	14/11/2005	14/11/2005
				SIGNATURE	F.Bottura	A.Barbi	A.Barbi
				WEIGHT [lbs]	14.652	*REFER TO ORIGINAL DRAWING IF SIGNATURE ARE PRINTED	
				DESCRIPTION	MOBILE Load Cell DG8500/54-BK1 C=5m + SPM		
				CODE	969-0074	REV.	A7
				THE COPY OF THIS DRAWING MUST BE APPROVED BY DINAMICA GENERALE			

ALL RIGHTS OF THE PROJECT STRICTLY RESERVED TO DINAMICA GENERALE. REPRODUCTION OR ISSUE TO THIRD PARTIES IN ANY FORM WHATEVER IS, NOT PERMITTED WITHOUT WRITTEN AUTHORIZATION FROM DINAMICA GENERALE

This documents is for reference dimensions are subject to change.