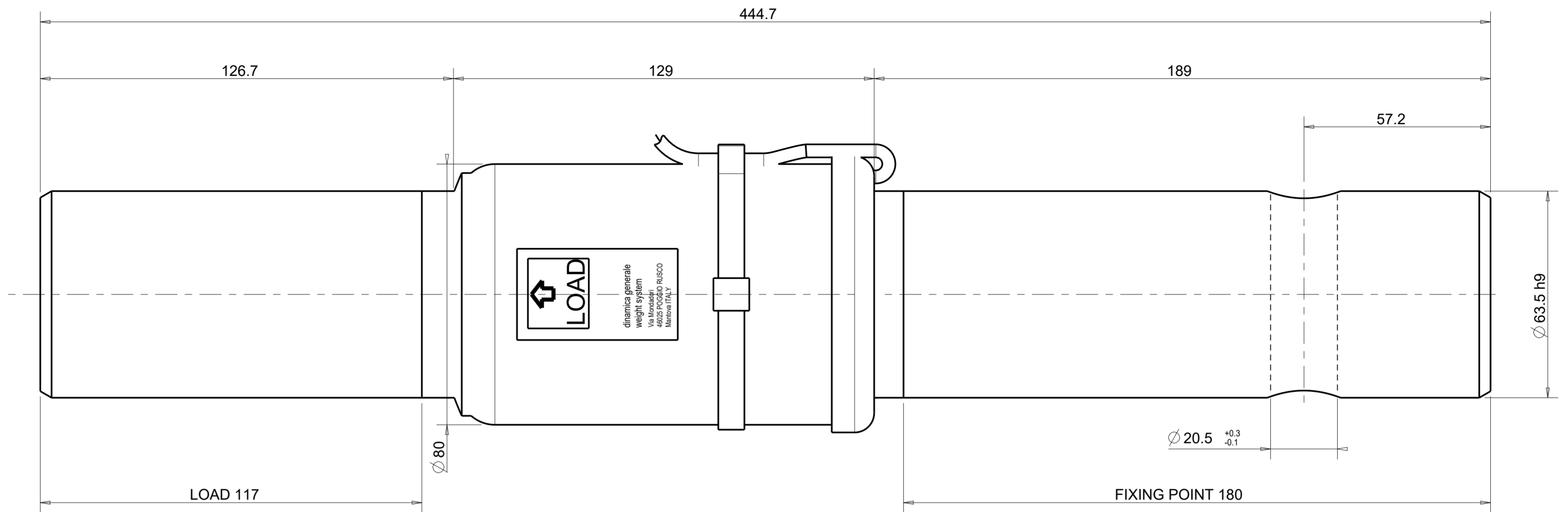
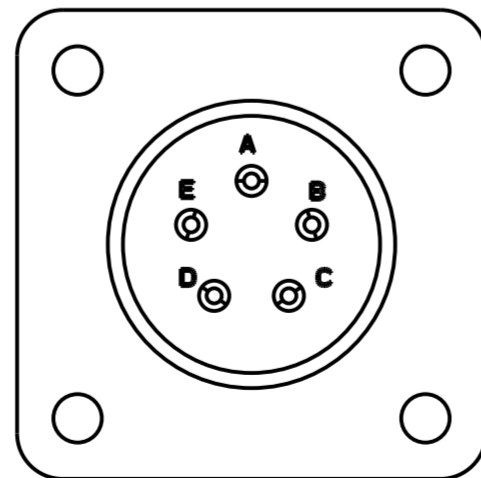
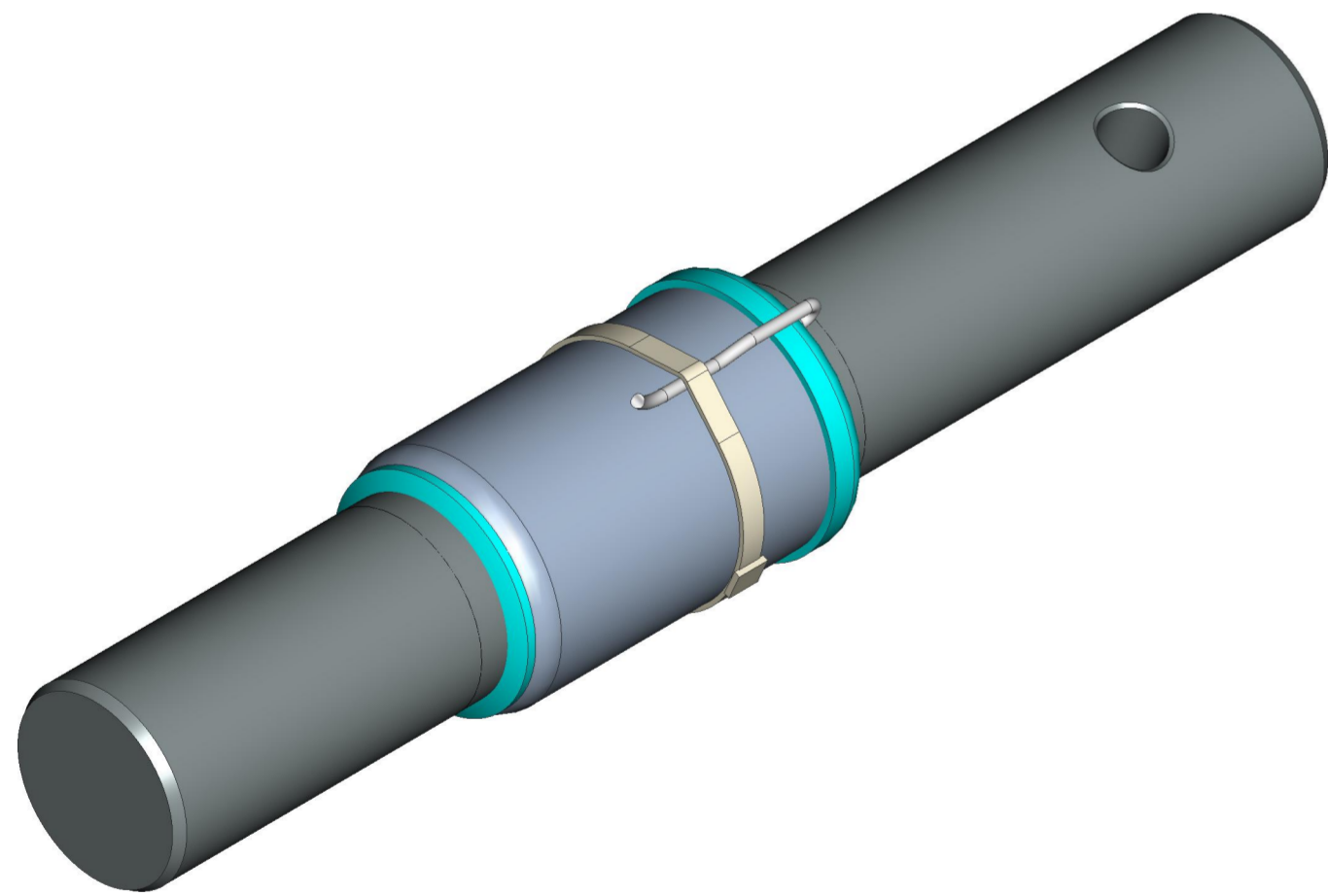


NOTE: Item not painted



Bushing Tolerance

∅ 63.5 +0.2/+0.3



INPUT +	RED	B
INPUT -	BLACK	D
OUTPUT +	GREEN	C
OUTPUT -	WHITE	A
BRAID	YELLOW	E

SPECIFICATIONS	STATIC	MOBILE
RATED LOAD (LBS)	16535	11023
RATED LOAD (Kg)	7500	5000
RATED OUTPUT (mV/V)	1.03	0.69

PART CODE	CABLE LENGHT		CABLE TERMINATION
	FT	m	
969-0076	21.3	6.5	SPM

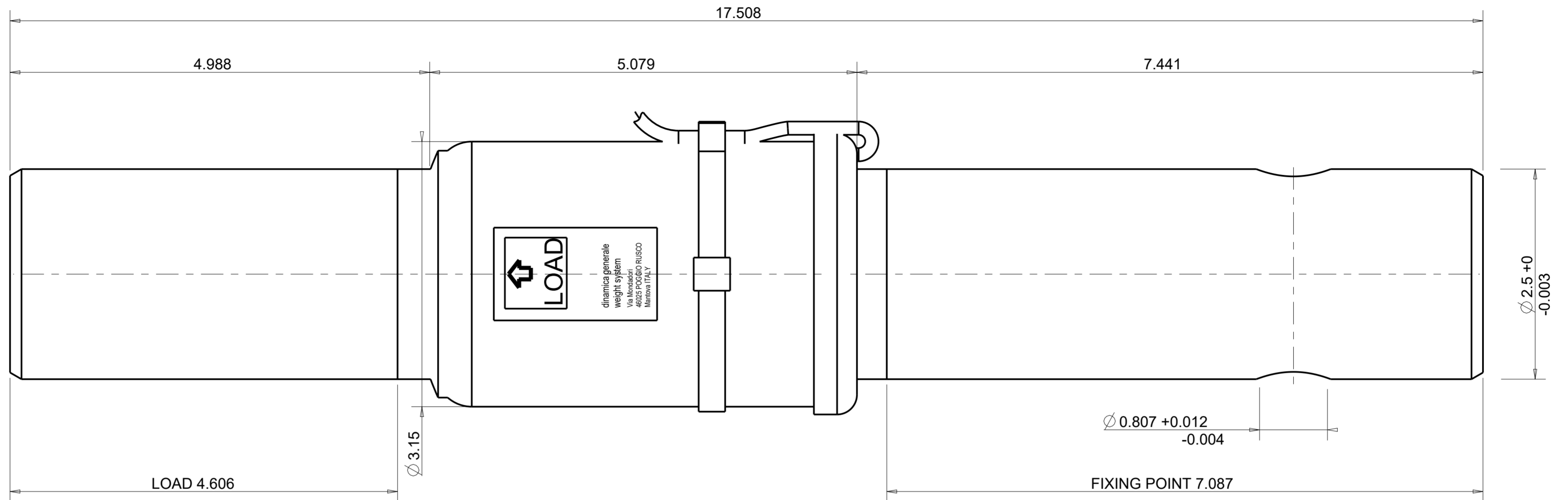
REV.	MOD.N.	DATE	SIGNATURE	DESCRIPTION	SCALE
E	A4	09/05/17	M.B.	Aggiornata lunghezza cavo 6.5m	A2
D	A3	21/10/16	M.B.	Agg. fdm 246-16	
C	A2	25/03/13	M.B.	Aggiornamento protettivi	
B	A1	05/05/08	M.B.	Inserita scheda universale	
A	A0	28/09/07	M.B.	Rivisto e aggiornato	
SCALE 1/1					
UNSPECIFIED TOLLERANCES				± 0.5	
WEIGHT [kg]				11.23	ROUGHNESS
DESCRIPTION				MOBILE Load Cell DG14575/63-BL1 C=6,5m + SPM	
CODE				969-0076	REV. A4
THE COPY OF THIS DRAWING MUST BE APPROVED BY DINAMICA GENERALE					

DINAMICA GENERALE
Weight Systems
46025 Poggio Rusco (MN)
Via Mondadori, 15
Tel. ++39 0386.52134
Fax ++39 0386.51523

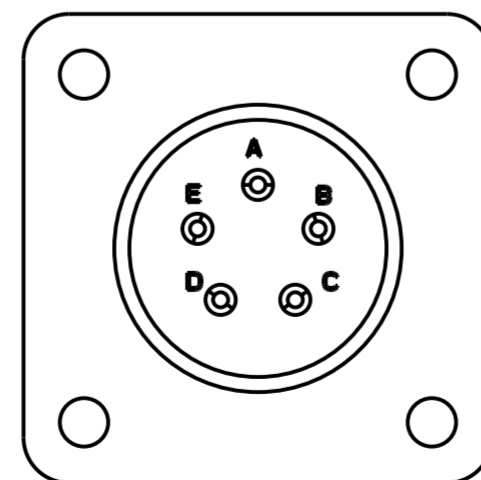
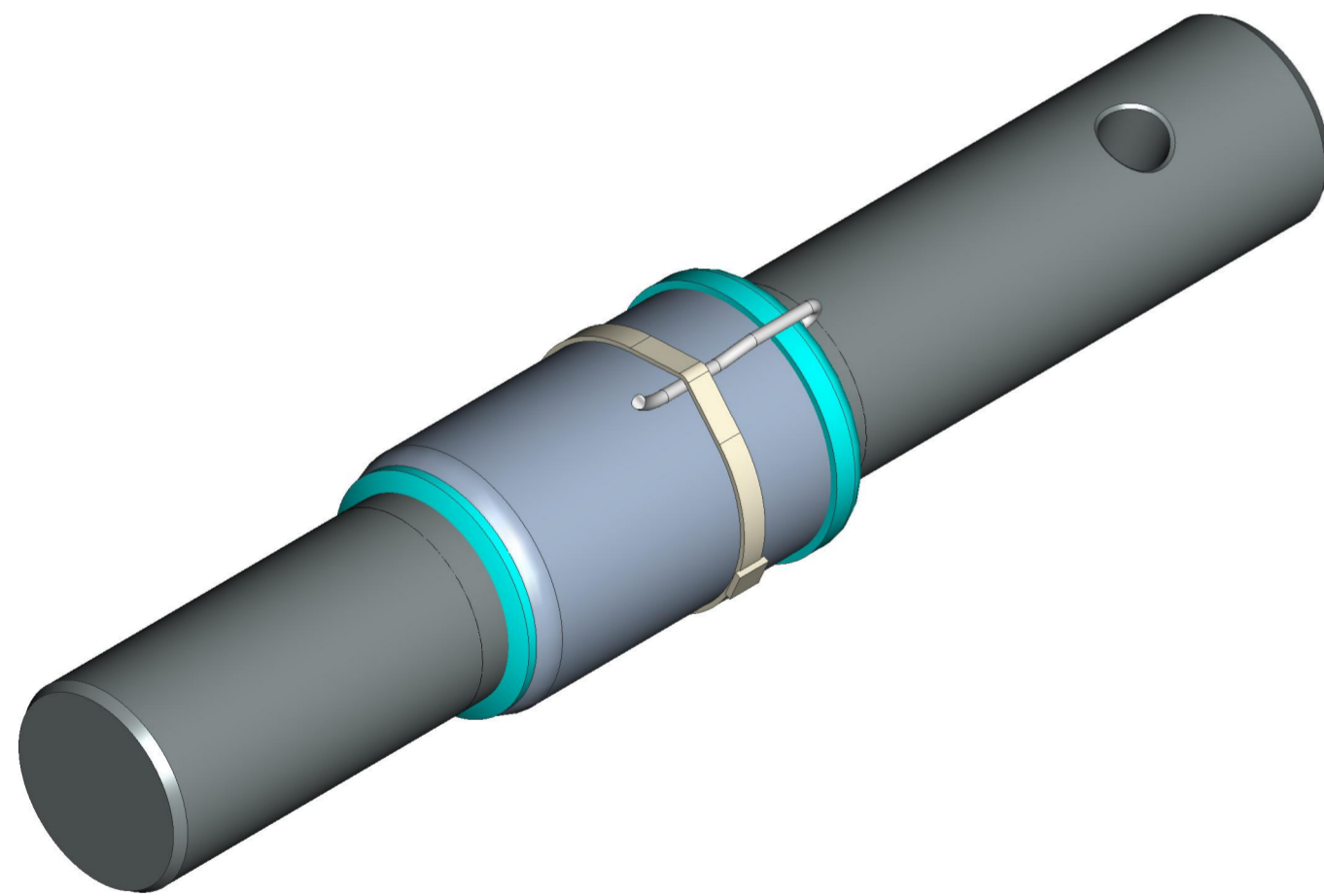
This documents is for reference, dimensions are subject to change.

ALL RIGHTS OF THE PROJECT STRICTLY RESERVED TO DINAMICA GENERALE. REPRODUCTION OR ISSUE TO THIRD PARTIES IN ANY FORM WHATEVER IS, NOT PERMITTED WITHOUT WRITTEN AUTHORIZATION FROM DINAMICA GENERALE

MEASURES EXPRESSED IN INCHES



Bushing Tolerance
 $\varnothing 2.5 +0.008/+0.012$



INPUT +	RED	B
INPUT -	BLACK	D
OUTPUT +	GREEN	C
OUTPUT -	WHITE	A
BRAID	YELLOW	E

SPECIFICATIONS	STATIC	MOBILE
RATED LOAD (LBS)	16535	11023
RATED LOAD (Kg)	7500	5000
RATED OUTPUT (mV/V)	1.03	0.69

PART CODE	CABLE LENGHT		CABLE TERMINATION
	FT	m	
969-0076	21.3	6.5	SPM

REV.	MOD.N.	DATE	SIGNATURE	DESCRIPTION	SCALE									
E	A4	09/05/17	M.B.	Aggiornata lunghezza cavo 6.5m	A2									
D	A3	21/10/16	M.B.	Agg. fdm 246-16										
C	A2	25/03/13	M.B.	Aggiornamento protettivi										
B	A1	05/05/08	M.B.	Inserita scheda universale										
A	A0	28/09/07	M.B.	Rivisto e aggiornato										
UNSPECIFIED TOLLERANCES														
<table border="1"> <thead> <tr> <th>*DRAWN</th> <th>*CHECKED</th> <th>*APPROVED</th> </tr> </thead> <tbody> <tr> <td>17/11/2005</td> <td>17/11/2005</td> <td>17/11/2005</td> </tr> <tr> <td>F.Bottura</td> <td>A.Barbi</td> <td>A.Barbi</td> </tr> </tbody> </table>					*DRAWN	*CHECKED	*APPROVED	17/11/2005	17/11/2005	17/11/2005	F.Bottura	A.Barbi	A.Barbi	± 0.02
*DRAWN	*CHECKED	*APPROVED												
17/11/2005	17/11/2005	17/11/2005												
F.Bottura	A.Barbi	A.Barbi												
WEIGHT [lbs]					ROUGHNESS									
24.757					*REFER TO ORIGINAL DRAWING IF SIGNATURE ARE PRINTED									
DESCRIPTION														
MOBILE Load Cell DG14575/63-BL1 C=6,5m + SPM														
CODE					REV.									
969-0076					A4									
THE COPY OF THIS DRAWING MUST BE APPROVED BY DINAMICA GENERALE														

This documents is for reference, dimensions are subject to change.

ALL RIGHTS OF THE PROJECT STRICTLY RESERVED TO DINAMICA GENERALE. REPRODUCTION OR ISSUE TO THIRD PARTIES IN ANY FORM WHATEVER IS, NOT PERMITTED WITHOUT WRITTEN AUTHORIZATION FROM DINAMICA GENERALE

DINAMICA GENERALE
 Weight Systems
 46025 Poggio Rusco (MN)
 Via Mondadori, 15
 Tel. ++39 0386.52134
 Fax ++39 0386.51523