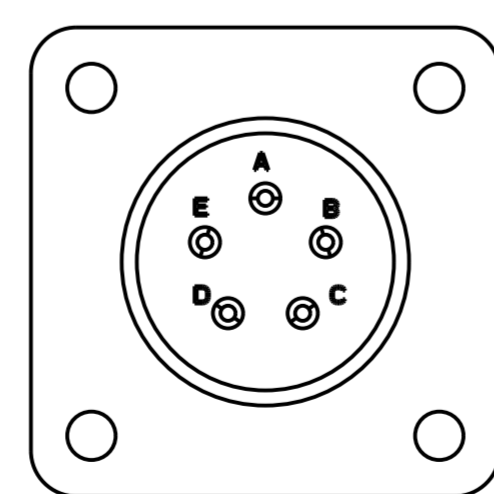
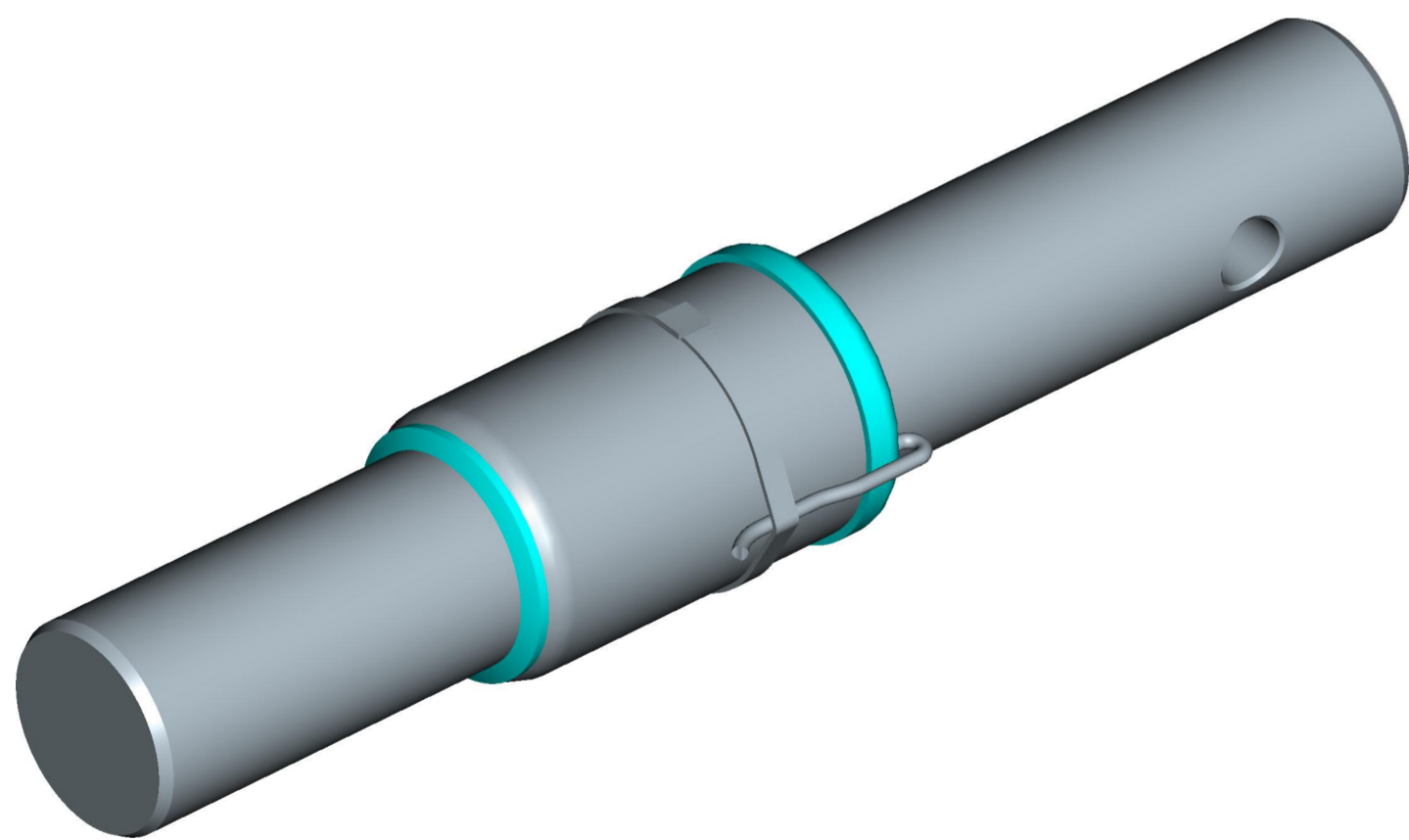


Bushing Tolerance  
 $\varnothing 63.5 +0.2/+0.3$



INPUT +	RED	B
INPUT -	BLACK	D
OUTPUT +	GREEN	C
OUTPUT -	WHITE	A
BRAID	YELLOW	E

SPECIFICATIONS	STATIC	MOBILE
RATED LOAD (LBS)	16535	11023
RATED LOAD (Kg)	7500	5000
RATED OUTPUT (mV/V)	1.03	0.69

PART CODE	CABLE LENGHT		CABLE TERMINATION
	FT	m	
969-0077	35.1	10.7	SPM

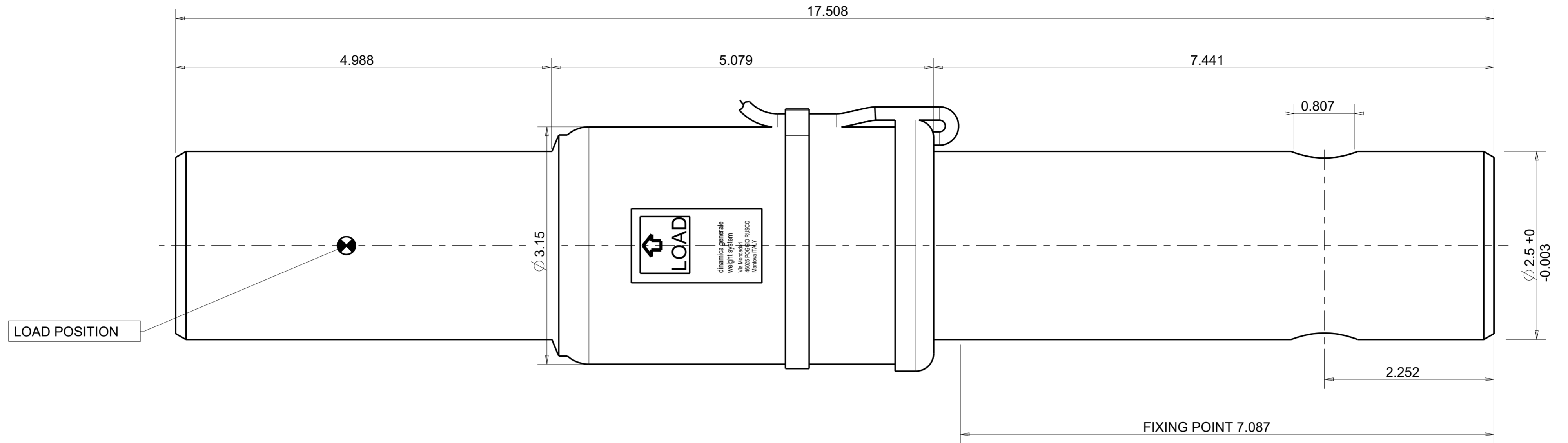
SEE DOCUMENT DGCG01 FOR ADDITIONAL CABLE INFORMATIONS  
 SEE DOCUMENT DGMG01 FOR ADDITIONAL MOUNTING GUIDELINES

REV.	MOD.N.	DATE	SIGNATURE	DESCRIPTION	SCALE																
D	A3	11/10/16	M.B.	Agg. fdm 234_16	1/1																
C	A2	25/03/13	M.B.	Aggiornamento protettivi																	
B	A1	05/05/08	M.B.	Inserita scheda universale																	
A	A0	28/02/07	M.B.	Emissione disegno																	
<table border="1"> <thead> <tr> <th>*DRAWN</th> <th>*CHECKED</th> <th>*APPROVED</th> <th>UNSPECIFIED TOLLERANCES</th> </tr> </thead> <tbody> <tr> <td>28/02/2007</td> <td>28/02/2007</td> <td>28/02/2007</td> <td><math>\pm 0.5</math></td> </tr> <tr> <td>M.BRESCIANI</td> <td>A. BARBI</td> <td>A. BARBI</td> <td>ROUGHNESS</td> </tr> <tr> <td colspan="3">WEIGHT [kg] 11.23</td> <td>*REFER TO ORIGINAL DRAWING IF SIGNATURE ARE PRINTED</td> </tr> </tbody> </table>						*DRAWN	*CHECKED	*APPROVED	UNSPECIFIED TOLLERANCES	28/02/2007	28/02/2007	28/02/2007	$\pm 0.5$	M.BRESCIANI	A. BARBI	A. BARBI	ROUGHNESS	WEIGHT [kg] 11.23			*REFER TO ORIGINAL DRAWING IF SIGNATURE ARE PRINTED
*DRAWN	*CHECKED	*APPROVED	UNSPECIFIED TOLLERANCES																		
28/02/2007	28/02/2007	28/02/2007	$\pm 0.5$																		
M.BRESCIANI	A. BARBI	A. BARBI	ROUGHNESS																		
WEIGHT [kg] 11.23			*REFER TO ORIGINAL DRAWING IF SIGNATURE ARE PRINTED																		
DESCRIPTION: MOBILE Load Cell DG14575/63-BL2 C=10,7m + SPM CODE: 969-0077 REV. A3 THE COPY OF THIS DRAWING MUST BE APPROVED BY DINAMICA GENERALE																					

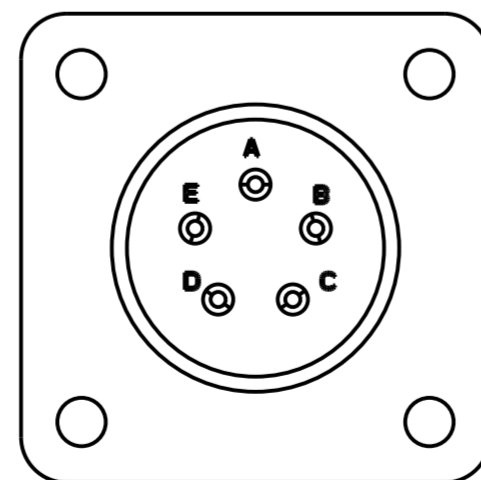
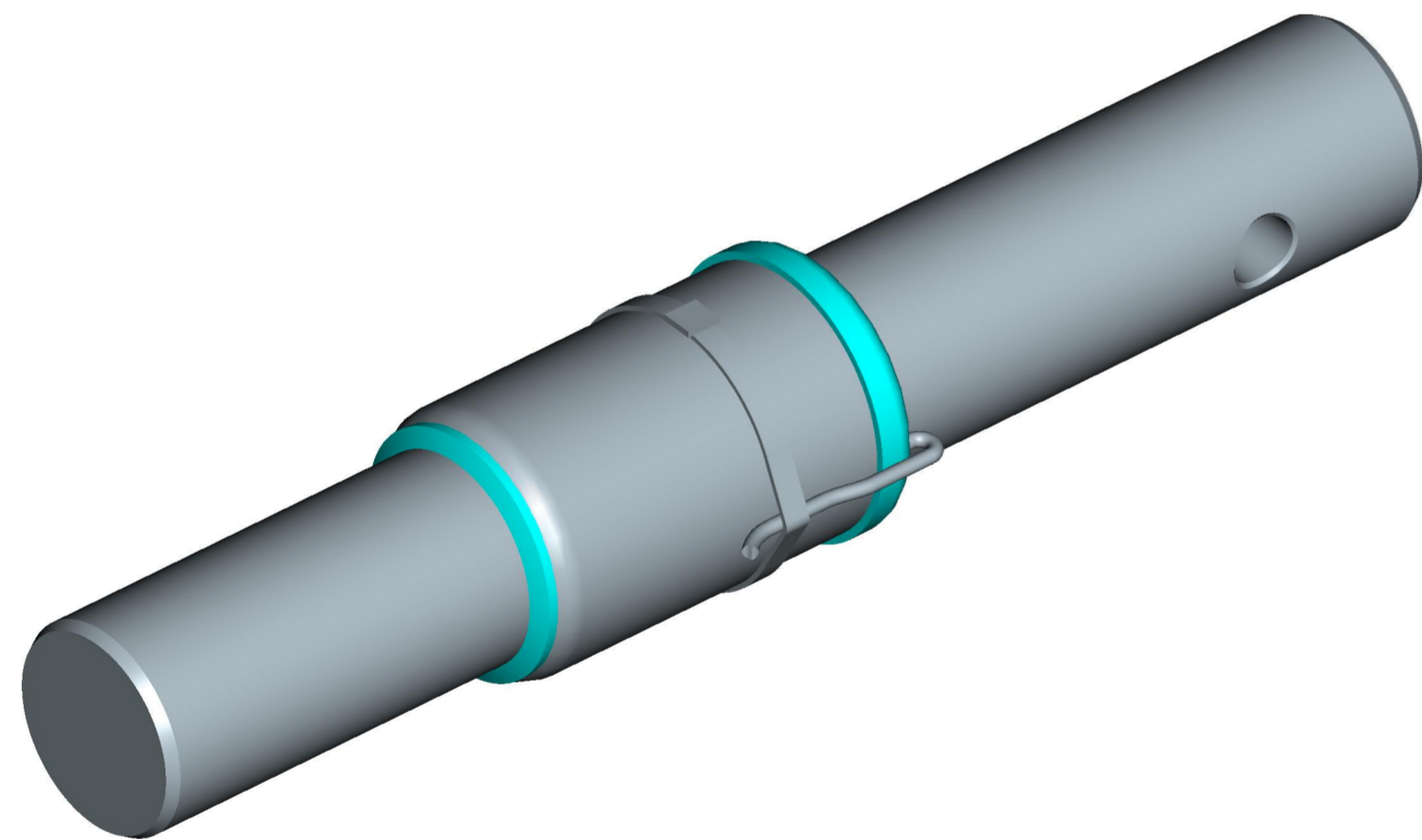
This documents is for reference, dimensions are subject to change.  
 ALL RIGHTS OF THE PROJECT STRICTLY RESERVED TO DINAMICA GENERALE. REPRODUCTION OR ISSUE TO THIRD PARTIES IN ANY FORM WHATEVER IS, NOT PERMITTED WITHOUT WRITTEN AUTHORIZATION FROM DINAMICA GENERALE

**DINAMICA GENERALE**  
 Weight Systems  
 46025 Poggio Rusco (MN)  
 Via Mondadori, 15  
 Tel. ++39 0386.52134  
 Fax ++39 0386.51523

MEASURES EXPRESSED IN INCHES



Bushing Tolerance  
 $\varnothing 2.5 +0.008/+0.012$



INPUT +	RED	B
INPUT -	BLACK	D
OUTPUT +	GREEN	C
OUTPUT -	WHITE	A
BRAID	YELLOW	E

SPECIFICATIONS	STATIC	MOBILE
RATED LOAD (LBS)	16535	11023
RATED LOAD (Kg)	7500	5000
RATED OUTPUT (mV/V)	1.03	0.69

PART CODE	CABLE LENGHT		CABLE TERMINATION
	FT	m	
969-0077	35.1	10.7	SPM

SEE DOCUMENT DGCG01 FOR ADDITIONAL CABLE INFORMATION  
 SEE DOCUMENT DGMG01 FOR ADDITIONAL MOUNTING GUIDELINES

REV.	MOD.N.	DATE	SIGNATURE	DESCRIPTION	SCALE									
D	A3	11/10/16	M.B.	Agg. fdm 234-16	1/1									
C	A2	25/03/13	M.B.	Aggiornamento protettivi										
B	A1	05/05/08	M.B.	Inserita scheda universale										
A	A0	28/02/07	M.B.	Emissione disegno										
<table border="1"> <thead> <tr> <th>*DRAWN</th> <th>*CHECKED</th> <th>*APPROVED</th> </tr> </thead> <tbody> <tr> <td>28/02/2007</td> <td>28/02/2007</td> <td>28/02/2007</td> </tr> <tr> <td>M.BRESCIANI</td> <td>A. BARBI</td> <td>A. BARBI</td> </tr> </tbody> </table>					*DRAWN	*CHECKED	*APPROVED	28/02/2007	28/02/2007	28/02/2007	M.BRESCIANI	A. BARBI	A. BARBI	UNSPECIFIED TOLLERANCES
*DRAWN	*CHECKED	*APPROVED												
28/02/2007	28/02/2007	28/02/2007												
M.BRESCIANI	A. BARBI	A. BARBI												
WEIGHT [lbs] 24.758 *REFER TO ORIGINAL DRAWING IF SIGNATURE ARE PRINTED					ROUGHNESS ± 0.02									
DESCRIPTION MOBILE Load Cell DG14575/63-BL2 C=10,7m + SPM														
CODE 969-0077			REV. A3	THE COPY OF THIS DRAWING MUST BE APPROVED BY DINAMICA GENERALE										

This documents is for reference, dimensions are subject to change.

ALL RIGHTS OF THE PROJECT STRICTLY RESERVED TO DINAMICA GENERALE. REPRODUCTION OR ISSUE TO THIRD PARTIES IN ANY FORM WHATEVER IS, NOT PERMITTED WITHOUT WRITTEN AUTHORIZATION FROM DINAMICA GENERALE

**DINAMICA GENERALE**  
 Weight Systems  
 46025 Poggio Rusco (MN)  
 Via Mondadori, 15  
 Tel. ++39 0386.52134  
 Fax ++39 0386.51523