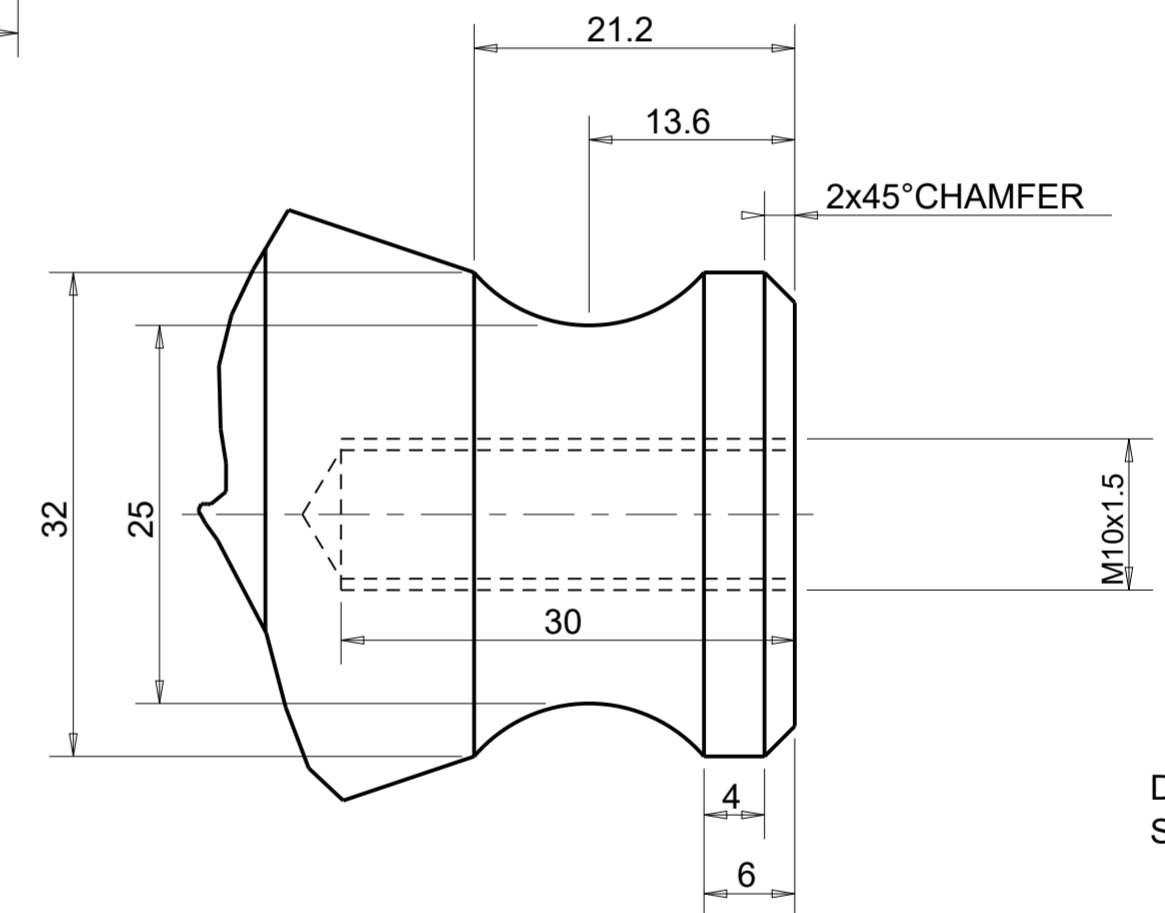
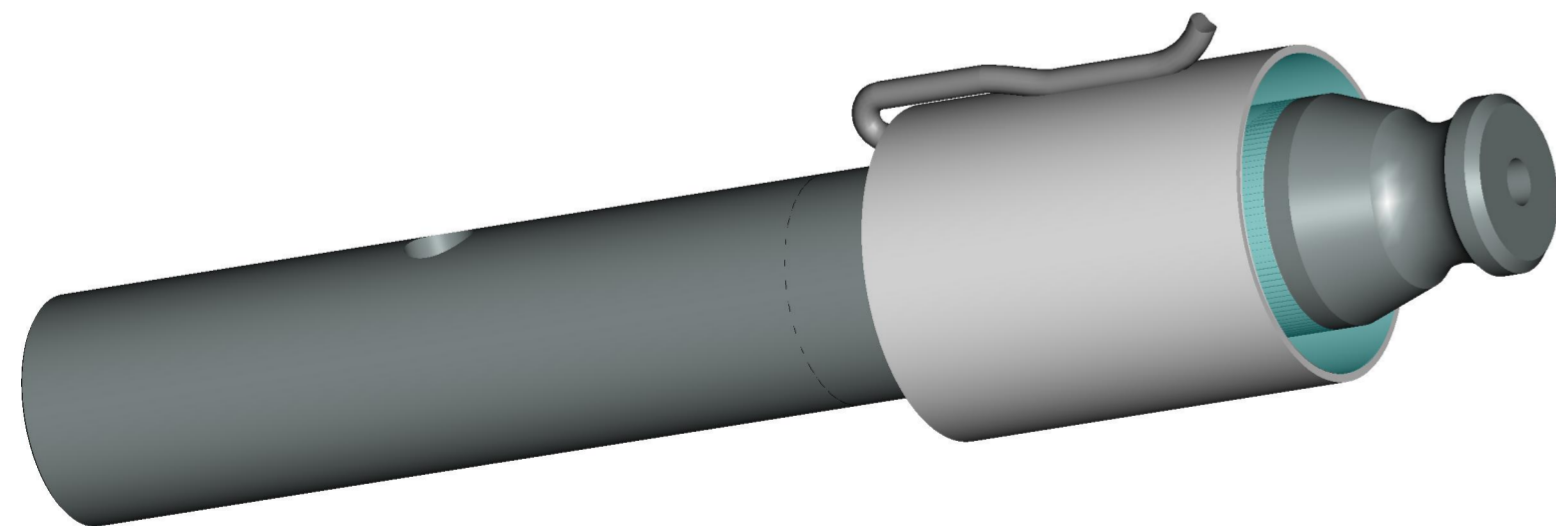


Bushing Tolerance
 $\phi 41.3 +0.2/+0.3$



DETAILED VIEW A
 SCALE 2/1



This documents is for reference,
 dimensions are subject to change.

ALL RIGHTS OF THE PROJECT STRICTLY
 RESERVED TO DINAMICA GENERALE.
 REPRODUCTION OR ISSUE TO THIRD
 PARTIES IN ANY FORM WHATEVER IS,
 NOT PERMITTED WITHOUT WRITTEN
 AUTHORIZATION FROM DINAMICA GENERALE

INPUT +	GREEN
INPUT -	BLACK
OUTPUT +	WHITE
OUTPUT -	RED

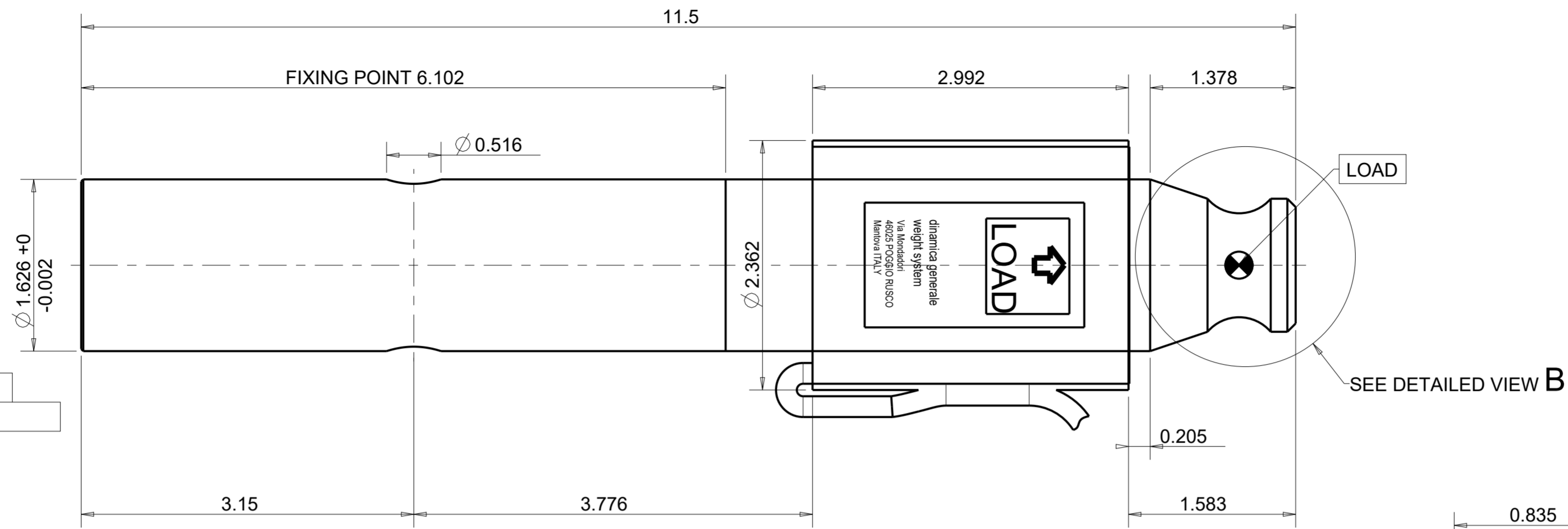
SPECIFICATIONS	
RATED LOAD (LBS)	2500
RATED LOAD (Kg)	1134
RATED OUTPUT (mV/V)	2.02±2%

INPUT IMPEDENCE (Ω)	380±5%
OUTPUT IMPEDENCE (Ω)	350±1%
MAXIMUM EXCITATION (V)	15
INSULATION ($M\Omega$)	>=5000
OPERATING TEMPERATURE RANGE (°C)	-30/+70
GRADE OF PROTECTION	IP 67

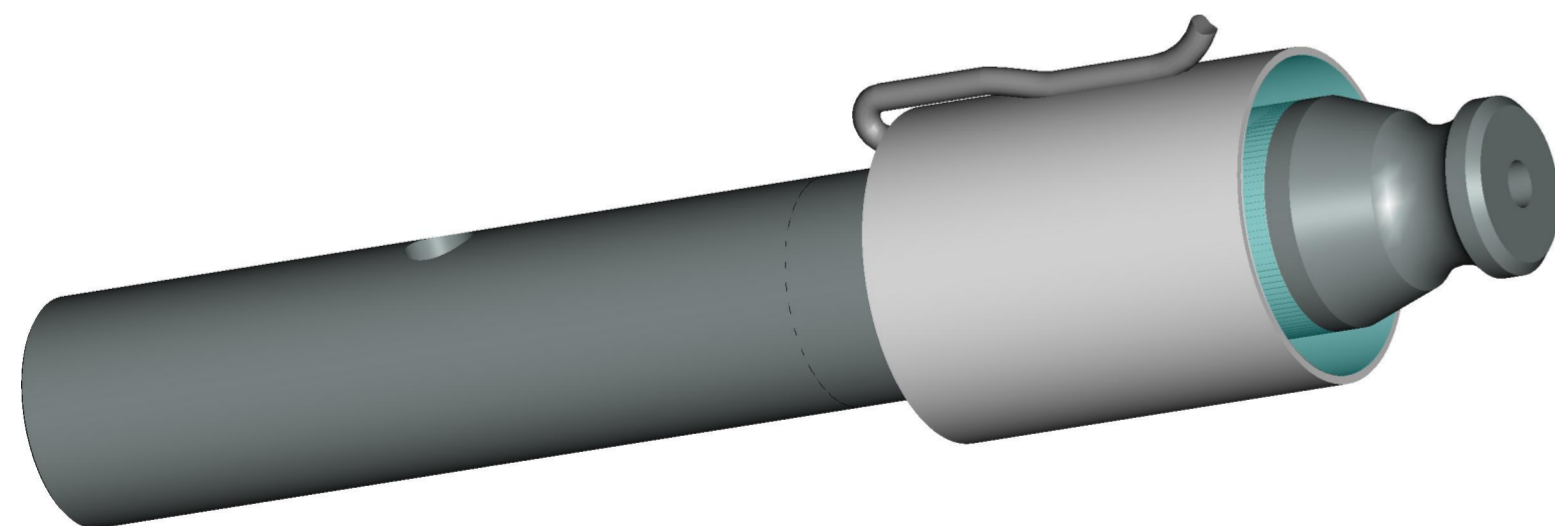
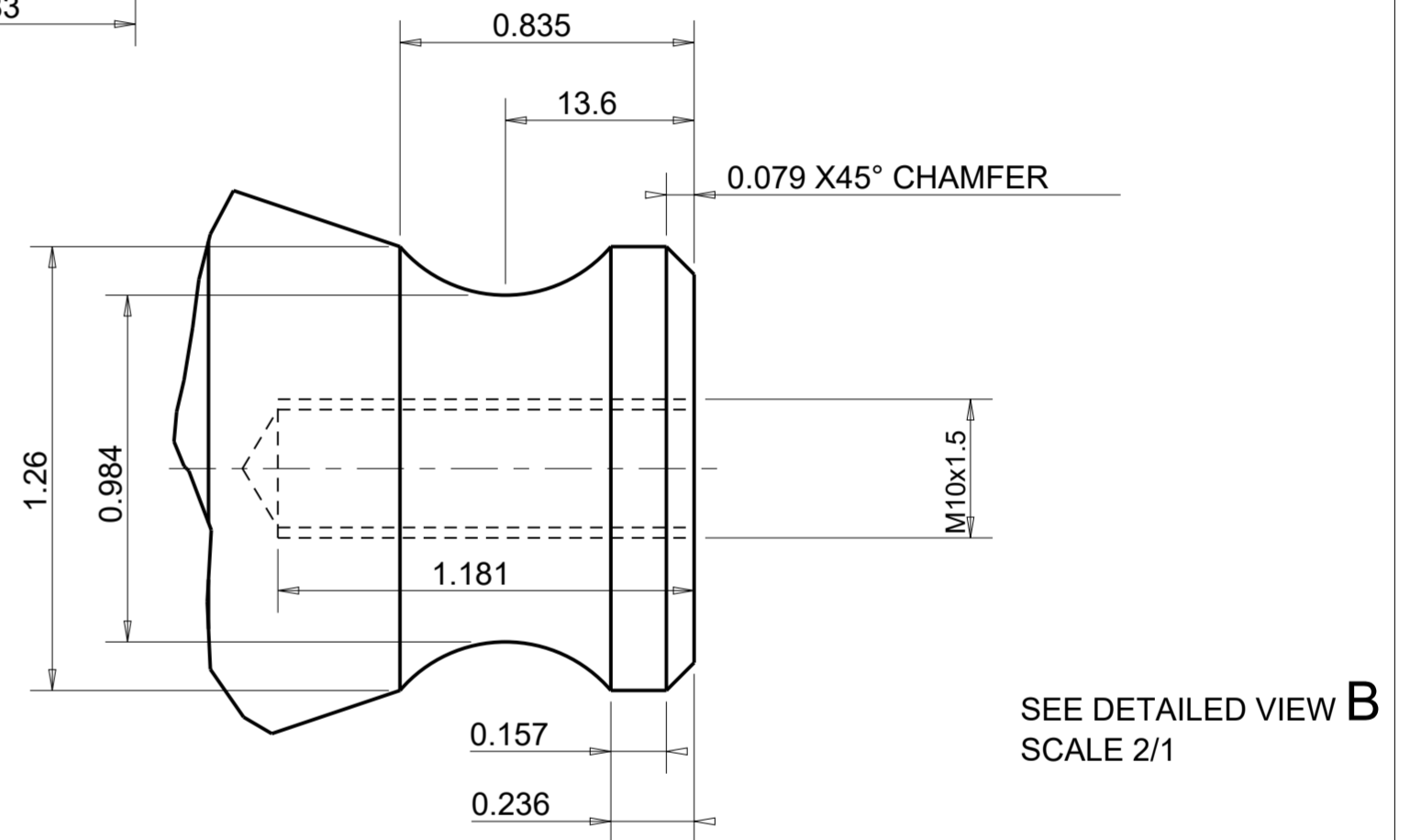
PART CODE	CABLE LENGHT		CABLE TERMINATION
	FT	m	
969-0109	29.5	9	wires

REV.	MOD.N.	DATE	SIGNATURE	DESCRIPTION	SCALE																
G	A6	26/05/17	M.B.	Inserita etichetta std DG + nucleo HG	A2																
F	A5	11/02/13	M.B.	Inserito cavo 009-0067																	
E	A4	10/07/08	M.B.	Aggiornamento compensatore zero shift																	
D	A3	05/05/08	M.B.	Inserita scheda universale																	
C	A2	15/02/08	M.B.	Re-introduzione Cavo 009-0079																	
B	A1	03/12/07	M.B.	Sostituzione Cavo																	
A	A0	15/12/06	M.B.	Emissione disegno	1/1																
<table border="1"> <thead> <tr> <th>*DRAWN</th> <th>*CHECKED</th> <th>*APPROVED</th> <th>UNSPECIFIED TOLLERANCES</th> </tr> </thead> <tbody> <tr> <td>15/12/2006</td> <td>15/12/2006</td> <td>15/12/2006</td> <td>± 0.1</td> </tr> <tr> <td>SIGNATURE</td> <td>M.BRESCIANI</td> <td>A. BARBI</td> <td>A. BARBI</td> </tr> <tr> <td>WEIGHT [kg]</td> <td colspan="2">2.566</td> <td>*REFER TO ORIGINAL DRAWING IF SIGNATURE ARE PRINTED</td> </tr> </tbody> </table>					*DRAWN	*CHECKED	*APPROVED	UNSPECIFIED TOLLERANCES	15/12/2006	15/12/2006	15/12/2006	± 0.1	SIGNATURE	M.BRESCIANI	A. BARBI	A. BARBI	WEIGHT [kg]	2.566		*REFER TO ORIGINAL DRAWING IF SIGNATURE ARE PRINTED	ROUGHNESS
*DRAWN	*CHECKED	*APPROVED	UNSPECIFIED TOLLERANCES																		
15/12/2006	15/12/2006	15/12/2006	± 0.1																		
SIGNATURE	M.BRESCIANI	A. BARBI	A. BARBI																		
WEIGHT [kg]	2.566		*REFER TO ORIGINAL DRAWING IF SIGNATURE ARE PRINTED																		
DINAMICA GENERALE Weight Systems 46025 Poggio Rusco (MN) Via Mondadori, 15 Tel. ++39 0386.52134 Fax ++39 0386.51523					DESCRIPTION																
MOBILE Load Cell DG1120/41,3-BR-DG C=9m + Wires					CODE																
969-0109			REV.	A6	THE COPY OF THIS DRAWING MUST BE APPROVED BY DINAMICA GENERALE																

MEASURES EXPRESSED IN INCHES



Bushing Tolerance
 $\varnothing 1.626 +0.008/+0.012$



SPECIFICATIONS	
RATED LOAD (LBS)	2500
RATED LOAD (Kg)	1134
RATED OUTPUT (mV/V)	2.02±2%

INPUT IMPEDENCE (Ω)	380±5%
OUTPUT IMPEDENCE (Ω)	350±1%
MAXIMUM EXCITATION (V)	15
INSULATION ($M\Omega$)	>=5000
OPERATING TEMPERATURE RANGE (°C)	-30/+70
GRADE OF PROTECTION	IP 67

INPUT +	GREEN
INPUT -	BLACK
OUTPUT +	WHITE
OUTPUT -	RED

This documents is for reference, dimensions are subject to change.

ALL RIGHTS OF THE PROJECT STRICTLY RESERVED TO DINAMICA GENERALE. REPRODUCTION OR ISSUE TO THIRD PARTIES IN ANY FORM WHATEVER IS, NOT PERMITTED WITHOUT WRITTEN AUTHORIZATION FROM DINAMICA GENERALE

PART CODE	CABLE LENGHT		CABLE TERMINATION
	FT	m	
969-0109	29.5	9	wires

G	A6	26/05/17	M.B.	Inserita etichetta std DG + nucleo HG	A2
F	A5	11/02/13	M.B.	Inserito cavo 009-0067	
E	A4	10/07/08	M.B.	Aggiornamento compensatore zero shift	
D	A3	05/05/08	M.B.	Inserita scheda universale	
C	A2	15/02/08	M.B.	Re-introduzione Cavo 009-0079	
B	A1	03/12/07	M.B.	Sostituzione Cavo	
A	A0	15/12/06	M.B.	Emissione disegno	SCALE 1/1
REV.	MOD.N.	DATE	SIGNATURE	DESCRIPTION	UNSPECIFIED TOLLERANCES ± 0.004
				*DRAWN 15/12/2006 *CHECKED 15/12/2006 *APPROVED 15/12/2006 SIGNATURE M.BRESCIANI A. BARBI A. BARBI WEIGHT [lbs] 5.658 *REFER TO ORIGINAL DRAWING IF SIGNATURE ARE PRINTED	ROUGHNESS
46025 Poggio Rusco (MN) Via Mondadori, 15 Tel. ++39 0386.52134 Fax ++39 0386.51523				DESCRIPTION MOBILE Load Cell DG1120/41,3-BR-DG C=9m + Wires	
CODE 969-0109			REV. A6	THE COPY OF THIS DRAWING MUST BE APPROVED BY DINAMICA GENERALE	