

This documents is for reference, dimensions are subject to change.

ALL RIGHTS OF THE PROJECT STRICTLY RESERVED TO DINAMICA GENERALE. REPRODUCTION OR ISSUE TO THIRD PARTIES IN ANY FORM WHATEVER IS, NOT PERMITTED WITHOUT WRITTEN AUTHORIZATION FROM DINAMICA GENERALE

| | |
|----------|-------|
| INPUT + | RED |
| INPUT - | BLACK |
| OUTPUT + | GREEN |
| OUTPUT - | WHITE |

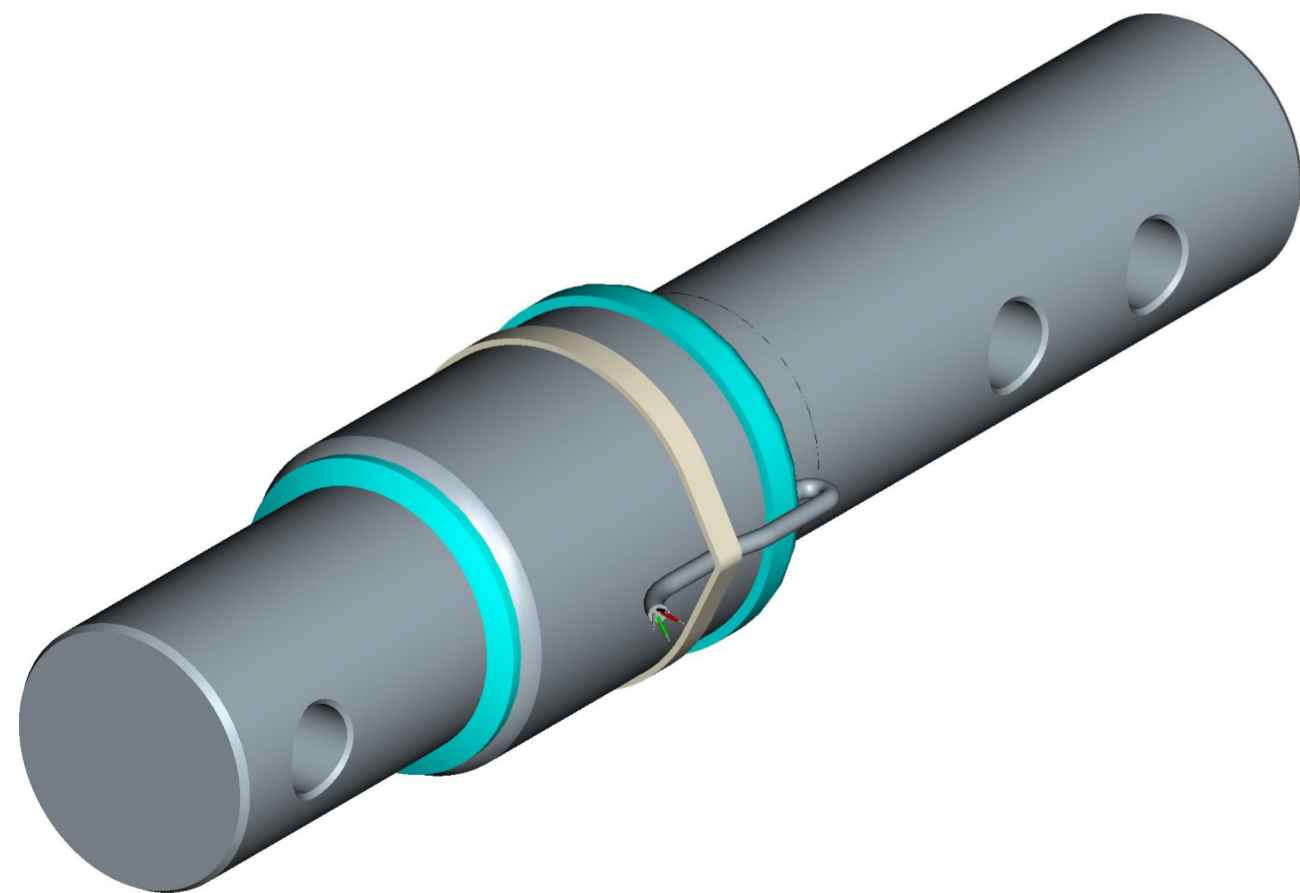
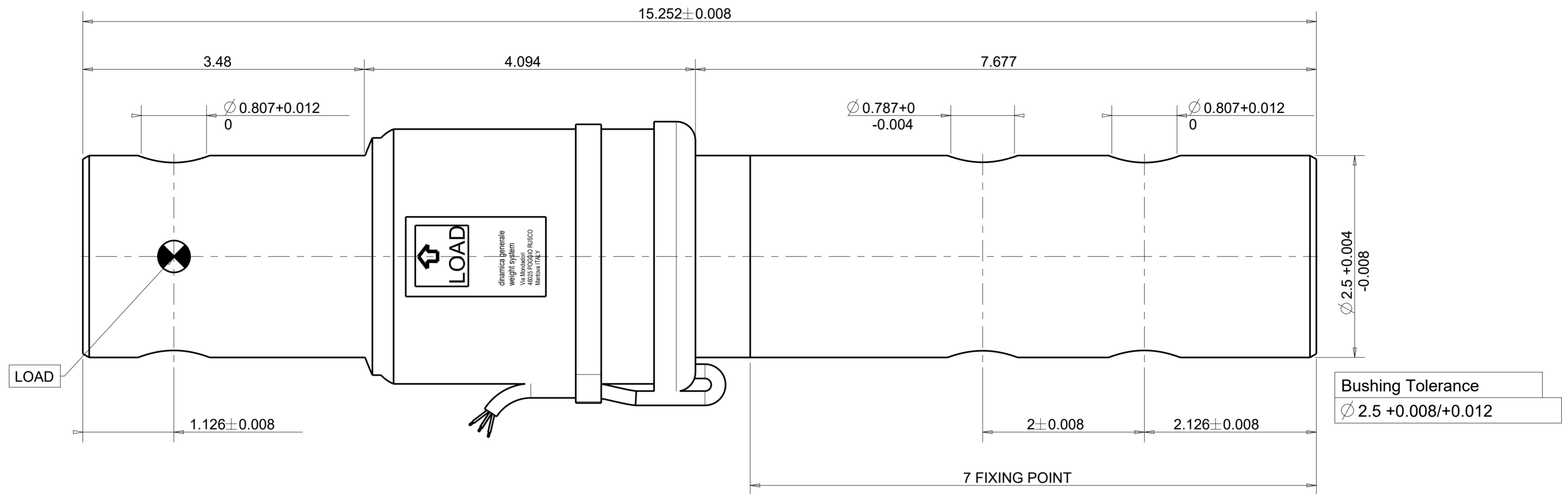
| SPECIFICATIONS | STATIC | MOBILE |
|---------------------|--------|--------|
| RATED LOAD (LBS) | 18850 | 12566 |
| RATED LOAD (Kg) | 8550 | 5700 |
| RATED OUTPUT (mV/V) | 0.942 | 0.628 |

| PART CODE | CABLE LENGHT | | CABLE TERMINATION |
|-----------|--------------|---|-------------------|
| | FT | m | |
| 969-0134 | 16.4 | 5 | Wires |

| REV. | MOD.N. | DATE | SIGNATURE | DESCRIPTION | SCALE |
|---|--------|----------|-----------|----------------------------|--|
| D | A3 | 02/05/17 | M.B. | Agg. codice cavo | A2 |
| C | A2 | 12/04/17 | M.B. | Agg. fdm 96-17 | |
| B | A1 | 23/04/14 | M.B. | Agg. tolleranze fdm 128/14 | 1/1 |
| A | A0 | 31/10/08 | M.B. | Emissione disegno | |
| UNSPECIFIED TOLLERANCES | | | | | |
| ± 0.5 | | | | | |
| ROUGHNESS | | | | | |
| *REFER TO ORIGINAL DRAWING IF SIGNATURE ARE PRINTED | | | | | |
| DESCRIPTION | | | | | |
| MOBILE Load Cell DG18144/63.5-CE C=5m + Wires | | | | | |
| CODE | | | | | |
| 969-0134 | | | A3 | | THE COPY OF THIS DRAWING MUST BE APPROVED BY DINAMICA GENERALE |

DINAMICA GENERALE
Weight Systems
46025 Poggio Rusco (MN)
Via Mondadori, 15
Tel. ++39 0386.52134
Fax ++39 0386.51523

MEASURES EXPRESSED IN INCHES



This documents is for reference, dimensions are subject to change.

ALL RIGHTS OF THE PROJECT STRICTLY RESERVED TO DINAMICA GENERALE. REPRODUCTION OR ISSUE TO THIRD PARTIES IN ANY FORM WHATEVER IS, NOT PERMITTED WITHOUT WRITTEN AUTHORIZATION FROM DINAMICA GENERALE

| | |
|----------|-------|
| INPUT + | RED |
| INPUT - | BLACK |
| OUTPUT + | GREEN |
| OUTPUT - | WHITE |

| SPECIFICATIONS | STATIC | MOBILE |
|---------------------|--------|--------|
| RATED LOAD (LBS) | 18850 | 12566 |
| RATED LOAD (Kg) | 8550 | 5700 |
| RATED OUTPUT (mV/V) | 0.942 | 0.628 |

| PART CODE | CABLE LENGHT | | CABLE TERMINATION |
|-----------|--------------|---|-------------------|
| | FT | m | |
| 969-0134 | 16.4 | 5 | Wires |

| REV. | MOD.N. | DATE | SIGNATURE | DESCRIPTION | SCALE |
|--|--------|----------|-----------|----------------------------|---|
| D | A3 | 02/05/17 | M.B. | Agg. codice cavo | A2 |
| C | A2 | 12/04/17 | M.B. | Agg. fdm 96-17 | |
| B | A1 | 23/04/14 | M.B. | Agg. tolleranze fdm 128/14 | |
| A | A0 | 31/10/08 | M.B. | Emissione disegno | |
| | | | | | 1/1 |
| | | | | | UNSPECIFIED TOLLERANCES |
| | | | | | ± 0.02 |
| | | | | | ROUGHNESS |
| | | | | | *REFER TO ORIGINAL DRAWING IF SIGNATURE ARE PRINTED |
| DESCRIPTION | | | | | |
| MOBILE Load Cell DG18144/63.5-CE C=5m + Wires | | | | | |
| CODE | | | | | |
| 969-0134 | | | | | |
| REV. | | | | | |
| A3 | | | | | |
| THE COPY OF THIS DRAWING MUST BE APPROVED BY DINAMICA GENERALE | | | | | |

DINAMICA GENERALE
Weight Systems
46025 Poggio Rusco (MN)
Via Mondadori, 15
Tel. ++39 0386.52134
Fax ++39 0386.51523