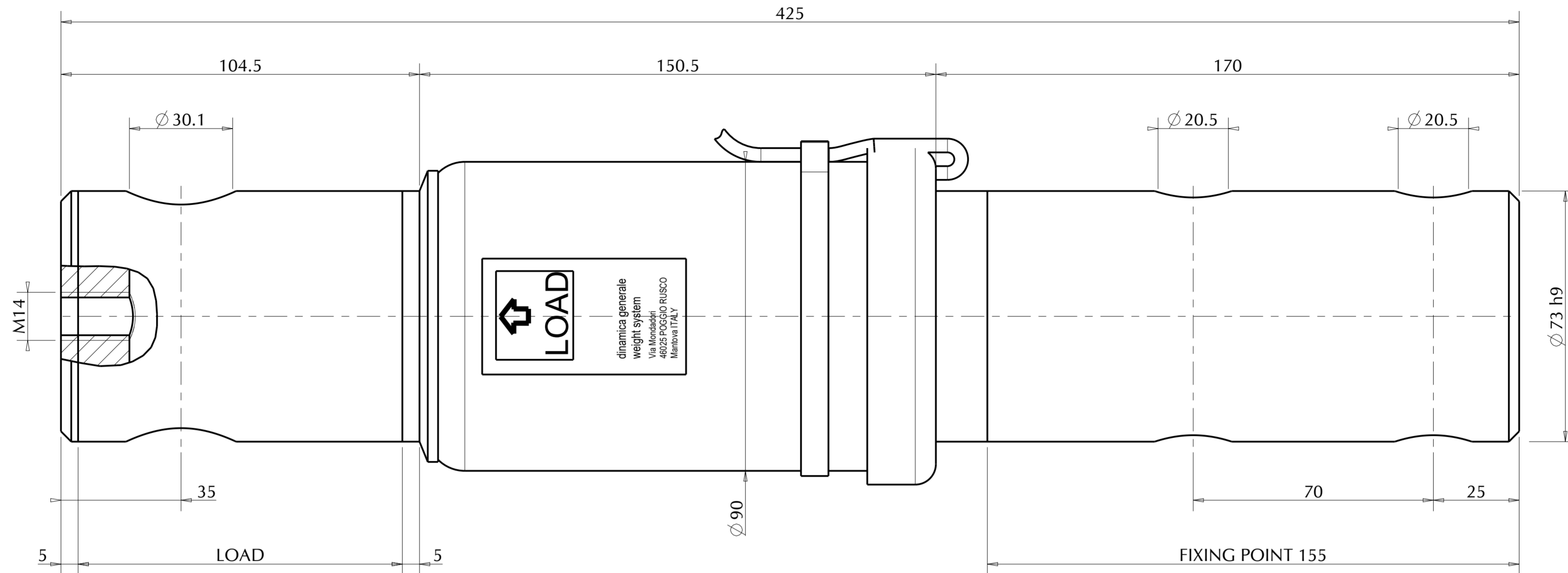
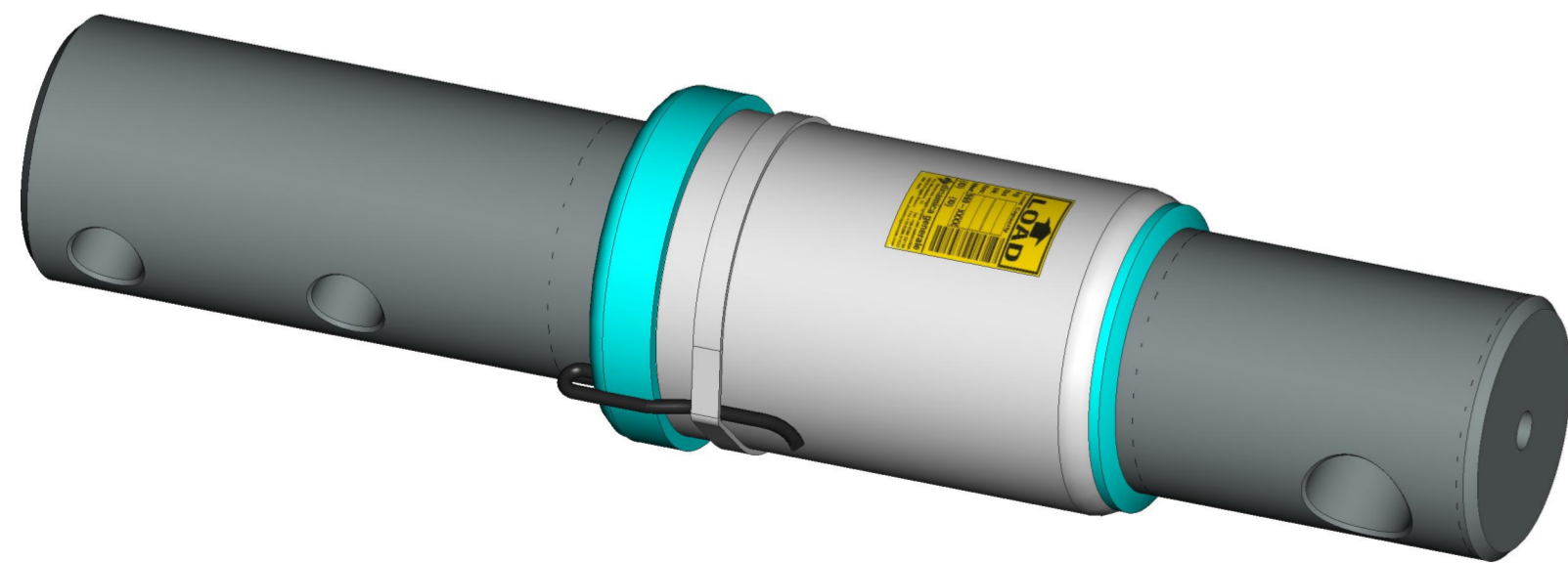


ALL RIGHTS OF THE PROJECT STRICTLY RESERVED TO DINAMICA GENERALE. REPRODUCTION OR ISSUE TO THIRD PARTIES IN ANY FORM WHATEVER IS, NOT PERMITTED WITHOUT WRITTEN AUTHORIZATION FROM DINAMICA GENERALE
This documents is for reference, dimensions are subject to change.



Bushing Tolerance
 $\varnothing 73 +0.2/+0.3$



INPUT +	RED
INPUT -	BLACK
OUTPUT +	GREEN
OUTPUT -	WHITE

RATED LOAD [KG]	7500
ZERO BALANCE [%FS]	-3% / 0
COMBINED ERROR [%FS]	± 0.03
REPEATABILITY [%FS]	± 0.03
CREEP (30min.) / RETURN ZERO [%FS]	± 0.03
TEMP. EFFECT ON ZERO [%FS/°C]	0.025
TEMP. EFFECT ON OUTPUT [%FS/°C]	0.020
TEMP. RANGE COMPENSATED [°C]	-10/+ 40
TEMP. RANGE OPERATING [°C]	-45/+ 70
INPUT IMPEDENCE (Ω)	398 ± 5
OUTPUT IMPEDENCE (Ω)	351 ± 2
EXCITATION (V)	5-12
INSULATION ($M\Omega$)	$> = 5000$
GRADE OF PROTECTION	IP 68

SPECIFICATIONS	STATIC	MOBILE
RATED LOAD (LBS)	24803	16535
RATED LOAD (Kg)	11250	7500
RATED OUTPUT (mV/V)	$1.02 \pm 1\%$	$0.68 \pm 1\%$

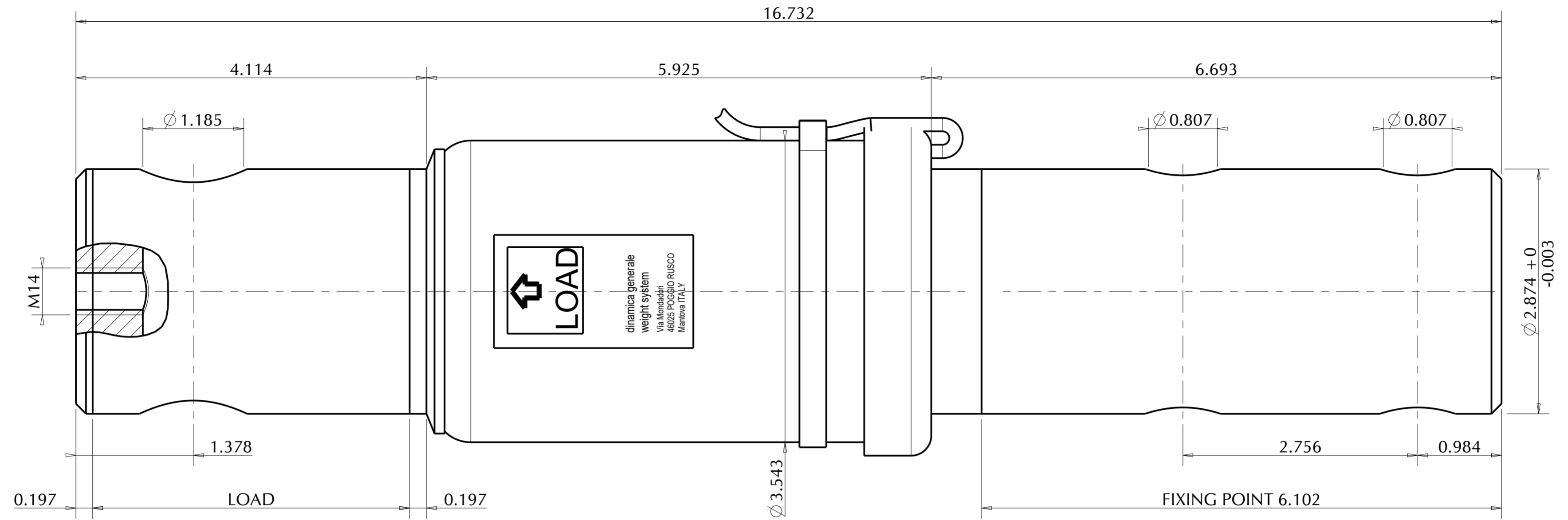
PART CODE	CABLE LENGHT		CABLE TERMINATION
	FT	m	
969-0141	21.3	6.5	ECP

REV.	MOD.N.	DATE	SIGNATURE	DESCRIPTION	SCALE			
D	A3	22/05/17	M.B.	Agg. cavo fdm 135-17	A2			
C	A2	22/09/16	M.B.	Agg. fdm 215 16				
B	A1	30/05/13	M.B.	Aggiornamento comp. HW				
A	A0	24/11/08	M.B.	Emissione disegno	1/1			
				*DRAWN	*CHECKED	*APPROVED	UNSPECIFIED TOLLERANCES	
				DATE	24/11/2008	24/11/2008	24/11/2008	± 0.5
				SIGNATURE	M.BRESCIANI	A. BARBI	A. BARBI	ROUGHNESS
				WEIGHT [kg]	13.426		*REFER TO ORIGINAL DRAWING IF SIGNATURE ARE PRINTED	
				DESCRIPTION	MOBILE Load Cell DG22000/73-AV C=6.5m + ECP			
				CODE	969-0141	REV.	A3	THE COPY OF THIS DRAWING MUST BE APPROVED BY DINAMICA GENERALE

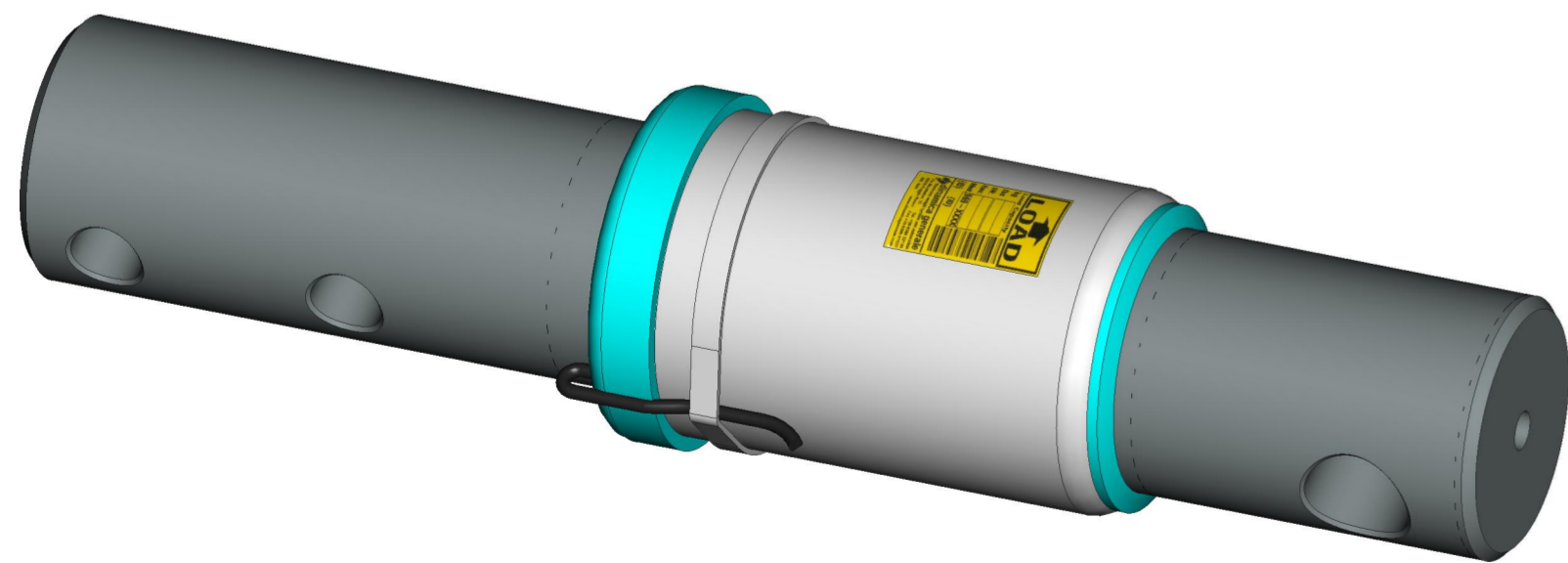
DINAMICA GENERALE
Weight Systems
46025 Poggio Rusco (MN)
Via Mondadori, 15
Tel. + + 39 0386.52134
Fax + + 39 0386.51523

MEASURES EXPRESSED IN INCHES

ALL RIGHTS OF THE PROJECT STRICTLY RESERVED TO DINAMICA GENERALE. REPRODUCTION OR ISSUE TO THIRD PARTIES IN ANY FORM WHATEVER IS, NOT PERMITTED WITHOUT WRITTEN AUTHORIZATION FROM DINAMICA GENERALE
This documents is for reference, dimensions are subject to change.



Bushing Tolerance
 $\varnothing 2.874 +0.008/+0.012$



INPUT +	RED
INPUT -	BLACK
OUTPUT +	GREEN
OUTPUT -	WHITE

RATED LOAD [KG]	7500
ZERO BALANCE [%FS]	-3% / 0
COMBINED ERROR [%FS]	±0.03
REPEATABILITY [%FS]	±0.03
CREEP (30min.) / RETURN ZERO [%FS]	±0.03
TEMP. EFFECT ON ZERO [%FS/°C]	0.025
TEMP. EFFECT ON OUTPUT [%FS/°C]	0.020
TEMP. RANGE COMPENSATED [°C]	-10/+ 40
TEMP. RANGE OPERATING [°C]	-45/+ 70
INPUT IMPEDENCE (Ω)	398± 5
OUTPUT IMPEDENCE (Ω)	351± 2
EXCITATION (V)	5-12
INSULATION (MΩ)	> = 5000
GRADE OF PROTECTION	IP 68

SPECIFICATIONS	STATIC	MOBILE
RATED LOAD (LBS)	24803	16535
RATED LOAD (Kg)	11250	7500
RATED OUTPUT (mV/V)	1.02± 1%	0.68± 1%

PART CODE	CABLE LENGHT		CABLE TERMINATION
	FT	m	
969-0141	21.3	6.5	ECP

REV.	MOD.N.	DATE	SIGNATURE	DESCRIPTION	SCALE	UNSPECIFIED TOLLERANCES
D	A3	22/05/17	M.B.	Agg. cavo fdm 135-17	A2	±0.02
C	A2	22/09/16	M.B.	Agg. fdm 215 16		
B	A1	30/05/13	M.B.	Aggiornamento comp. HW	1/1	ROUGHNESS
A	A0	24/11/08	M.B.	Emissione disegno		
			*DRAWN	*CHECKED	*APPROVED	
		DATE	24/11/2008	24/11/2008	24/11/2008	
		SIGNATURE	M.BRESCIANI	A. BARBI	A. BARBI	
		WEIGHT [lbs]	29.598		*REFER TO ORIGINAL DRAWING IF SIGNATURE ARE PRINTED	
		DESCRIPTION	MOBILE Load Cell DG22000/73-AV C=6.5m + ECP			
		CODE	969-0141	REV.	A3	THE COPY OF THIS DRAWING MUST BE APPROVED BY DINAMICA GENERALE

DINAMICA GENERALE
Weight Systems
46025 Poggio Rusco (MN)
Via Mondadori,15
Tel. + +39 0386.52134
Fax + +39 0386.51523