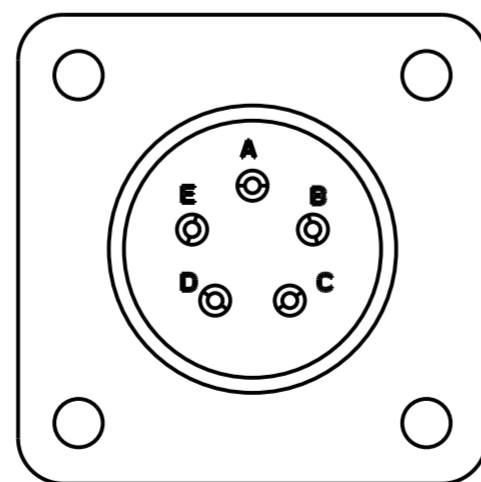
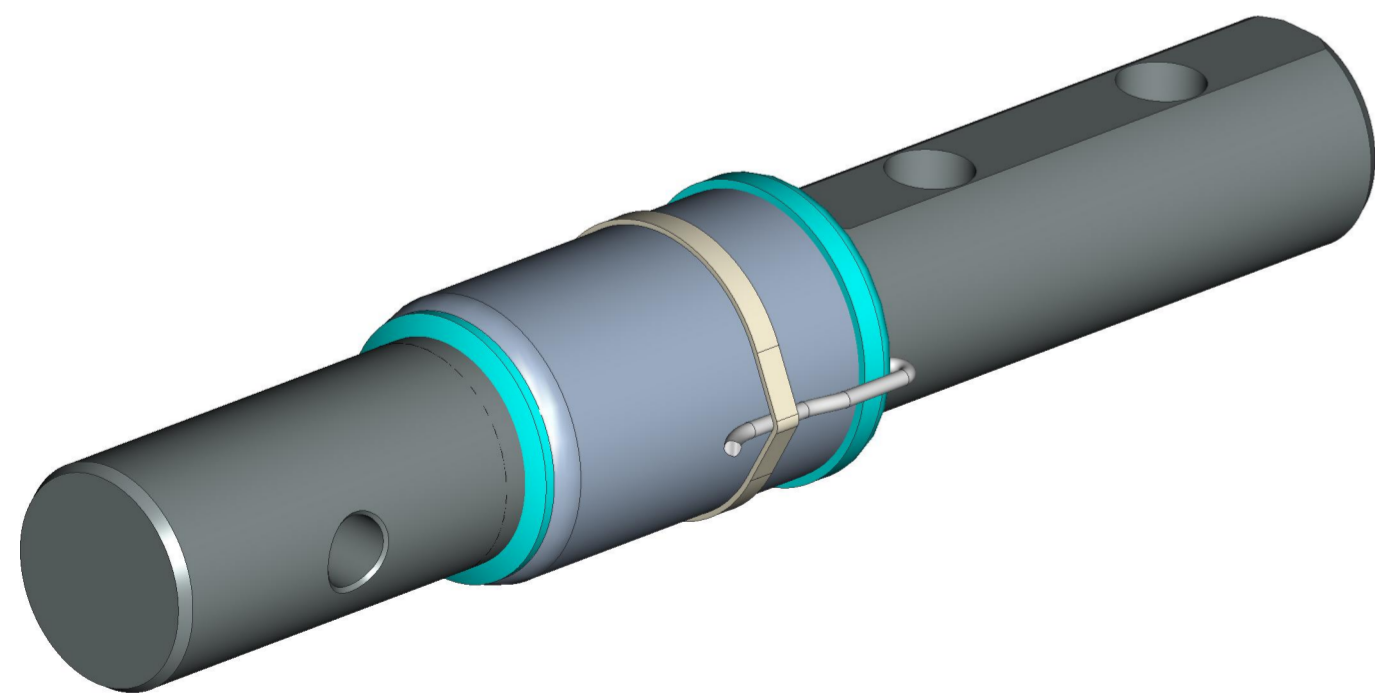
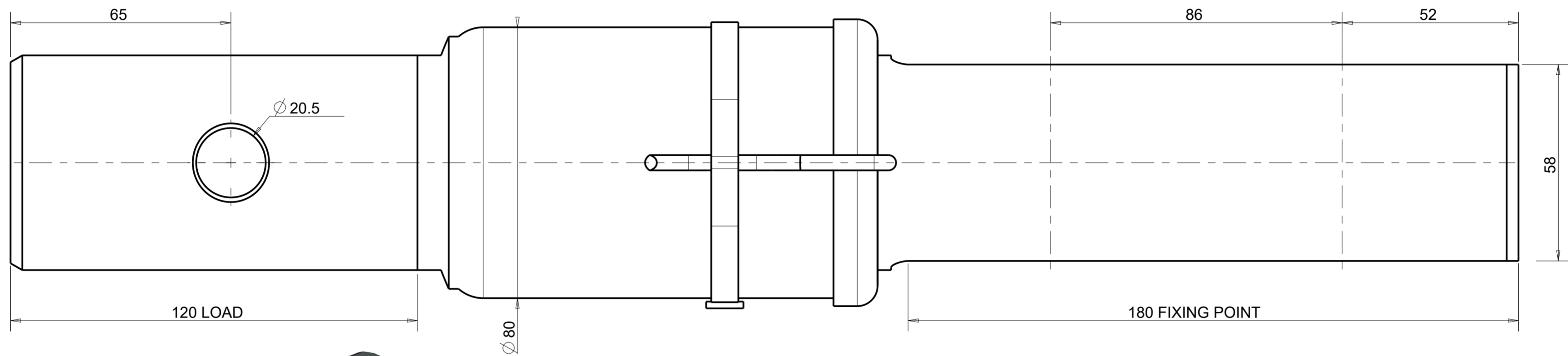


Bushing Tolerance  
 $\phi 63.5 +0.2/+0.3$



INPUT +	RED	B
INPUT -	BLACK	D
OUTPUT +	GREEN	C
OUTPUT -	WHITE	A
BRAID	YELLOW	E

SPECIFICATIONS	STATIC	MOBILE
RATED LOAD (LBS)	16535	11023
RATED LOAD (Kg)	7500	5000
RATED OUTPUT (mV/V)	1.03	0.69

PART CODE	CABLE LENGHT		CABLE TERMINATION
	FT	m	
969-0155	35.1	10.7	SPM

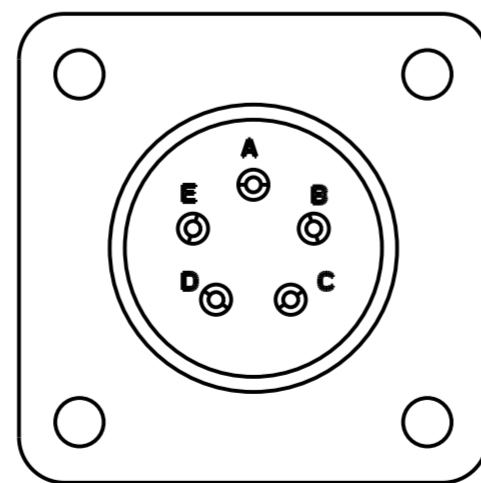
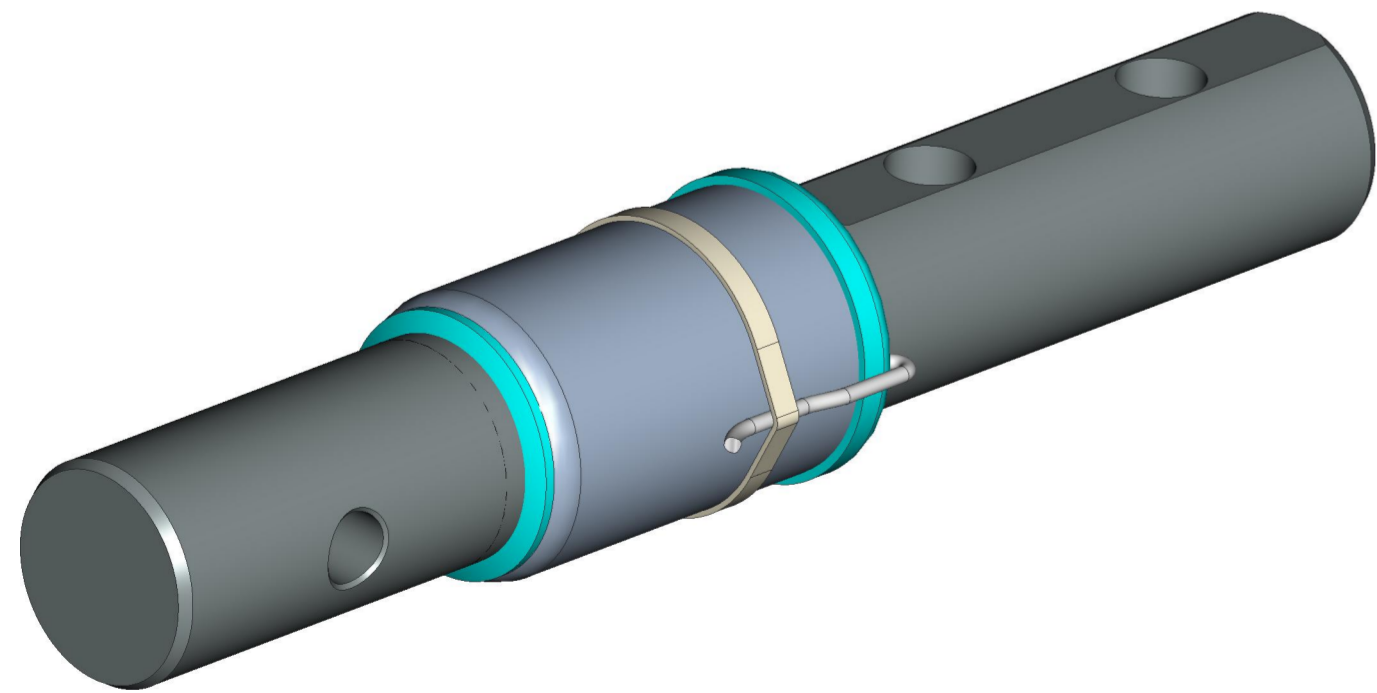
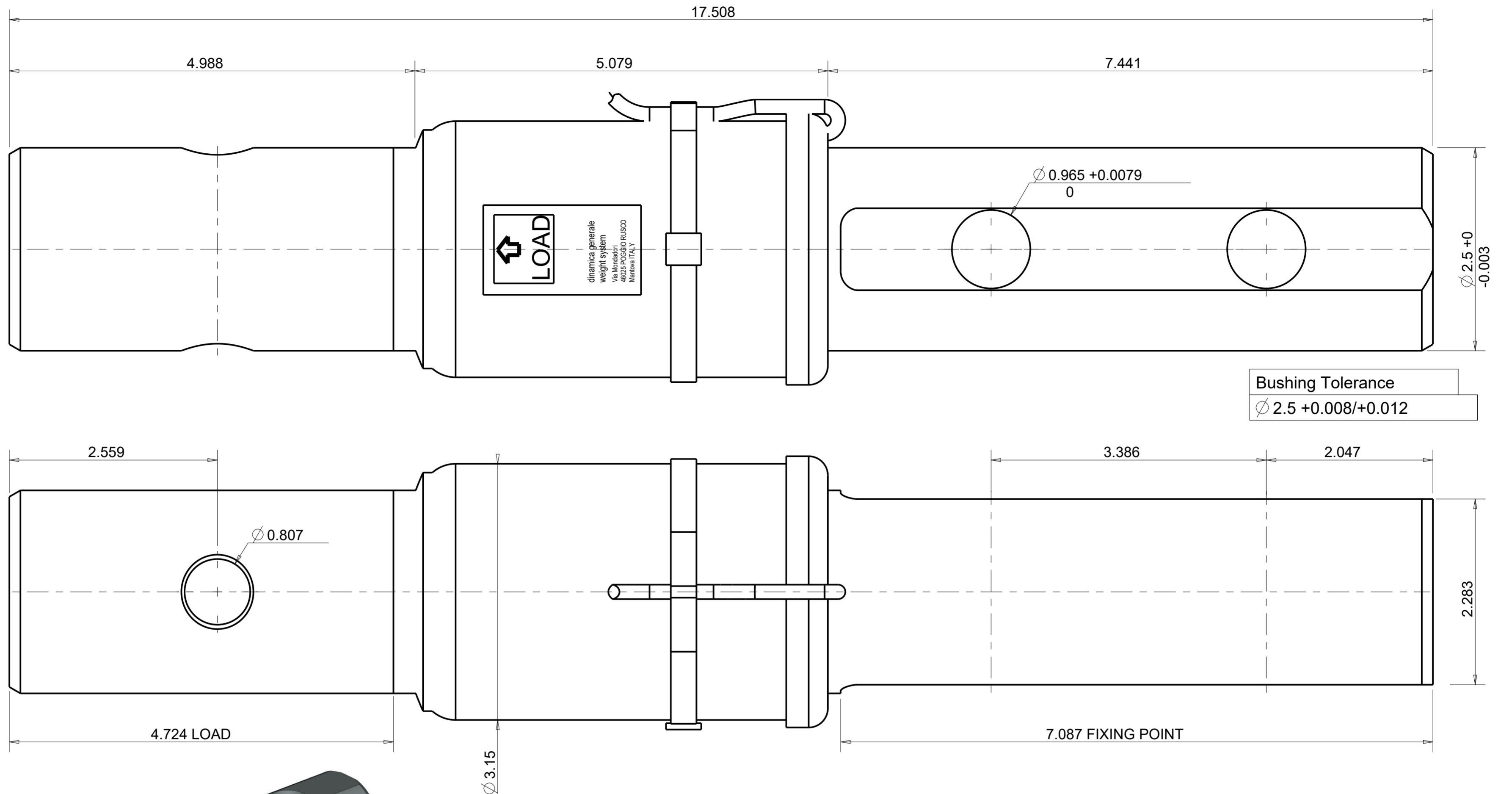
REV.	MOD.N.	DATE	SIGNATURE	DESCRIPTION	SCALE
D	A3	21/04/17	M.B.	Agg. fdm 106-17	1/1
C	A2	25/03/13	M.B.	Aggiornamento protettivi	
B	A1	09/11/09	M.B.	Modificato diametro foro imbragaggio	
A	A0	30/07/09	M.B.	Emissione disegno	
UNSPECIFIED TOLLERANCES					
DATE					± 0.5
SIGNATURE					
WEIGHT [kg]					ROUGHNESS
DESCRIPTION					
MOBILE Load Cell DG14575/63-CO C=10.7m + SPM					
CODE					
969-0155					
REV. A3					
THE COPY OF THIS DRAWING MUST BE APPROVED BY DINAMICA GENERALE					

This documents is for reference, dimensions are subject to change.

ALL RIGHTS OF THE PROJECT STRICTLY RESERVED TO DINAMICA GENERALE. REPRODUCTION OR ISSUE TO THIRD PARTIES IN ANY FORM WHATEVER IS, NOT PERMITTED WITHOUT WRITTEN AUTHORIZATION FROM DINAMICA GENERALE

**DINAMICA GENERALE**  
 Weight Systems  
 46025 Poggio Rusco (MN)  
 Via Mondadori, 15  
 Tel. ++39 0386.52134  
 Fax ++39 0386.51523

MEASURES EXPRESSED IN INCHES



INPUT +	RED	B
INPUT -	BLACK	D
OUTPUT +	GREEN	C
OUTPUT -	WHITE	A
BRAID	YELLOW	E

SPECIFICATIONS	STATIC	MOBILE
RATED LOAD (LBS)	16535	11023
RATED LOAD (Kg)	7500	5000
RATED OUTPUT (mV/V)	1.03	0.69

PART CODE	CABLE LENGHT		CABLE TERMINATION
	FT	m	
969-0155	35.1	10.7	SPM

REV.	MOD.N.	DATE	SIGNATURE	DESCRIPTION	SCALE
D	A3	21/04/17	M.B.	Agg. fdm 106-17	1/1
C	A2	25/03/13	M.B.	Aggiornamento protettivi	
B	A1	09/11/09	M.B.	Modificato diametro foro imbragaggio	
A	A0	30/07/09	M.B.	Emissione disegno	

DATE	*DRAWN	*CHECKED	*APPROVED	UNSPECIFIED TOLLERANCES
	30/07/2009	30/07/2009	30/07/2009	
SIGNATURE	M.Bresciani	A.Zennaro	A.Barbi	ROUGHNESS
WEIGHT [lbs]	23.546			*REFER TO ORIGINAL DRAWING IF SIGNATURE ARE PRINTED
DESCRIPTION	MOBILE Load Cell DG14575/63-CO C=10.7m + SPM			
CODE	969-0155	REV.	A3	THE COPY OF THIS DRAWING MUST BE APPROVED BY DINAMICA GENERALE

This documents is for reference, dimensions are subject to change.

ALL RIGHTS OF THE PROJECT STRICTLY RESERVED TO DINAMICA GENERALE. REPRODUCTION OR ISSUE TO THIRD PARTIES IN ANY FORM WHATEVER IS, NOT PERMITTED WITHOUT WRITTEN AUTHORIZATION FROM DINAMICA GENERALE

**DINAMICA GENERALE**  
Weight Systems  
46025 Poggio Rusco (MN)  
Via Mondadori, 15  
Tel. ++39 0386.52134  
Fax ++39 0386.51523