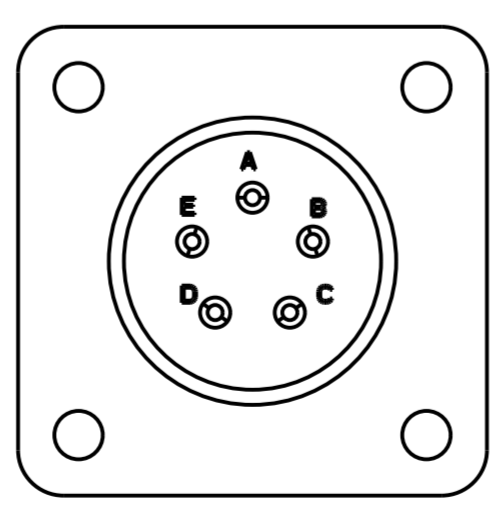
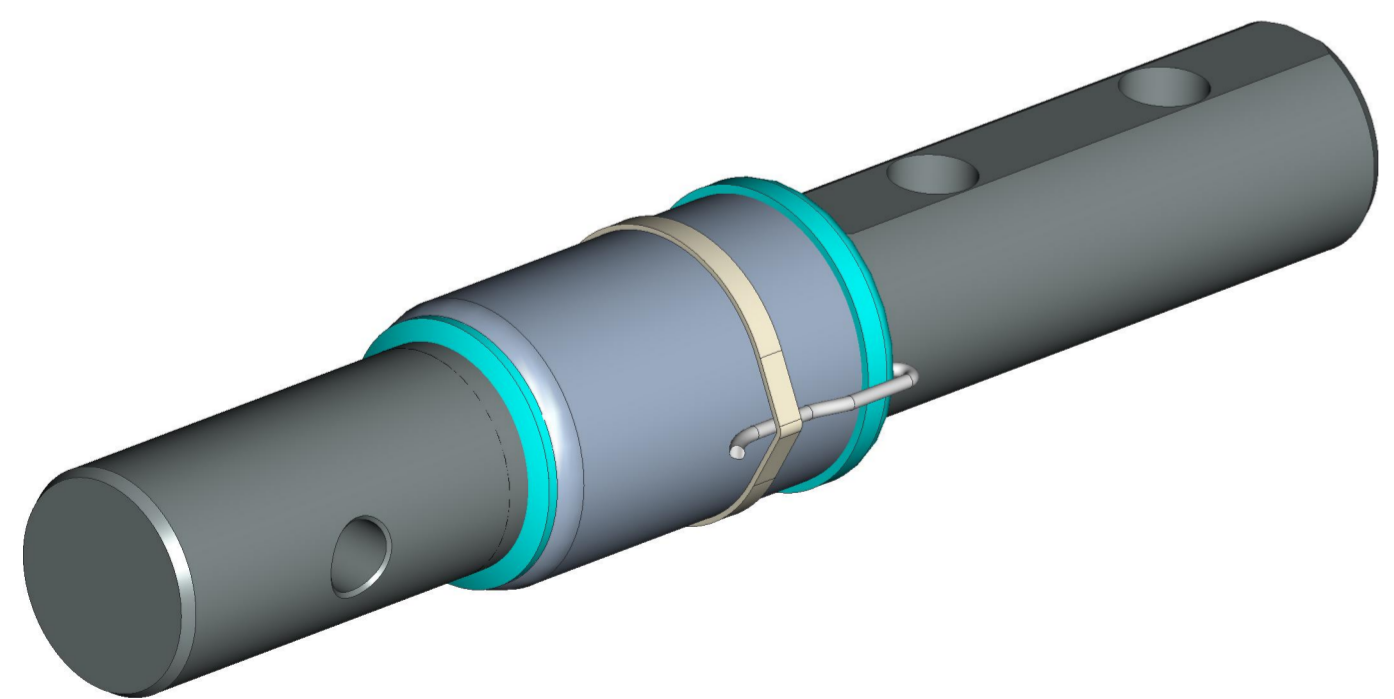
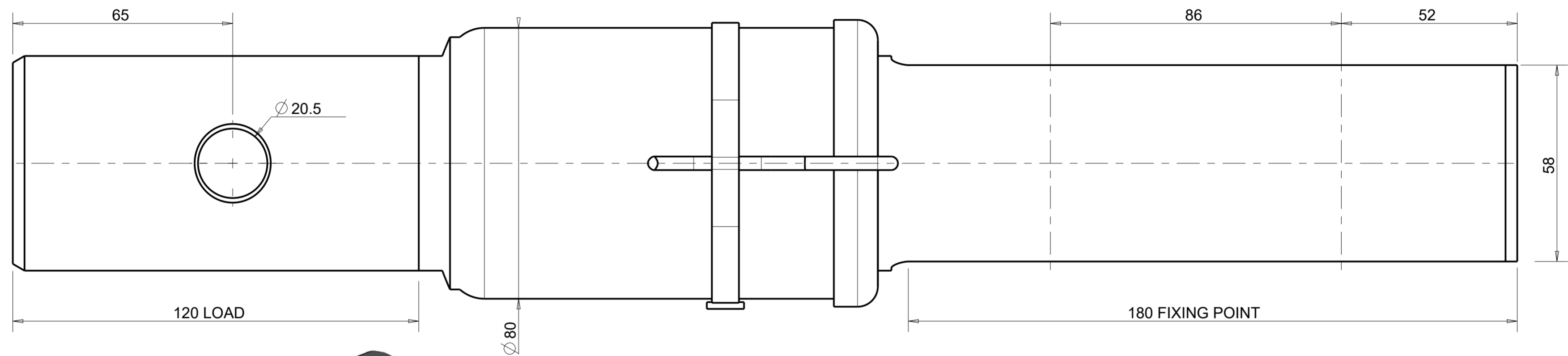


Bushing Tolerance
 $\varnothing 63.5 +0.2/+0.3$



INPUT +	RED	B
INPUT -	BLACK	D
OUTPUT +	GREEN	C
OUTPUT -	WHITE	A
BRAID	YELLOW	E

SPECIFICATIONS	STATIC	MOBILE
RATED LOAD (LBS)	16535	11023
RATED LOAD (Kg)	7500	5000
RATED OUTPUT (mV/V)	1.03	0.69

PART CODE	CABLE LENGHT		CABLE TERMINATION
	FT	m	
969-0157	21.3	6.5	SPM

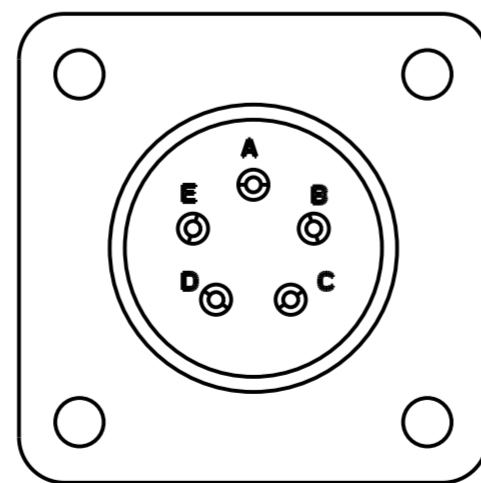
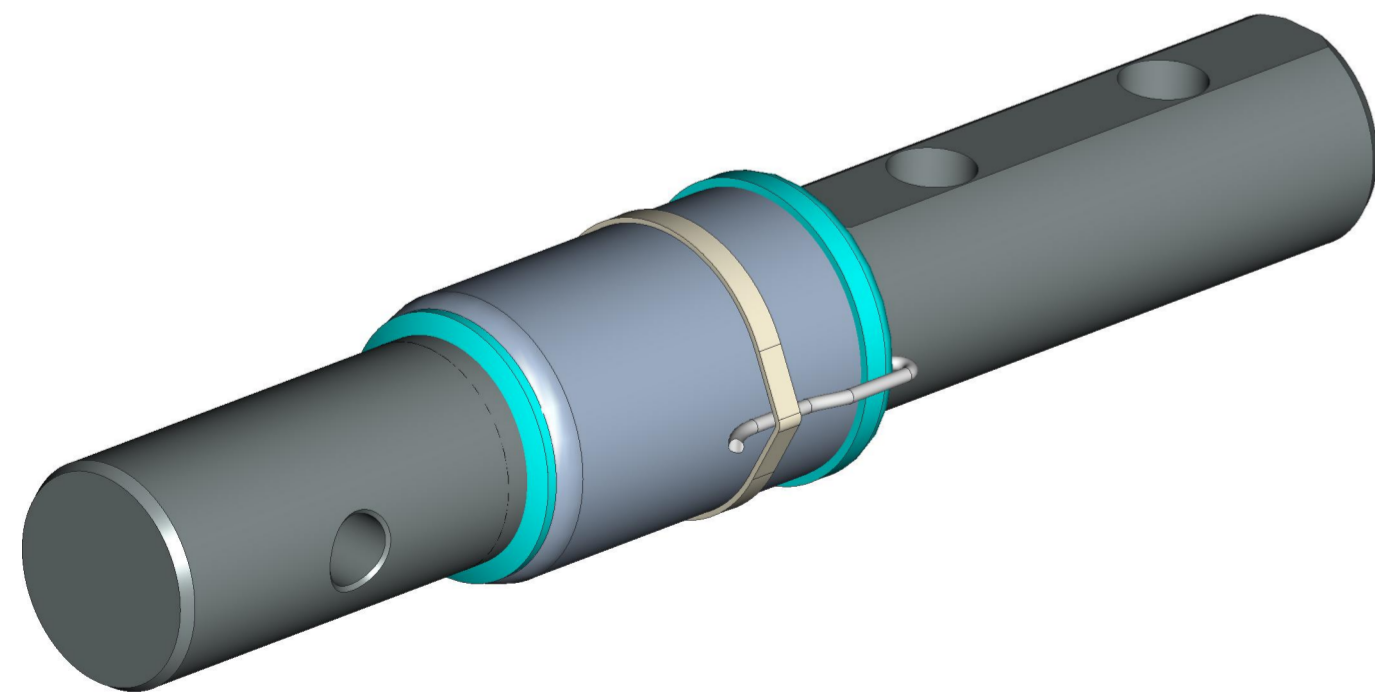
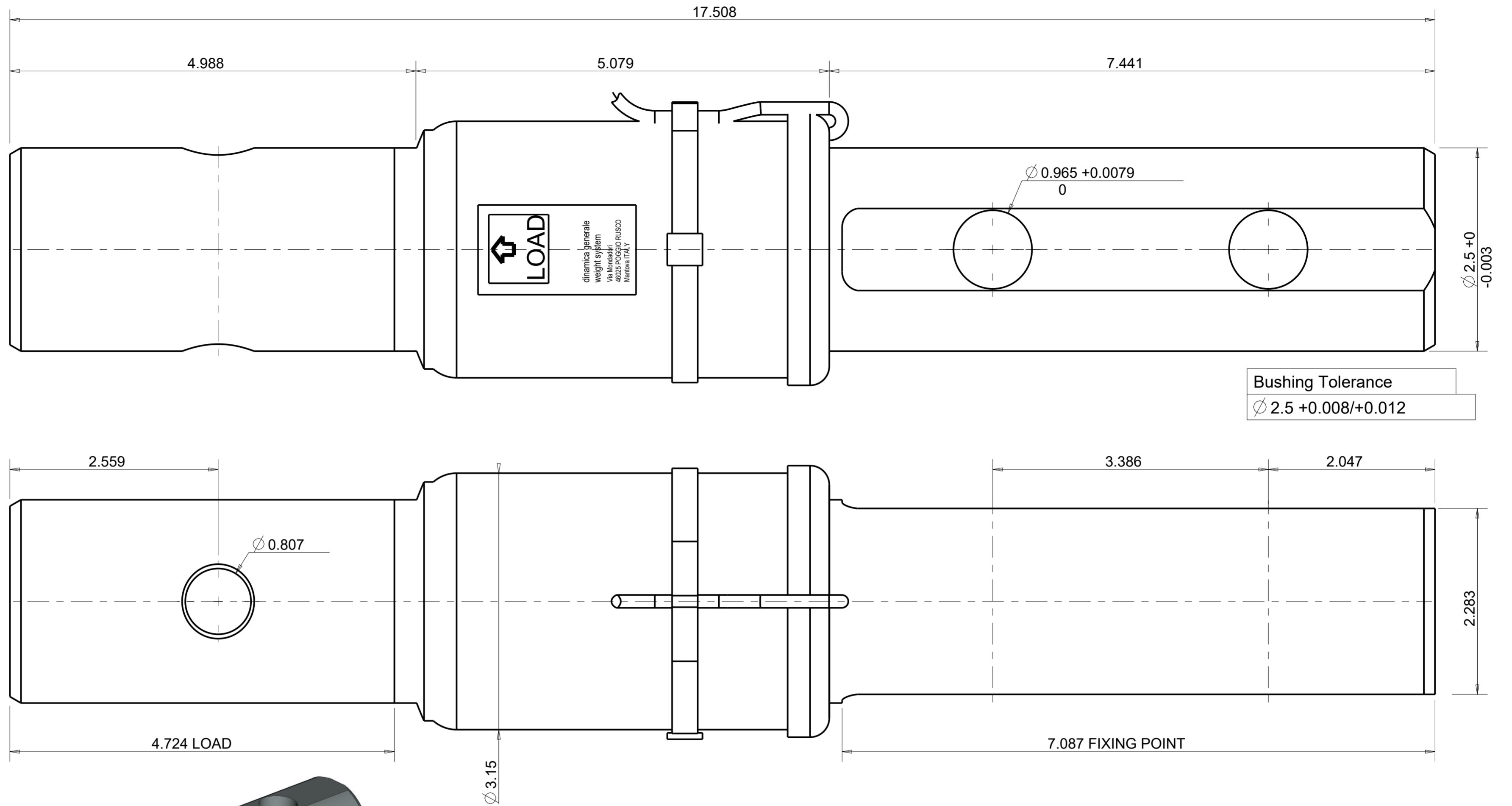
REV.	MOD.N.	DATE	SIGNATURE	DESCRIPTION	SCALE	A2
E	A4	09/05/17	M.B.	Aggiornata lunghezza cavo 6.5m	1/1	A2
D	A3	04/11/16	M.B.	Agg. fdm 263_16		
C	A2	25/03/13	M.B.	Aggiornamento protettivi		
B	A1	09/11/09	M.B.	Modificato diametro fori imbragaggio		
A	A0	21/08/09	M.B.	Emissione disegno		
UNSPECIFIED TOLLERANCES				± 0.5		
WEIGHT [kg]				10.663	ROUGHNESS	
DESCRIPTION				MOBILE Load Cell DG14575/63-CO C=6.5m + SPM		
CODE				969-0157	REV. A4	THE COPY OF THIS DRAWING MUST BE APPROVED BY DINAMICA GENERALE

This documents is for reference, dimensions are subject to change.

ALL RIGHTS OF THE PROJECT STRICTLY RESERVED TO DINAMICA GENERALE. REPRODUCTION OR ISSUE TO THIRD PARTIES IN ANY FORM WHATEVER IS, NOT PERMITTED WITHOUT WRITTEN AUTHORIZATION FROM DINAMICA GENERALE

DINAMICA GENERALE
 Weight Systems
 46025 Poggio Rusco (MN)
 Via Mondadori, 15
 Tel. ++39 0386.52134
 Fax ++39 0386.51523

MEASURES EXPRESSED IN INCHES



INPUT +	RED	B
INPUT -	BLACK	D
OUTPUT +	GREEN	C
OUTPUT -	WHITE	A
BRAID	YELLOW	E

SPECIFICATIONS	STATIC	MOBILE
RATED LOAD (LBS)	16535	11023
RATED LOAD (Kg)	7500	5000
RATED OUTPUT (mV/V)	1.03	0.69

PART CODE	CABLE LENGHT		CABLE TERMINATION
	FT	m	
969-0157	21.3	6.5	SPM

REV.	MOD.N.	DATE	SIGNATURE	DESCRIPTION	SCALE	A2											
E	A4	09/05/17	M.B.	Aggiornata lunghezza cavo 6.5m	1/1	A2											
D	A3	04/11/16	M.B.	Agg. fdm 263 -16													
C	A2	25/03/13	M.B.	Aggiornamento protettivi													
B	A1	09/11/09	M.B.	Modificato diametro fori imbragaggio													
A	A0	21/08/09	M.B.	Emissione disegno													
<table border="1"> <thead> <tr> <th>*DRAWN</th> <th>*CHECKED</th> <th>*APPROVED</th> <th>UNSPECIFIED TOLLERANCES</th> </tr> </thead> <tbody> <tr> <td>DATE: 21/08/2009</td> <td>21/08/2009</td> <td>21/08/2009</td> <td>± 0.02</td> </tr> <tr> <td>SIGNATURE: M.Bresciani</td> <td>A.Zennaro</td> <td>A.Barbi</td> <td>ROUGHNESS</td> </tr> </tbody> </table>				*DRAWN	*CHECKED	*APPROVED	UNSPECIFIED TOLLERANCES	DATE: 21/08/2009	21/08/2009	21/08/2009	± 0.02	SIGNATURE: M.Bresciani	A.Zennaro	A.Barbi	ROUGHNESS		
*DRAWN	*CHECKED	*APPROVED	UNSPECIFIED TOLLERANCES														
DATE: 21/08/2009	21/08/2009	21/08/2009	± 0.02														
SIGNATURE: M.Bresciani	A.Zennaro	A.Barbi	ROUGHNESS														
<table border="1"> <thead> <tr> <th>WEIGHT [lbs]</th> <th>*REFER TO ORIGINAL DRAWING IF SIGNATURE ARE PRINTED</th> <th>ROUGHNESS</th> </tr> </thead> <tbody> <tr> <td>23.507</td> <td></td> <td></td> </tr> </tbody> </table>				WEIGHT [lbs]	*REFER TO ORIGINAL DRAWING IF SIGNATURE ARE PRINTED	ROUGHNESS	23.507										
WEIGHT [lbs]	*REFER TO ORIGINAL DRAWING IF SIGNATURE ARE PRINTED	ROUGHNESS															
23.507																	
DESCRIPTION: MOBILE Load Cell DG14575/63-CO C=6.5m + SPM																	
CODE: 969-0157			REV: A4		THE COPY OF THIS DRAWING MUST BE APPROVED BY DINAMICA GENERALE												

This documents is for reference, dimensions are subject to change.

ALL RIGHTS OF THE PROJECT STRICTLY RESERVED TO DINAMICA GENERALE. REPRODUCTION OR ISSUE TO THIRD PARTIES IN ANY FORM WHATEVER IS, NOT PERMITTED WITHOUT WRITTEN AUTHORIZATION FROM DINAMICA GENERALE

DINAMICA GENERALE
Weight Systems
46025 Poggio Rusco (MN)
Via Mondadori, 15
Tel. ++39 0386.52134
Fax ++39 0386.51523