

This documents is for reference, dimensions are subject to change.

ALL RIGHTS OF THE PROJECT STRICTLY RESERVED TO DINAMICA GENERALE. REPRODUCTION OR ISSUE TO THIRD PARTIES IN ANY FORM WHATEVER IS, NOT PERMITTED WITHOUT WRITTEN AUTHORIZATION FROM DINAMICA GENERALE

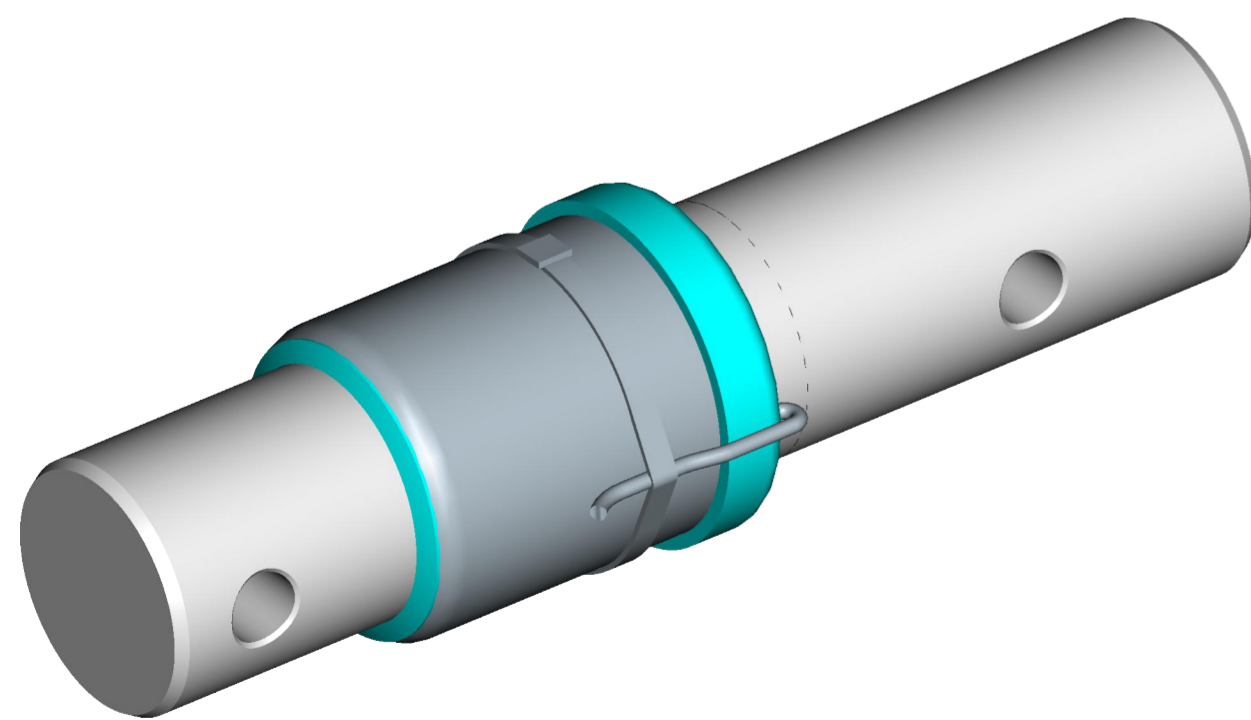
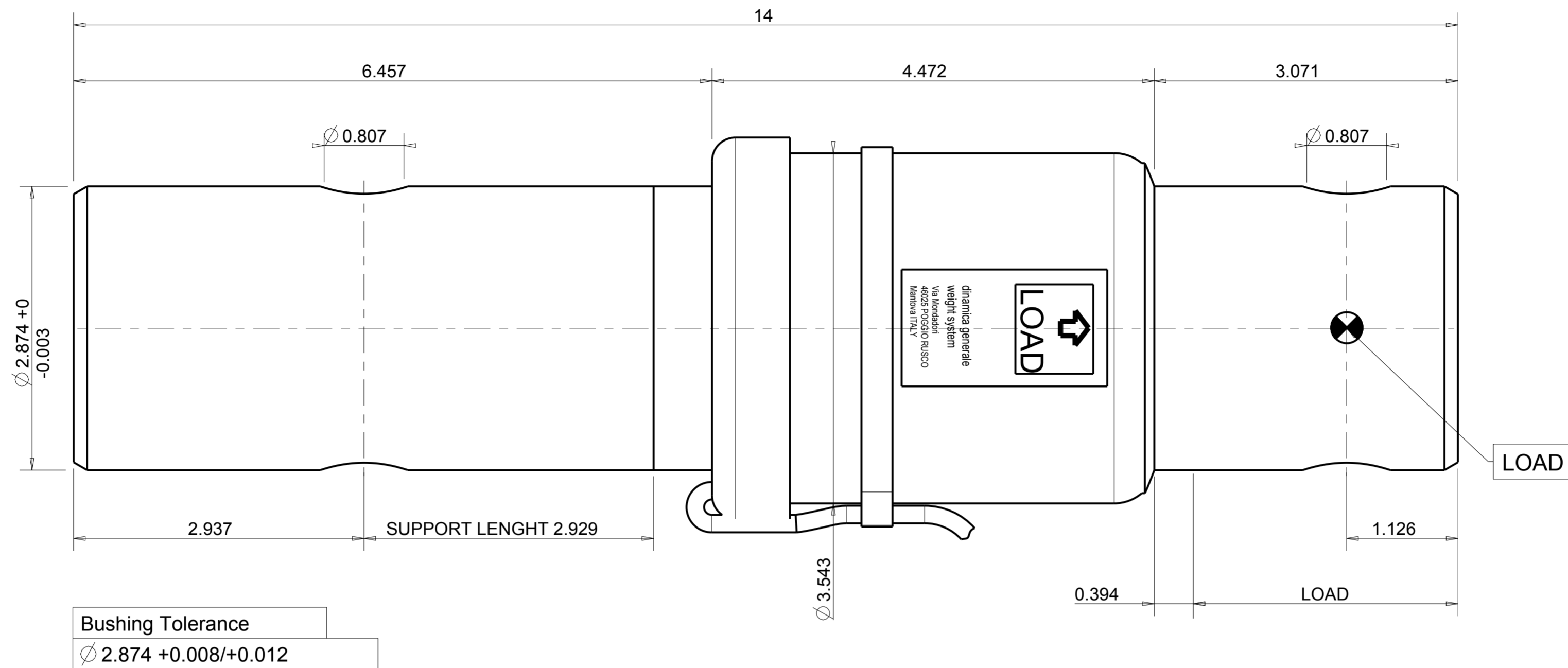
INPUT +	RED
INPUT -	BLACK
OUTPUT +	GREEN
OUTPUT -	WHITE
BRAID	BLUE

SPECIFICATIONS	STATIC	MOBILE
RATED LOAD (LBS)	30000	20000
RATED LOAD (Kg)	13608	9072
RATED OUTPUT (mV/V)	1.303	0.869

PART CODE	CABLE LENGHT		CABLE TERMINATION
	FT	m	
969-0158	21.3	6.5	Wires

REV.	MOD.N.	DATE	SIGNATURE	DESCRIPTION	SCALE
D	A3	24/02/16	M.B.	Aggiornamento fdm 39-16	A2
C	A2	31/10/12	M.B.	Aggiornamento resina	
B	A1	01/03/10	M.B.	Modificato interasse	
A	A0	30/09/09	M.B.	Emissione disegno	
UNSPECIFIED TOLLERANCES					
					1/1
					± 0.5
					ROUGHNESS
 46025 Poggio Rusco (MN) Via Mondadori, 15 Tel. ++39 0386.52134 Fax ++39 0386.51523					
*DRAWN: 30/09/2009 *CHECKED: 30/09/2009 *APPROVED: 30/09/2009 SIGNATURE: M.Bresciani, A.Zennaro, M.Gilli WEIGHT [kg]: 11.506 *REFER TO ORIGINAL DRAWING IF SIGNATURE ARE PRINTED					
DESCRIPTION: MOBILE Load Cell DG20879/73-BU C=6.5m + Wires					
CODE: 969-0158					REV. A3
THE COPY OF THIS DRAWING MUST BE APPROVED BY DINAMICA GENERALE					

MEASURES EXPRESSED IN INCHES



This documents is for reference, dimensions are subject to change.

ALL RIGHTS OF THE PROJECT STRICTLY RESERVED TO DINAMICA GENERALE. REPRODUCTION OR ISSUE TO THIRD PARTIES IN ANY FORM WHATEVER IS, NOT PERMITTED WITHOUT WRITTEN AUTHORIZATION FROM DINAMICA GENERALE

INPUT +	RED
INPUT -	BLACK
OUTPUT +	GREEN
OUTPUT -	WHITE
BRAID	BLUE

SPECIFICATIONS	STATIC	MOBILE
RATED LOAD (LBS)	30000	20000
RATED LOAD (Kg)	13608	9072
RATED OUTPUT (mV/V)	1.303	0.869

PART CODE	CABLE LENGHT		CABLE TERMINATION
	FT	m	
969-0158	21.3	6.5	Wires

REV.	MOD.N.	DATE	SIGNATURE	DESCRIPTION	SCALE		
D	A3	29/02/16	M.B.	Aggiornamento fdm 39-16	A2		
C	A2	31/10/12	M.B.	Aggiornamento resina			
B	A1	01/03/10	M.B.	Modificato interasse			
A	A0	30/09/09	M.B.	Emissione disegno			
SCALE 1/1							
				*DRAWN	*CHECKED	*APPROVED	UNSPECIFIED TOLLERANCES
				DATE	30/09/2009	30/09/2009	30/09/2009
				SIGNATURE	M.Bresciani	A.Zennaro	M.Gilli
				WEIGHT [lbs]	25.367		*REFER TO ORIGINAL DRAWING IF SIGNATURE ARE PRINTED
				DESCRIPTION	MOBILE Load Cell DG20879/73-BU C=6.5m + Wires		
				CODE	969-0158	REV. A3	THE COPY OF THIS DRAWING MUST BE APPROVED BY DINAMICA GENERALE


DINAMICA GENERALE
 Weight Systems
 46025 Poggio Rusco (MN)
 Via Mondadori, 15
 Tel. ++39 0386.52134
 Fax ++39 0386.51523