

SPECIFICATIONS	MOBILE
RATED LOAD (LBS)	77
RATED LOAD (Kg)	35
RATED OUTPUT (mV/V)	0.82

PART CODE	CABLE LENGHT		CABLE TERMINATION
	FT	m	
969-0251	21.3	6.5	Wires

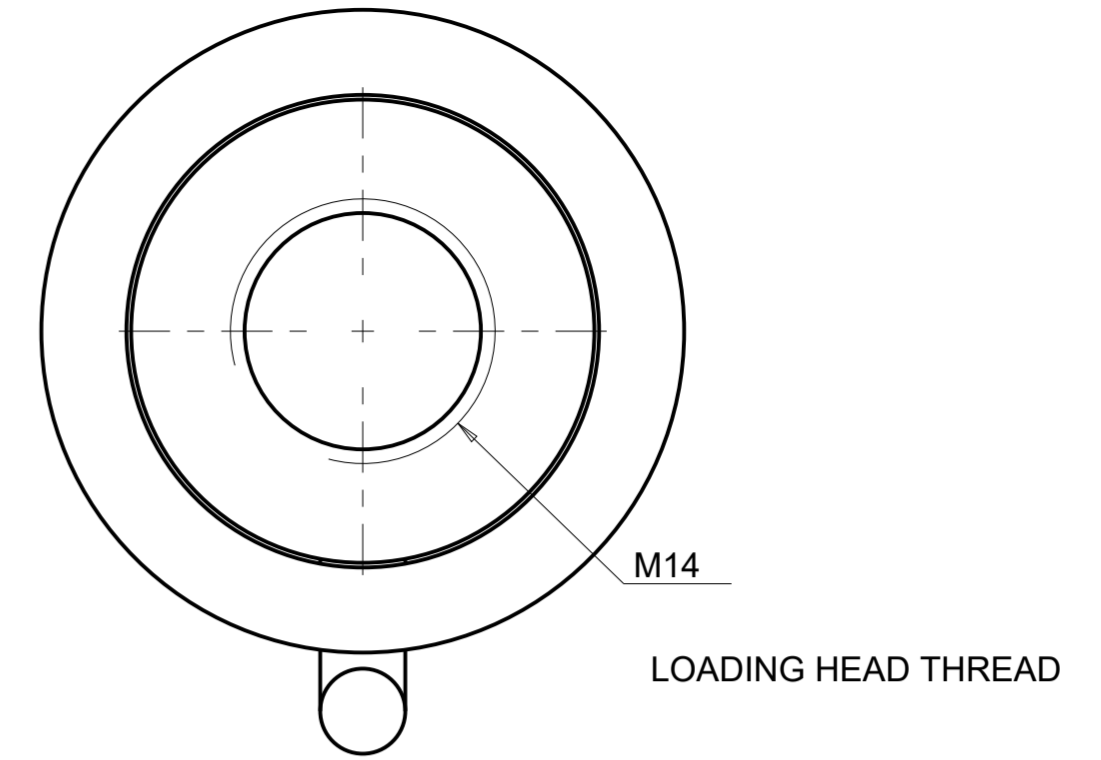
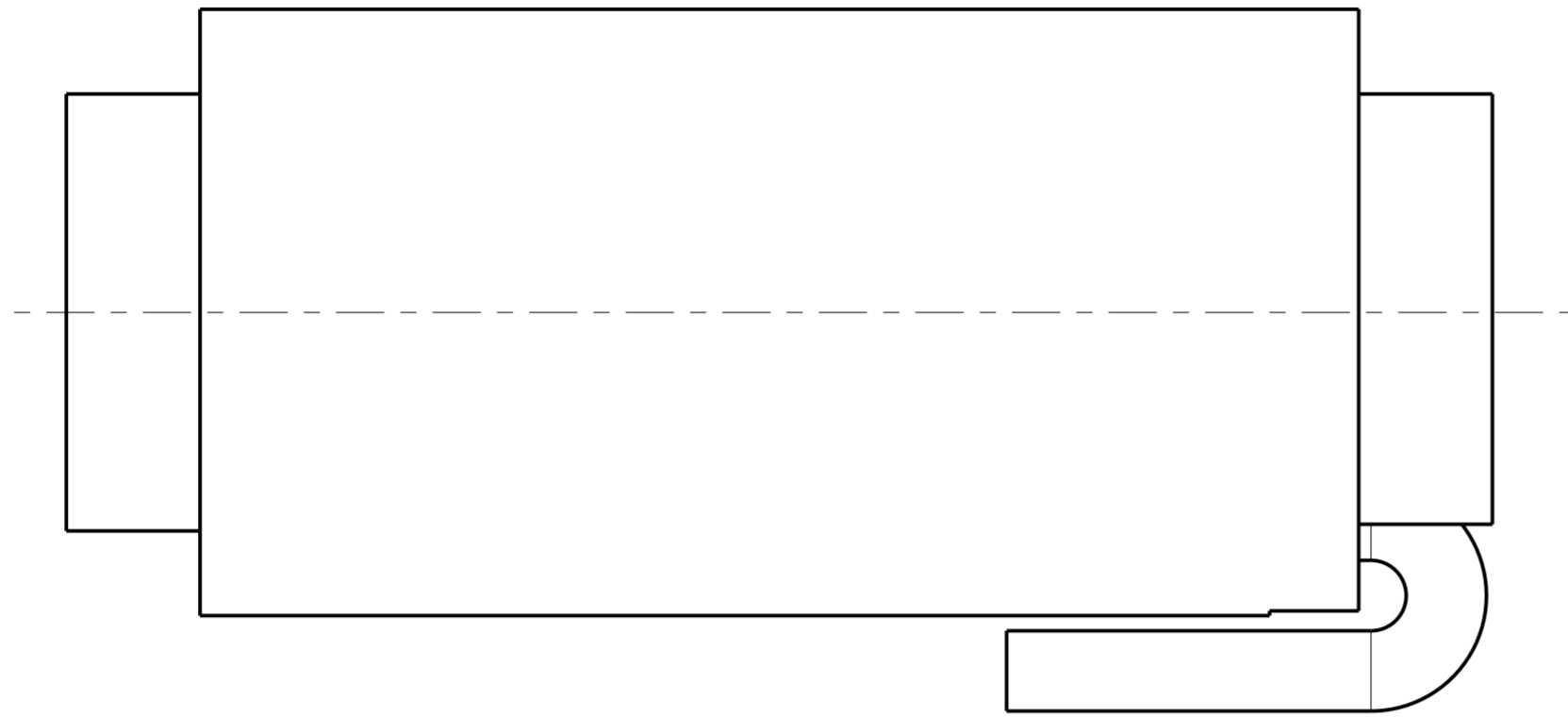
WIRE	DG	REF.CUSTOMER
INPUT +	RED	YELLOW
INPUT -	BLACK	BROWN
OUTPUT +	GREEN	GREEN
OUTPUT -	WHITE	WHITE

INPUT IMPEDENCE - RED/BLACK (Ω)	120-135
OUTPUT IMPEDENCE - GREEN/WHITE (Ω)	120 \pm 1

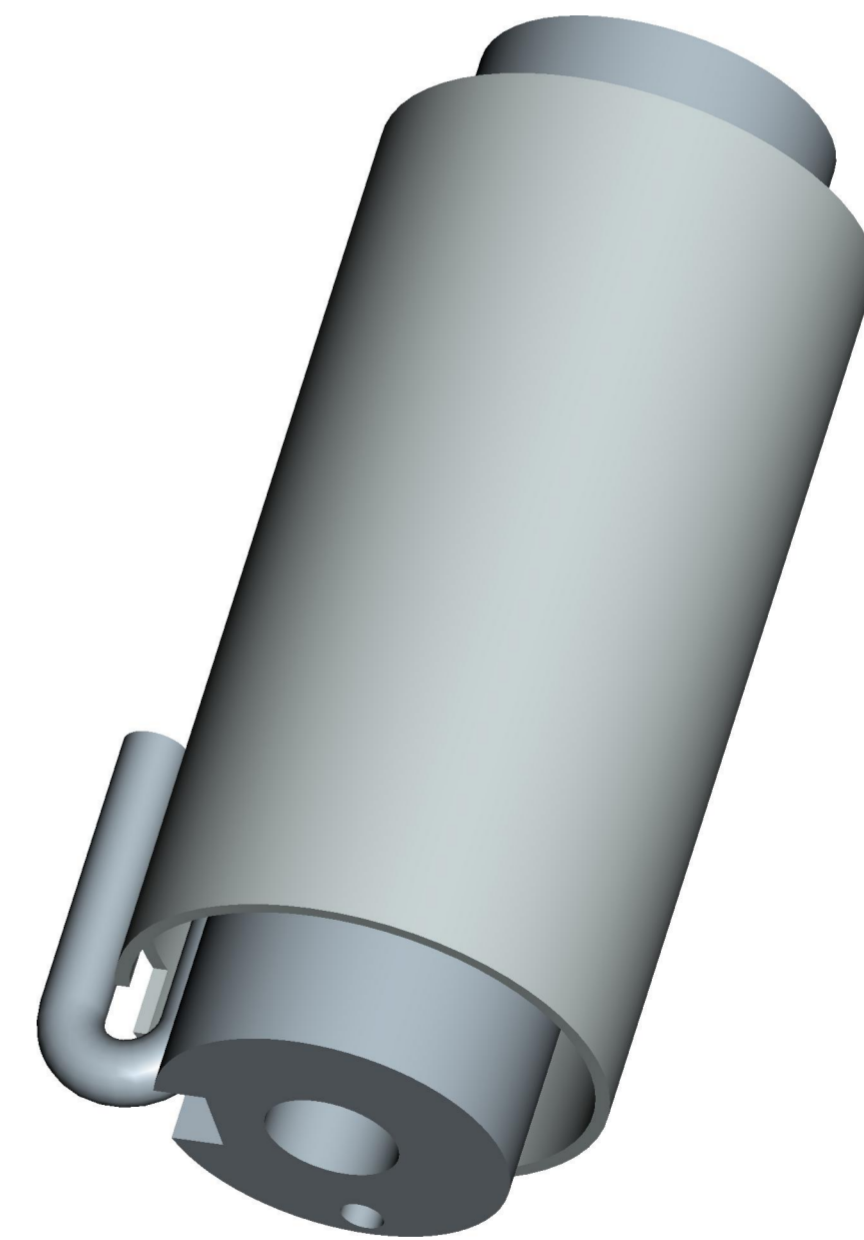
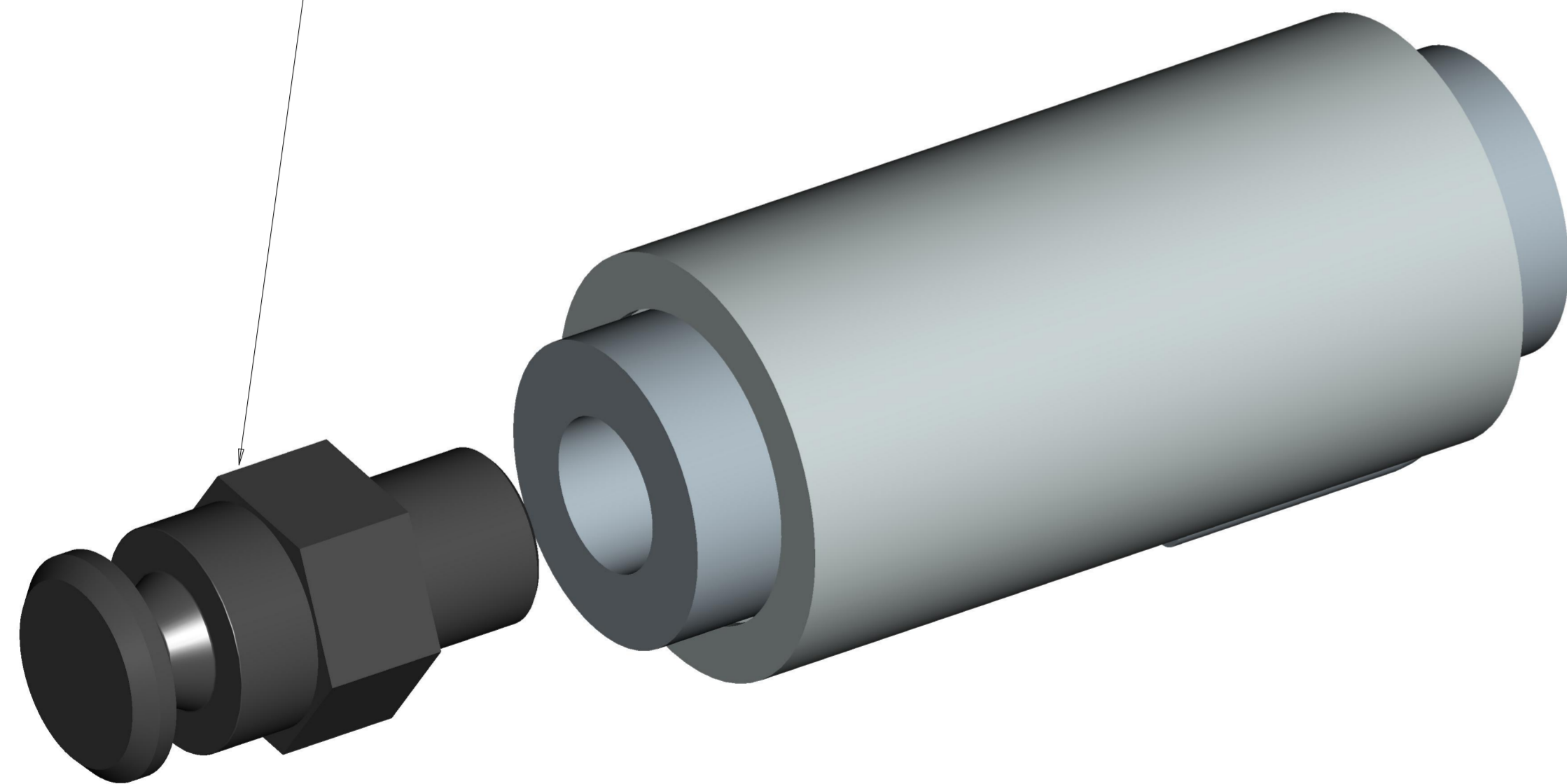
REV.	MOD.N.	DATE	SIGNATURE	DESCRIPTION	SCALE
C	A2	22/05/17	M.B.	Agg. cavo fdm 135-17	A2
B	A1	23/05/13	M.B.	Revisione generale	
A	A0	02/02/12	M.B.	Emissione disegno	
SCALE 5/2					
UNSPECIFIED TOLLERANCES					± 0.5
ROUGHNESS					
DINAMICA GENERALE Weight Systems		*DRAWN DATE: 02/02/2012 SIGNATURE: M.BRESCIANI		*CHECKED DATE: 02/02/2012 SIGNATURE: A. ZENNARO	
46025 Poggio Rusco (MN) Via Mondadori, 15 Tel. ++39 0386.52134 Fax ++39 0386.51523		*APPROVED DATE: 02/02/2012 SIGNATURE: M. GILLI		*REFER TO ORIGINAL DRAWING IF SIGNATURE ARE PRINTED	
DESCRIPTION: Cella MOBILE DG85/24-DU C=6.5m + Fili_DG					
CODE: 969-0251				REV. A2	
THE COPY OF THIS DRAWING MUST BE APPROVED BY DINAMICA GENERALE					

This documents is for reference, dimensions are subject to change.

ALL RIGHTS OF THE PROJECT STRICTLY RESERVED TO DINAMICA GENERALE. REPRODUCTION OR ISSUE TO THIRD PARTIES IN ANY FORM WHATEVER IS, NOT PERMITTED WITHOUT WRITTEN AUTHORIZATION FROM DINAMICA GENERALE



NOTE: THE LOADING HEAD IS NOT SUPPLIED TOGETHER WITH THE LOAD CELL



This documents is for reference, dimensions are subject to change.

ALL RIGHTS OF THE PROJECT STRICTLY RESERVED TO DINAMICA GENERALE. REPRODUCTION OR ISSUE TO THIRD PARTIES IN ANY FORM WHATEVER IS, NOT PERMITTED WITHOUT WRITTEN AUTHORIZATION FROM DINAMICA GENERALE

C	A2	22/05/17	M.B.	Agg. cavo fdm 135-17		A2	
B	A1	23/05/13	M.B.	Revisione generale			
A	A0	02/02/12	M.B.	Emissione disegno			
REV.	MOD.N.	DATE	SIGNATURE	DESCRIPTION	SCALE	5/2	
				*DRAWN	*CHECKED	*APPROVED	
				DATE	02/02/2012	02/02/2012	02/02/2012
				SIGNATURE	M.BRESCIANI	A. ZENNARO	M. GILLI
				WEIGHT [kg]	0.295		*REFER TO ORIGINAL DRAWING IF SIGNATURE ARE PRINTED
				DESCRIPTION	Cella MOBILE DG85/24-DU C=6.5m + Fili _DG		ROUGHNESS
				CODE	969-0251	REV.	A2
				46025 Poggio Rusco (MN) Via Mondadori, 15 Tel. ++39 0386.52134 Fax ++39 0386.51523			THE COPY OF THIS DRAWING MUST BE APPROVED BY DINAMICA GENERALE