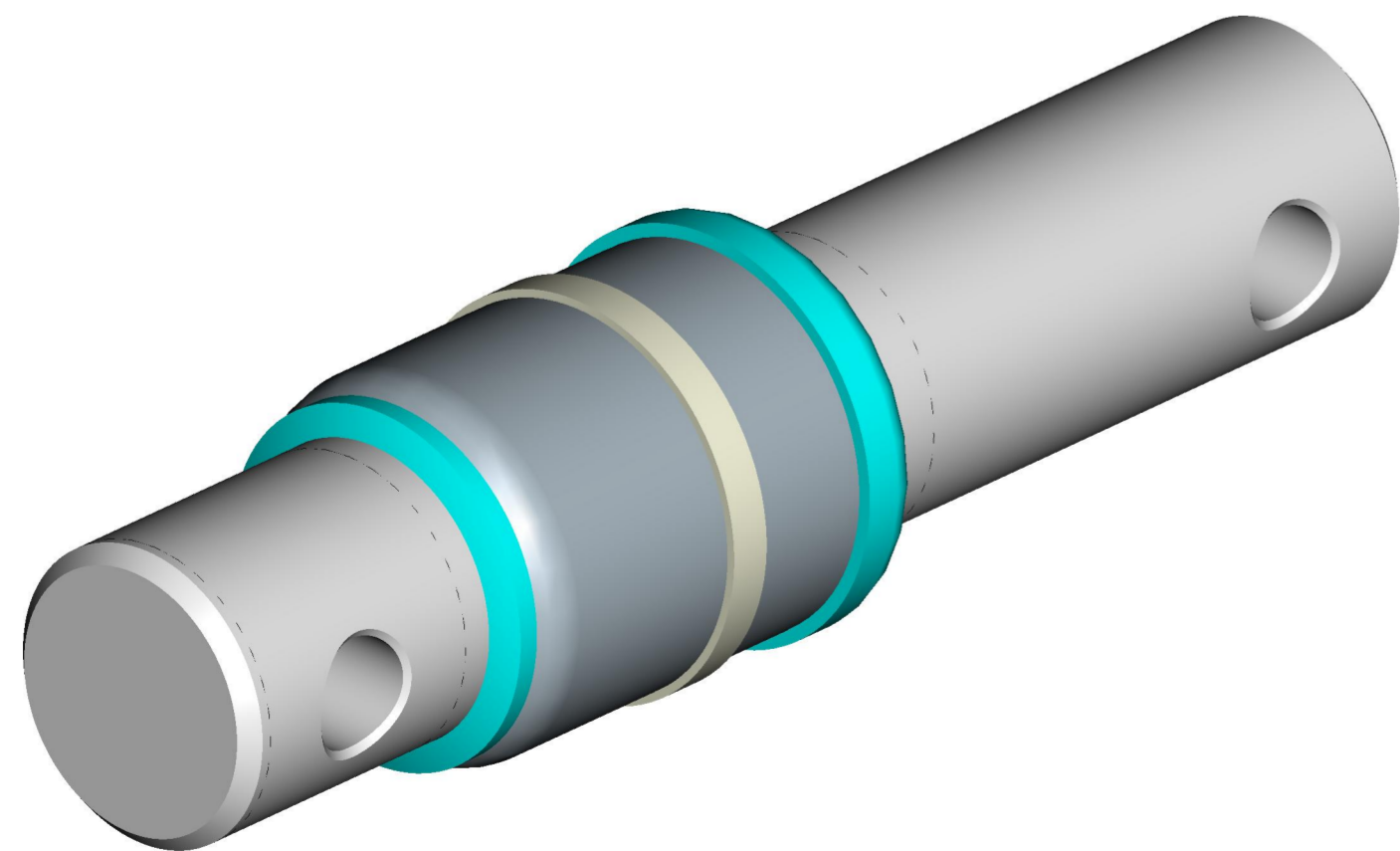


Bushing Diameter Tolerance  $\varnothing 54 +0.3/+0.4$



This documents is for reference dimensions are subject to change.

INPUT +	RED
INPUT -	BLACK
OUTPUT +	GREEN
OUTPUT -	WHITE

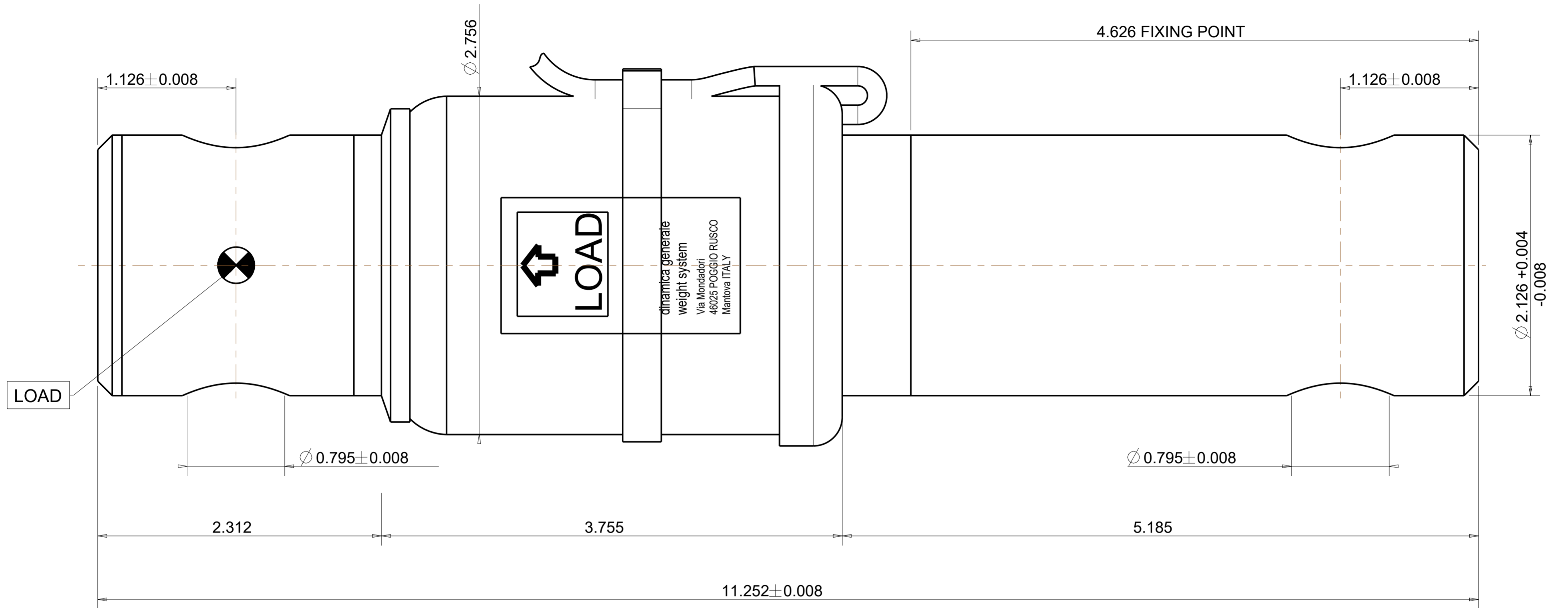
SPECIFICATIONS	STATIC	MOBILE
RATED LOAD (LBS)	16535	11023
RATED LOAD (Kg)	7500	5000
RATED OUTPUT (mV/V)	0.825	0.550

PART CODE	CABLE LENGHT		CABLE TERMINATION
	FT	m	
969-0255	21.3	6.5	ECP

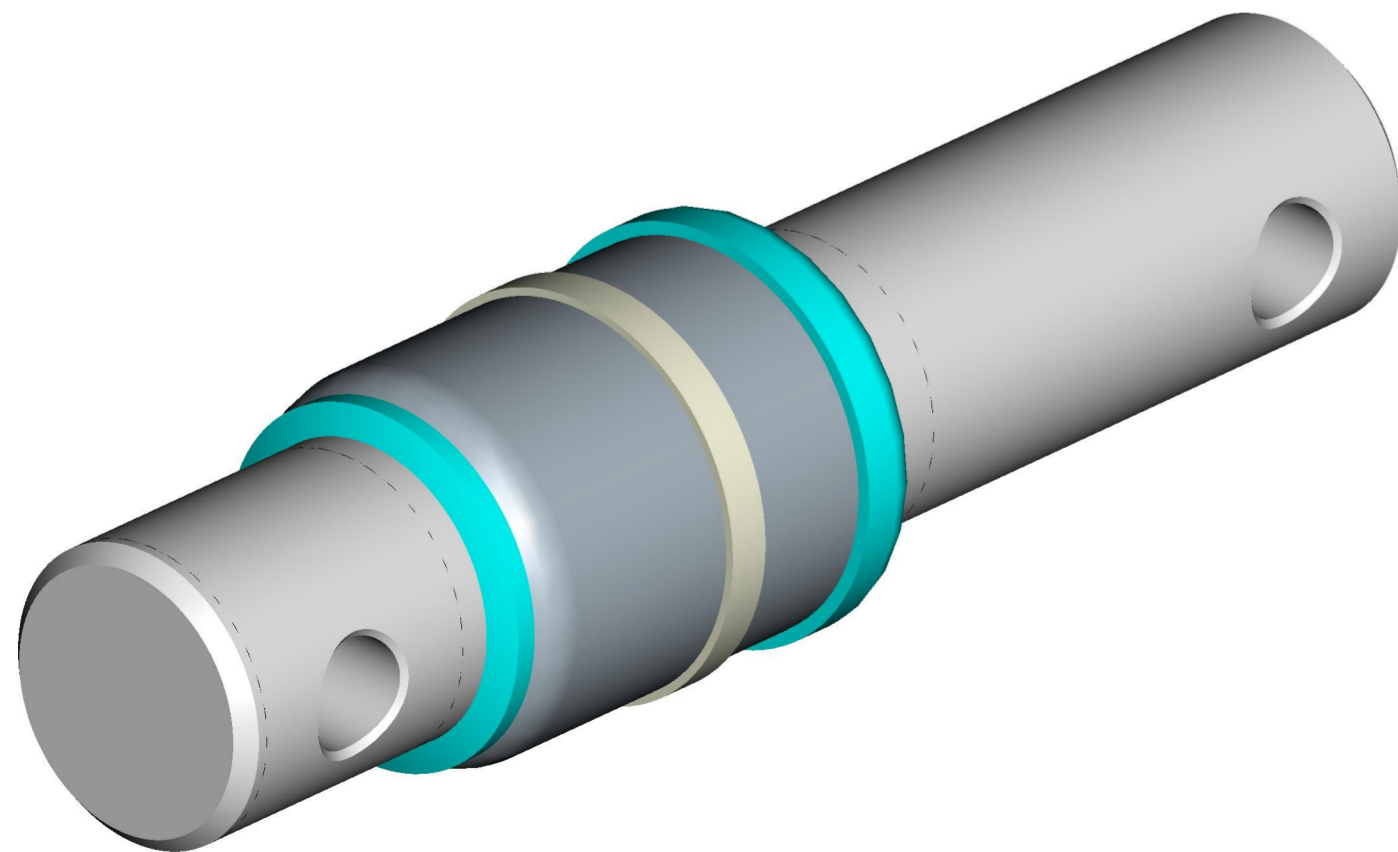
REV.	MOD.N.	DATE	SIGNATURE	DESCRIPTION	SCALE			
D	A3	11/10/16	M.B.	Agg. fdm 234-16	A2			
C	A2	23/04/14	M.B.	Agg. tolleranze fdm 128/14				
B	A1	18/05/12	M.B.	Aggiornata rev. albero A3 + Agg. DG	8/5			
A	A0	22/02/12	M.B.	Prima emissione				
				*DRAWN	*CHECKED	*APPROVED	UNSPECIFIED TOLLERANCES	
				DATE	22/02/2012	22/02/2012	22/02/2012	± 0.5
				SIGNATURE	M.Bresciani	A.Zennaro	A.Barbi	ROUGHNESS
				WEIGHT	KG.4.92		*REFER TO ORIGINAL DRAWING IF SIGNATURE ARE PRINTED	
				DESCRIPTION	MOBILE Load Cell DG18144/54-BT C=6.5m - ECP			
				CODE	969-0255	REV.	A3	THE COPY OF THIS DRAWING MUST BE APPROVED BY DINAMICA GENERALE

  
**DINAMICA GENERALE**  
 Weight Systems  
 46025 Poggio Rusco (MN)  
 Via Mondadori, 15  
 Tel. ++39 0386.52134  
 Fax ++39 0386.51523

MEASURES EXPRESSED IN INCHES



Bushing Diameter Tolerance  $\varnothing 2.126 +0.012/+0.016$



This documents is for reference dimensions are subject to change.

INPUT +	RED
INPUT -	BLACK
OUTPUT +	GREEN
OUTPUT -	WHITE

SPECIFICATIONS	STATIC	MOBILE
RATED LOAD (LBS)	16535	11023
RATED LOAD (Kg)	7500	5000
RATED OUTPUT (mV/V)	0.825	0.550

PART CODE	CABLE LENGHT		CABLE TERMINATION
	FT	m	
969-0255	21.3	6.5	ECP

REV.	MOD.N.	DATE	SIGNATURE	DESCRIPTION	SCALE	
D	A3	11/10/16	M.B.	Agg. fdm 234-16	8/5	A2
C	A2	23/04/14	M.B.	Agg. tolleranze fdm 128/14		
B	A1	18/05/12	M.B.	Aggiornata rev. albero A3 + Agg. DG		
A	A0	22/02/12	M.B.	Prima emissione		
UNSPECIFIED TOLLERANCES				± 0.02		
ROUGHNESS				REFER TO ORIGINAL DRAWING IF SIGNATURE ARE PRINTED		
DESCRIPTION				MOBILE Load Cell DG18144/54-BT C=6.5m - ECP		
CODE				969-0255	REV. A3	THE COPY OF THIS DRAWING MUST BE APPROVED BY DINAMICA GENERALE

**DINAMICA GENERALE**  
Weight Systems  
46025 Poggio Rusco (MN)  
Via Mondadori, 15  
Tel. ++39 0386.52134  
Fax ++39 0386.51523