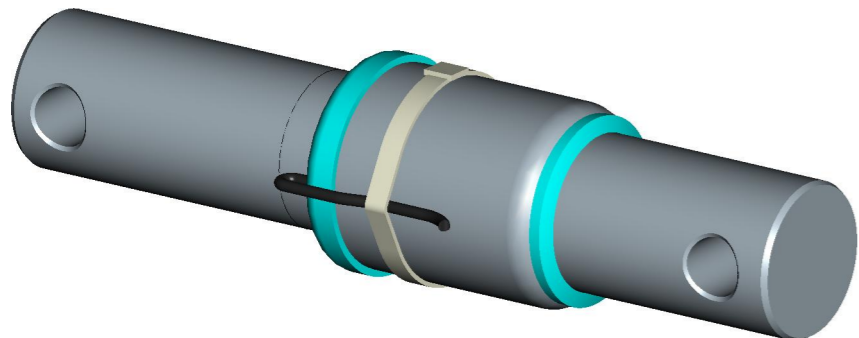


Bushing Diameter Tolerance  $\phi 54 +0.3/+0.4$



INPUT +	RED
INPUT -	BLACK
OUTPUT +	GREEN
OUTPUT -	WHITE

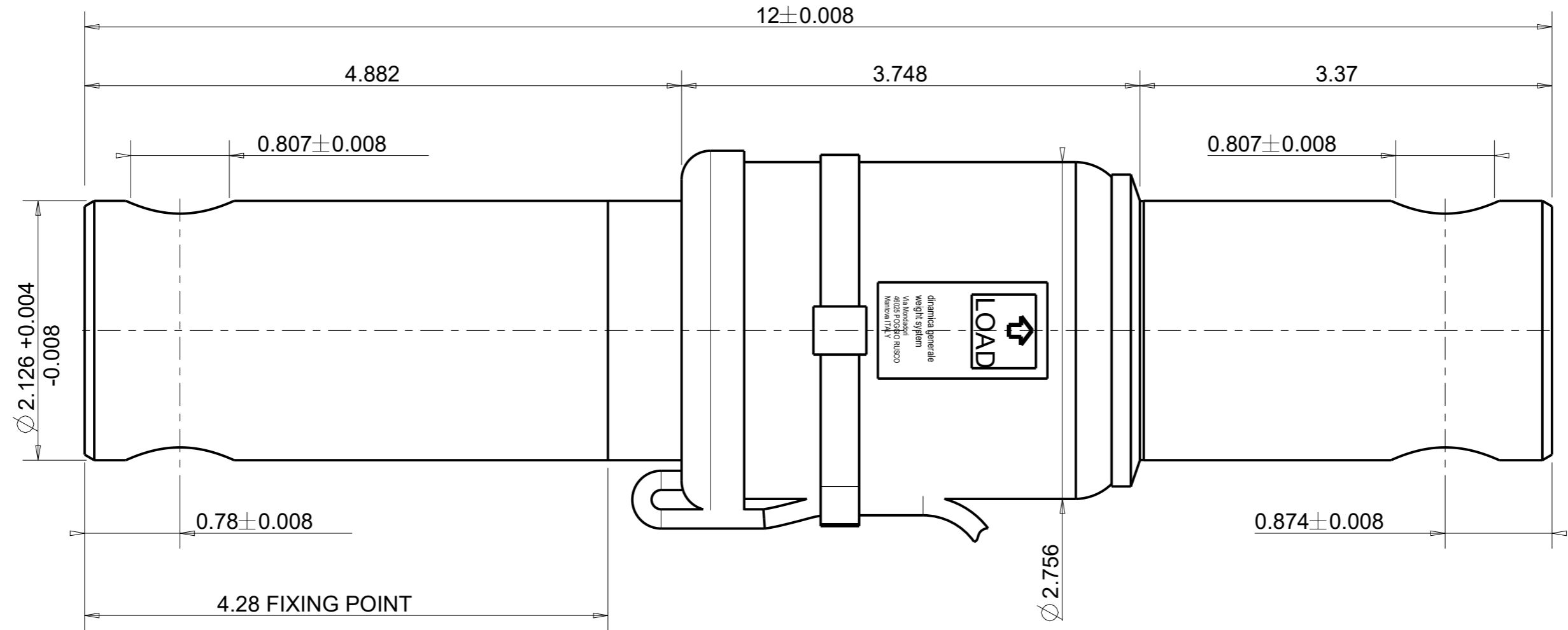
SPECIFICATIONS	STATIC	MOBILE
RATED LOAD (LBS)	9921	6614
RATED LOAD (Kg)	4500	3000
RATED OUTPUT (mV/V)	0.496	0.331

PART CODE	CABLE LENGTH		CABLE TERMINATION
	FT	m	
969-0298	21.3	6.5	ECP

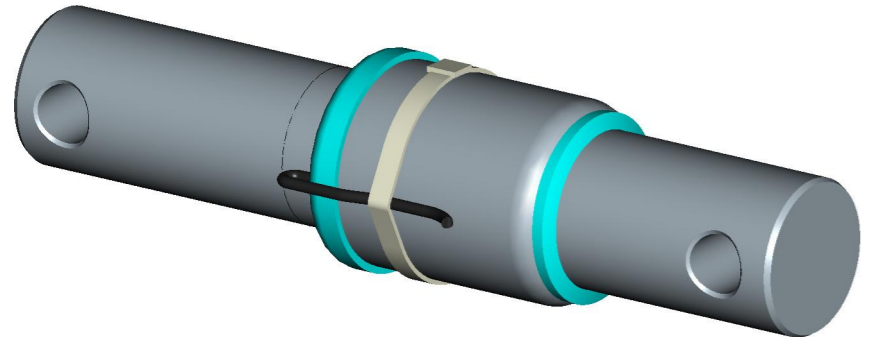
D	A3	09/05/17	M.B.	Sostituito codice cavo	 SCALE <b>A3</b>		
C	A2	04/11/16	M.B.	Agg. fdm 263_16			
B	A1	23/04/14	M.B.	Agg. tolleranze fdm 128/14			
A	A0	07/01/14	M.B.	Emissione disegno			
REV.	MOD.N.	DATE	SIGNATURE	DESCRIPTION	<b>1/1</b>		
 DINAMICA GENERALE Weight Systems				*DRAWN 07/01/2014 M.Bresciani	*CHECKED 07/01/2014 S.Bernardinello	*APPROVED 07/01/2014 M.Gilli	UNSPECIFIED TOLERANCES  $\pm 0.5$
				WEIGHT [kg] 5.267	*REFER TO ORIGINAL DRAWING IF SIGNATURE ARE PRINTED		ROUGHNESS
				DESCRIPTION Cella MOBILE DG18144/54-CD C=6.5m + ECP_DG			
				CODE <b>969-0298</b>	REV. <b>A3</b>	THE COPY OF THIS DRAWING MUST BE APPROVED BY DINAMICA GENERALE	

This documents is for reference, dimensions are subject to change.  
 ALL RIGHTS OF THE PROJECT STRICTLY RESERVED TO DINAMICA GENERALE. REPRODUCTION OR ISSUE TO THIRD PARTIES IN ANY FORM WHATEVER IS, NOT PERMITTED WITHOUT WRITTEN AUTHORIZATION FROM DINAMICA GENERALE

**MEASURES EXPRESSED IN INCHES**



Bushing Diameter Tolerance  $\varnothing 2.126 +0.012/+0.016$



INPUT +	RED
INPUT -	BLACK
OUTPUT +	GREEN
OUTPUT -	WHITE

SPECIFICATIONS	STATIC	MOBILE
RATED LOAD (LBS)	9921	6614
RATED LOAD (Kg)	4500	3000
RATED OUTPUT (mV/V)	0.496	0.331

This documents is for reference, dimensions are subject to change.  
 ALL RIGHTS OF THE PROJECT STRICTLY RESERVED TO DINAMICA GENERALE. REPRODUCTION OR ISSUE TO THIRD PARTIES IN ANY FORM WHATEVER IS, NOT PERMITTED WITHOUT WRITTEN AUTHORIZATION FROM DINAMICA GENERALE

PART CODE	CABLE LENGHT		CABLE TERMINATION
	FT	m	
969-0298	21.3	6.5	ECP

D	A3	09/05/17	M.B.	Sostituito codice cavo	 SCALE <b>A3</b>
C	A2	04/11/16	M.B.	Agg. fdm 263_16	
B	A1	23/04/14	M.B.	Agg. tolleranze fdm 128/14	
A	A0	07/01/14	M.B.	Emissione disegno	
REV.	MOD.N.	DATE	SIGNATURE	DESCRIPTION	1/1
 DINAMICA GENERALE Weight Systems				*DRAWN: 07/01/2014 *CHECKED: 07/01/2014 *APPROVED: 07/01/2014	UNSPECIFIED TOLERANCES $\pm 0.02$
46025 Poggio Rusco (MN) Via Mondadori, 15 Tel. ++39 0386.52134 Fax ++39 0386.51523				SIGNATURE: M.Bresciani, S.Bernardinello, M.Gilli WEIGHT [lb]: 11.637 *REFER TO ORIGINAL DRAWING IF SIGNATURE ARE PRINTED	ROUGHNESS
DESCRIPTION: Cella MOBILE DG18144/54-CD C=6.5m + ECP_DG					
CODE: 969-0298			REV. A3	THE COPY OF THIS DRAWING MUST BE APPROVED BY DINAMICA GENERALE	