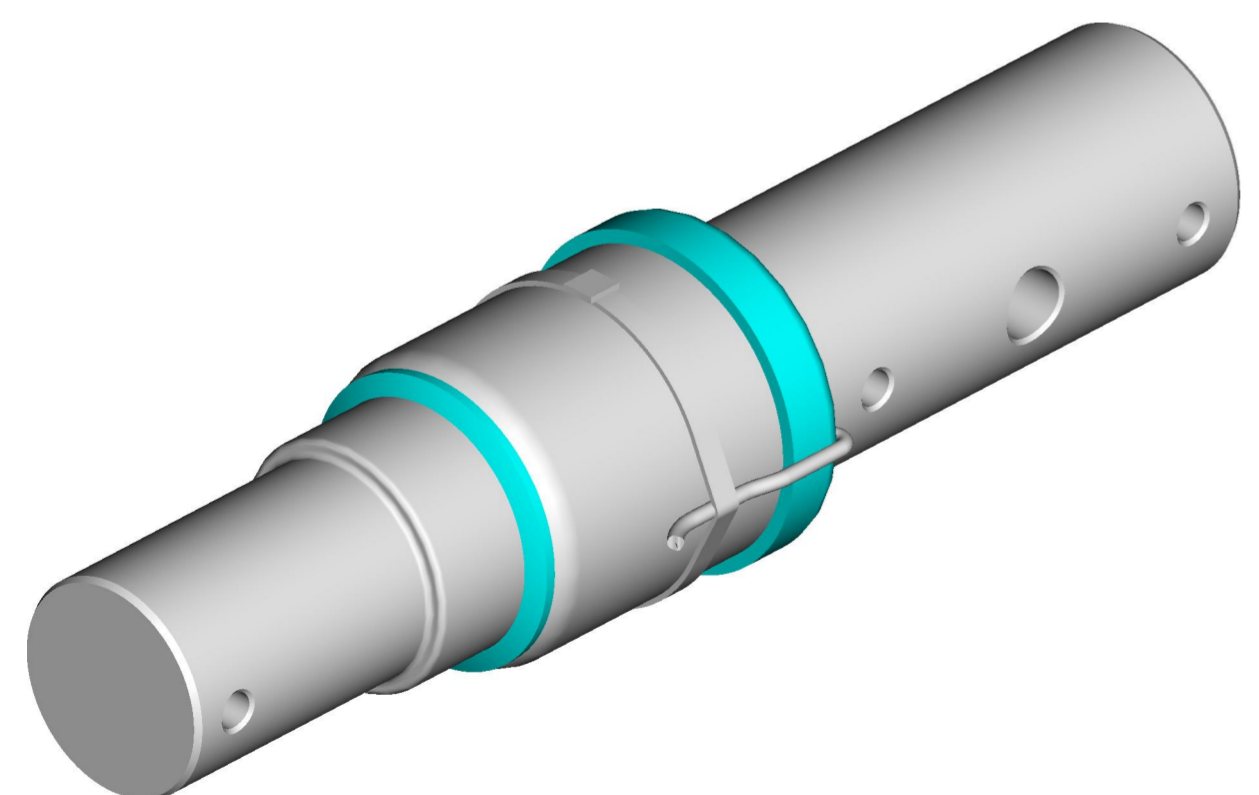


Bushing Tolerance
 $\phi 73 +0.2/+0.3$



This documents is for reference, dimensions are subject to change.

ALL RIGHTS OF THE PROJECT STRICTLY RESERVED TO DINAMICA GENERALE. REPRODUCTION OR ISSUE TO THIRD PARTIES IN ANY FORM WHATEVER IS, NOT PERMITTED WITHOUT WRITTEN AUTHORIZATION FROM DINAMICA GENERALE

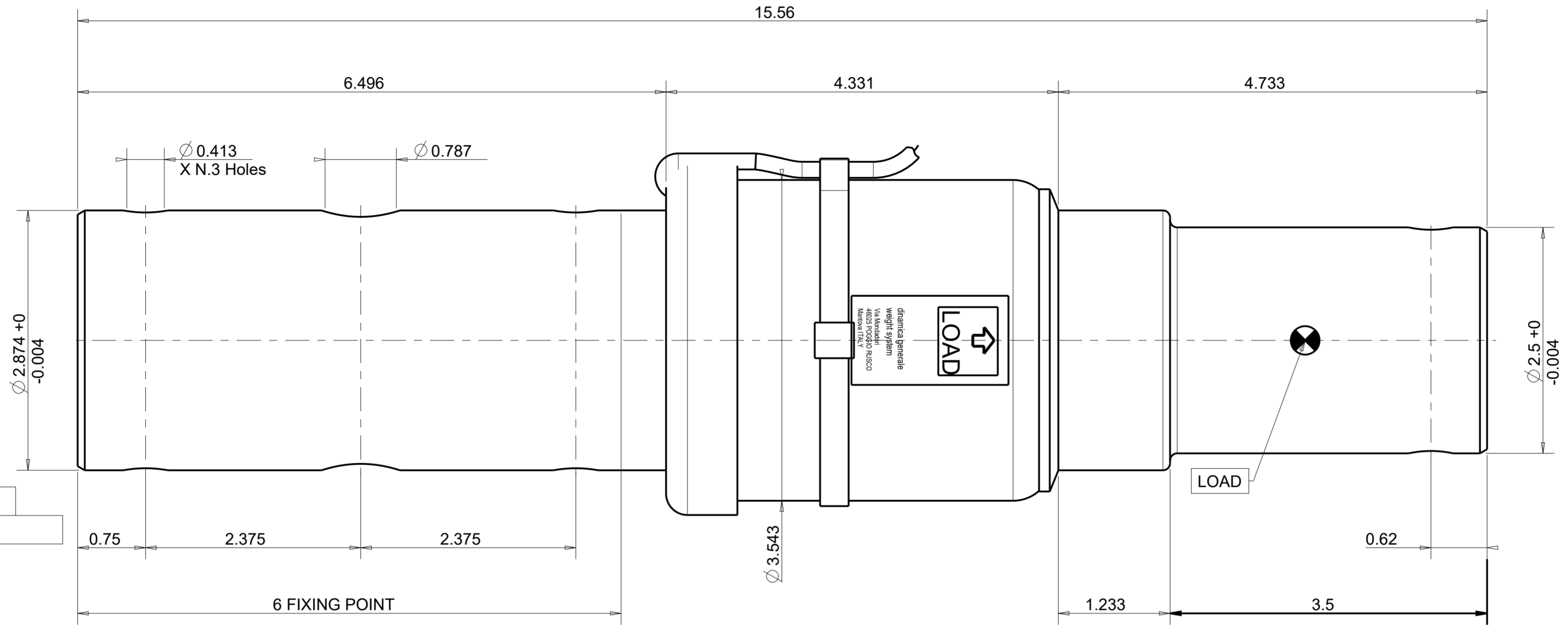
INPUT +	RED
INPUT -	BLACK
OUTPUT +	GREEN
OUTPUT -	WHITE

SPECIFICATIONS	MOBILE
RATED LOAD (LBS)	15432
RATED LOAD (Kg)	7000
RATED OUTPUT (mV/V)	0.67

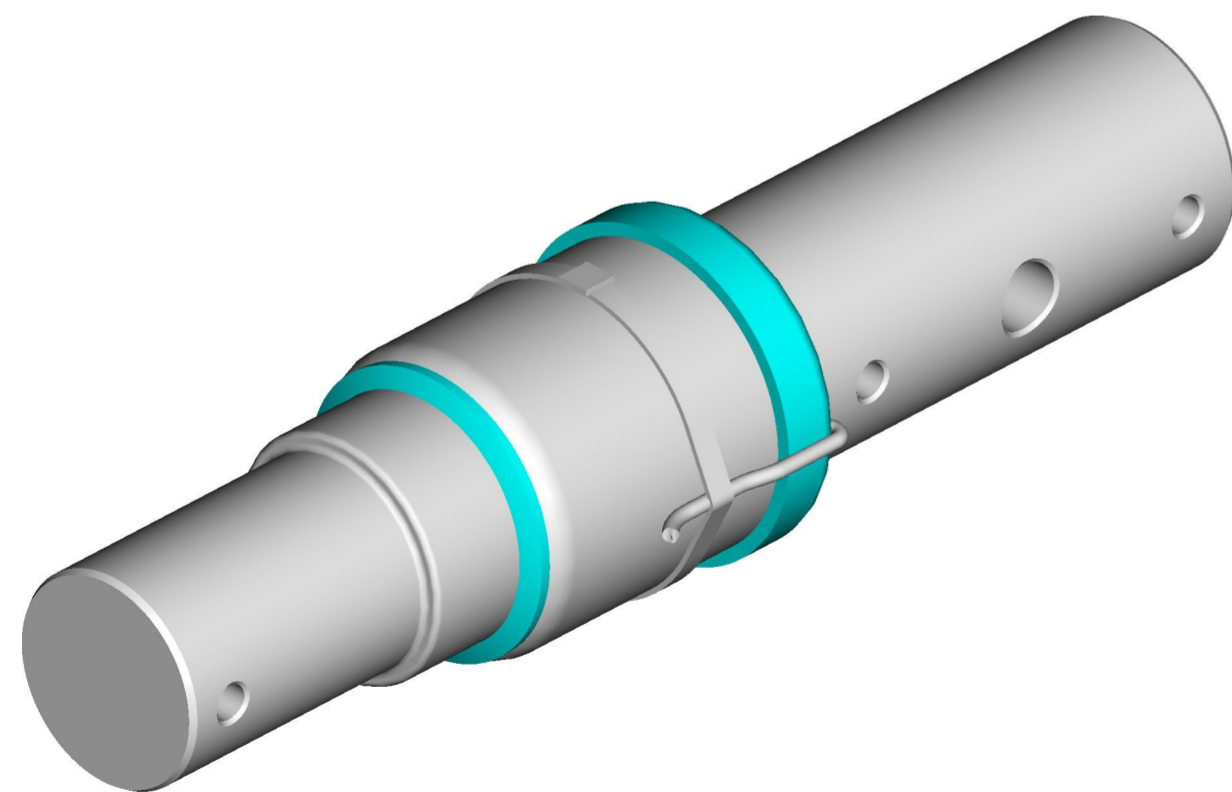
PART CODE	CABLE LENGHT		CABLE TERMINATION
	FT	m	
969-0384	30.2	9.2	SPM

C	A1	30/05/17	M.B.	Agg. fdm 146/17	SCALE 1/1	A2									
B	A0	07/07/16	M.B.	Emissione disegno											
REV.	MOD.N.	DATE	SIGNATURE	DESCRIPTION	UNSPECIFIED TOLLERANCES ± 0.5										
				<table border="1"> <tr> <td>*DRAWN</td> <td>*CHECKED</td> <td>*APPROVED</td> </tr> <tr> <td>DATE 07/07/2016</td> <td>07/07/2016</td> <td>07/07/2016</td> </tr> <tr> <td>SIGNATURE M.Bresciani</td> <td>A.Barbi</td> <td>M.Gilli</td> </tr> </table>	*DRAWN	*CHECKED	*APPROVED	DATE 07/07/2016	07/07/2016	07/07/2016	SIGNATURE M.Bresciani	A.Barbi	M.Gilli	ROUGHNESS *REFER TO ORIGINAL DRAWING IF SIGNATURE ARE PRINTED	
*DRAWN	*CHECKED	*APPROVED													
DATE 07/07/2016	07/07/2016	07/07/2016													
SIGNATURE M.Bresciani	A.Barbi	M.Gilli													
46025 Poggio Rusco (MN) Via Mondadori, 15 Tel. ++39 0386.52134 Fax ++39 0386.51523				DESCRIPTION Cella MOBILE DG20879/73-GH C=9m + SPM_DG	CODE 969-0384										
				REV. A1	THE COPY OF THIS DRAWING MUST BE APPROVED BY DINAMICA GENERALE										

MEASURES EXPRESSED IN INCHES



Bushing Tolerance
 $\phi 2.874 +0.008/+0.012$



This documents is for reference,
 dimensions are subject to change.

ALL RIGHTS OF THE PROJECT STRICTLY
 RESERVED TO DINAMICA GENERALE.
 REPRODUCTION OR ISSUE TO THIRD
 PARTIES IN ANY FORM WHATEVER IS,
 NOT PERMITTED WITHOUT WRITTEN
 AUTHORIZATION FROM DINAMICA GENERALE

INPUT +	RED
INPUT -	BLACK
OUTPUT +	GREEN
OUTPUT -	WHITE

SPECIFICATIONS	MOBILE
RATED LOAD (LBS)	15432
RATED LOAD (Kg)	7000
RATED OUTPUT (mV/V)	0.67

PART CODE	CABLE LENGHT		CABLE TERMINATION
	FT	m	
969-0384	30.2	9.2	SPM

C	A1	30/05/17	M.B.	Agg. fdm 146/17	SCALE 1/1	A2
B	A0	07/07/16	M.B.	Emissione disegno		
REV.	MOD.N.	DATE	SIGNATURE	DESCRIPTION	UNSPECIFIED TOLLERANCES ± 0.02	
				*DRAWN: 07/07/2016 *CHECKED: 07/07/2016 *APPROVED: 07/07/2016 SIGNATURE: M.Bresciani, A.Barbi, M.Gilli	ROUGHNESS *REFER TO ORIGINAL DRAWING IF SIGNATURE ARE PRINTED	
46025 Poggio Rusco (MN) Via Mondadori, 15 Tel. ++39 0386.52134 Fax ++39 0386.51523				DESCRIPTION Cella MOBILE DG20879/73-GH C=9m + SPM_DG	CODE 969-0384	REV. A1
THE COPY OF THIS DRAWING MUST BE APPROVED BY DINAMICA GENERALE						