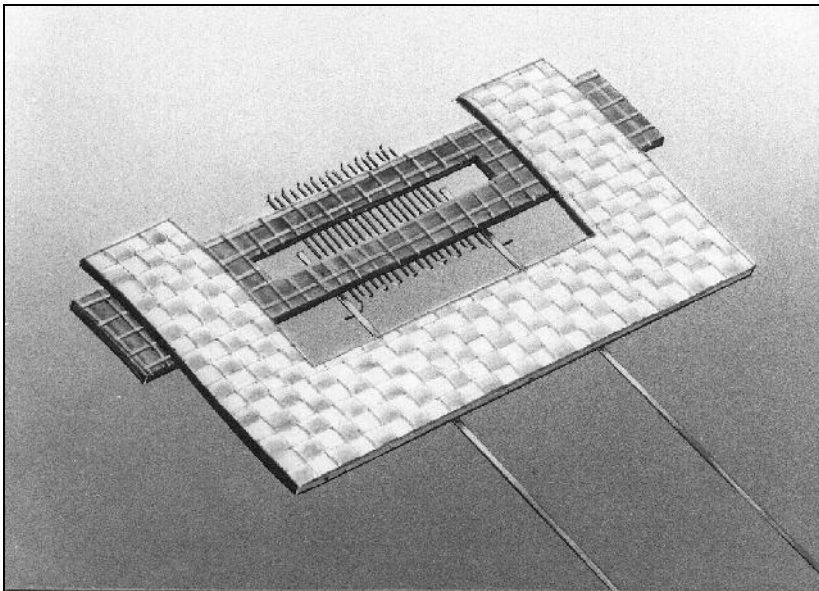


HITEC

High Temperature
Free Filament Gages



HF-Series free filament strain gages are the result of 30 years of elevated temperature strain gage installation experience. Free Filament gages are suitable for dynamic and static stress measurement. Also can easily be used on carbon composites.

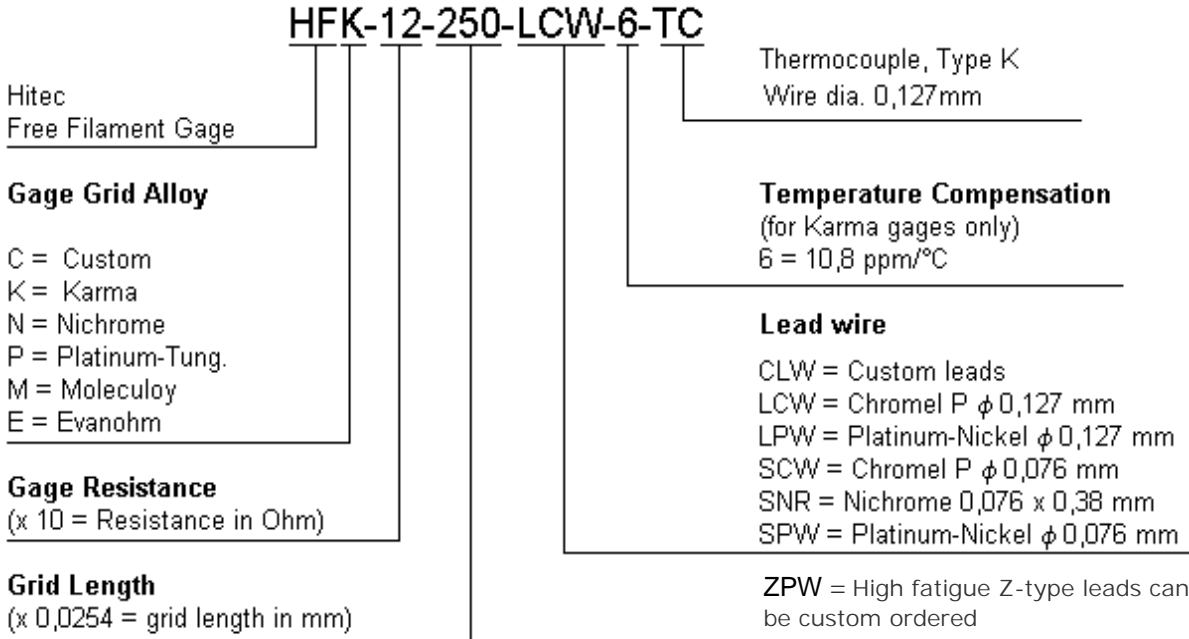
Typical applications are measurement on:

- Gas turbines
- Exhausts of cars and trucks
- Compressor blades
- Safety of piping in power plants
- Research in nuclear reactors

Features:

- Temperature range up to 1038°C
- Grid length 0,7 to 6,35 mm
- Resistance 100, 120, 200 and 350 Ohm
- Custom configurations
- Flame spray or ceramic cement application
- Can be used on carbon composites
- Integral Thermocouple Type K, optionally available

Designation Code



* "No shelf life" version with flat grid available.

HITEC FREE FILAMENT STRAIN GAGES



RoHS
COMPLIANT

GAGE TYPE	GRID LENGTH inches/mm	GRID WIDTH inches/mm	RESISTANCE OHMS	GRID-MATERIAL	GAGE FACTOR NOMINAL	MAX. TEMP. RANGE °C	SELF TEMP. COMPENSATION
HFK-12-125-SCW-6	0.125/3.18	0.078/2.00	120 ± 2.5	Karma	2.2	-268 to +350	Yes
HFK-12-125-SCW-6-TC	0.125/3.18	0.078/2.00	120 ± 2.5	Karma	2.2	-268 to +350	Yes
HFK-12-250-LCW-6	0.250/6.35	0.093/2.36	120 ± 2.5	Karma	2.2	-268 to +350	Yes
HFK-12-250-LCW-6-TC	0.250/6.35	0.093/2.36	120 ± 2.5	Karma	2.2	-268 to +350	Yes
HFK-35-250-LCW-6	0.250/6.35	0.328/8.33	350 ± 5	Karma	2.2	-268 to +350	Yes
HFK-35-250-LCW-6-TC	0.250/6.35	0.328/8.33	350 ± 5	Karma	2.2	-268 to +350	Yes
HFN-06-030-SCW	0.030/0.76	0.041/1.04	60 ± 2	Nichrome	1.7	-268 to +871	No
HFN-12-063-SCW	0.063/1.60	0.090/2.29	120 ± 2	Nichrome	2.0	-268 to +871	No
HFN-12-125-SCW	0.125/3.18	0.062/1.57	120 ± 2.5	Nichrome	2.2	-268 to +871	No
HFN-35-125-SCW	0.125/3.18	0.200/5.08	350 ± 5.0	Nichrome	2.2	-268 to +871	No
HFN-12-250-LCW	0.250/6.35	0.093/2.36	120 ± 2.5	Nichrome	2.2	-268 to +871	No
HFN-12-250-LCW-TC	0.250/6.35	0.093/2.63	120 ± 2.5	Nichrome	2.2	-268 to +871	No
HFN-35-250-LCW	0.250/6.35	0.218/5.54	350 ± 5	Nichrome	2.2	-268 to +871	No
HFN-35-250-LCW-TC	0.250/6.35	0.218/5.54	350 ± 5	Nichrome	2.2	-268 to +871	No
HFP-12-063-SPW	0.063/1.68	0.060/1.52	120 ± 2	Plat-Tung	4.0	-268 to +1038	No
HFP-12-125-SPW	0.125/3.18	0.062/1.57	120 ± 2.5	Plat-Tung	4.0	-268 to +1038	No
HFP-12-250-SPW	0.250/6.35	0.093/2.36	120 ± 2.5	Plat-Tung	4.0	-268 to +1038	No
HFP-12-250-SPW-TC	0.250/6.35	0.093/2.36	120 ± 2.5	Plat-Tung	4.0	-268 to +1038	No
HFP-35-125-SPW	0.125/3.18	0.150/3.81	350 ± 5	Plat-Tung	4.0	-268 to +1038	No
HFP-35-250-SPW	0.250/6.35	0.187/4.75	350 ± 5	Plat-Tung	4.0	-268 to +1038	No
HFP-35-250-SPW-TC	0.250/6.35	0.187/4.75	350 ± 5	Plat-Tung	4.0	-268 to +1038	No
HFM-10-063-SCW	0.080/2.00	0.080/2.00	100 ± 10	Moleculoy	2.4	-268 to +871	No
HFM-20-125-SCW	0.125/3.18	0.180/4.57	200 ± 20	Moleculoy	2.4	-268 to +871	No
HFM-10-063-SCW (Flat Grid)	0.080/2.00	0.080/2.00	100 ± 10	Moleculoy	2.4	-268 to +871	No
HFM-20-125-SCW (Flat Grid)	0.125/3.18	0.180/4.57	200 ± 6	Moleculoy	2.4	-268 to +871	No

©1993 Hitec Products, Inc.

Vishay Measurements Group GmbH, Tatschenweg 1 DE-74078 Heilbronn Fon: (+49) 7131 39099-0 Fax: (+49) 7131 39099-229 Email: mm.de@vishaypg.com Internet: www.vishaypg.com