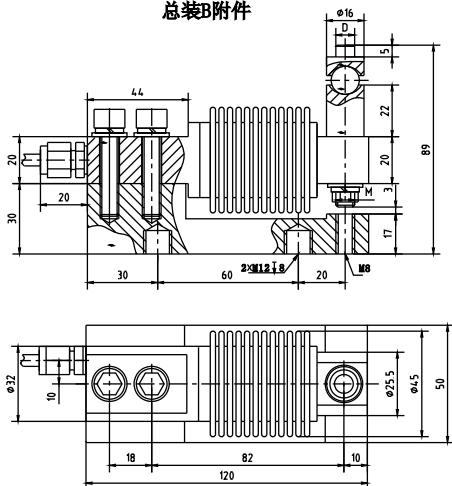
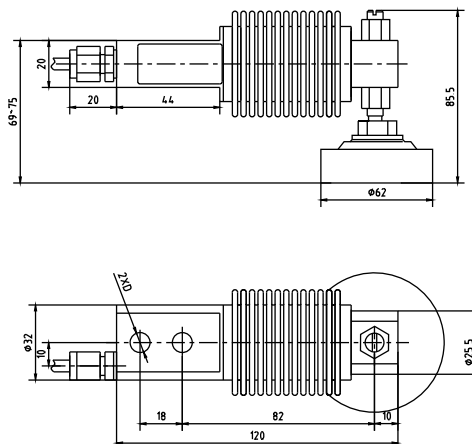


总装B附件



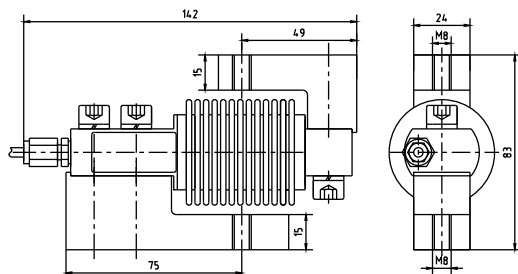
量程 (kg)	D	M
5,10,20,30,40	∅8	M8
50,75,100,150,200,250	∅10	M10

总装E附件



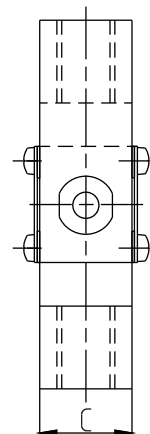
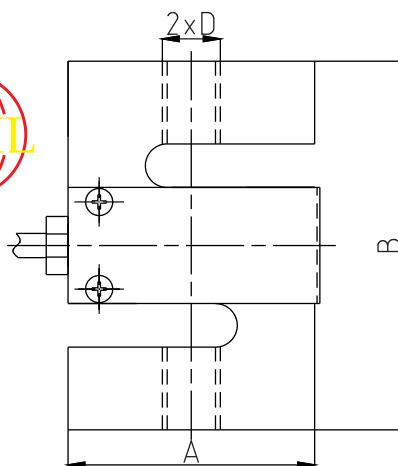
量程 (Kg)	尺寸 (mm)	D
5,10,20,30,40	∅6.2	
50,75,100,150,200,250	∅10.2	

总装C附件



DEE/DEF Load cell

DEE/DEF



额定载荷	A	B	C	D
50~750kg	51	76.2	19.1	M12
1t	51	76.2	25.4	M12
1.5~5t	76.2	100.4	31.8	M20x15

吊钩秤、皮带秤、配料系统
Crane scale, belt scale, blending system

TECHNICAL PARAMETER

4Wires: Exc+(红, Red); Exc-(黑, Black); Sig+(绿, Green); Sig-(白, White)

额定载荷 Rated load	50,100,150,200,250,300,500,750kg, 1t, 1.5t, 2t, 3t, 5t, 7.5t	输出阻抗 Output resistance	352 ± 5 Ω
精度等级 Accuracy class	0.03	绝缘电阻 Insulation resistance	≥ 5000 MΩ
灵敏度 Sensitivity	2.0 ± 0.003mV/V (DEE) 3.0 ± 0.003mV/V (DEF)	额定温度 Nominal Temp Range	-10~+40℃
线性误差 Non-linearity	± 0.03% F.S	工作温度范围 Service Temp Range	-30~+70℃
滞后误差 Hysteresis error	± 0.03% F.S	安全负载 Safe load limit	150% F.S
蠕变 (30分钟) Creep (30min)	± 0.03% F.S	破坏负载 Breaking load	200% F.S
零点温度影响 TC ZERO	± 0.02% F.S/10℃	额定激励电压 Nominal of range excitation	10~12 V DC
灵敏度温度影响 TC SPAN	± 0.02% F.S/10℃	密封等级 Protection Class	IP66(50kg-1t), IP67(1.5t-5t)
输入阻抗 Input resistance	400 ± 20 Ω (1.5t-5t)	材料 Material	合金钢 Alloy Steel, 不锈钢 Stainless steel
		电缆 Cable	Length=3m