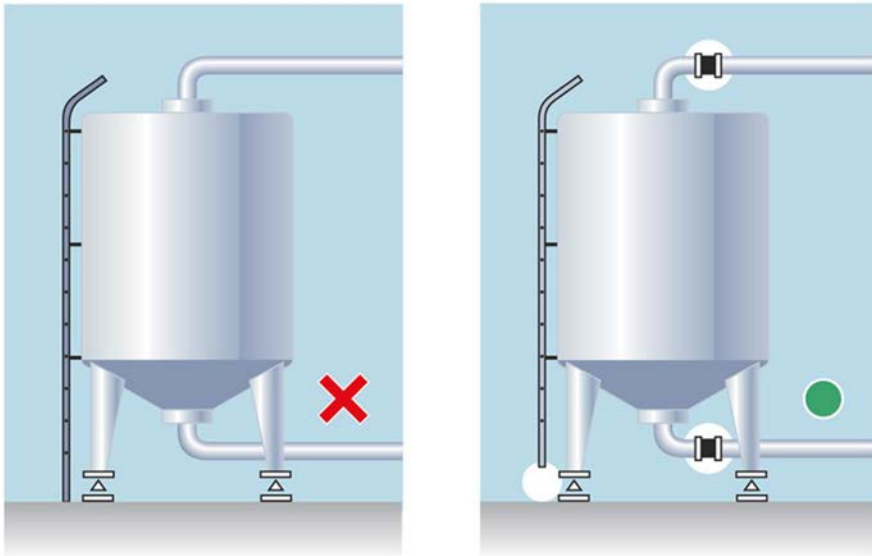
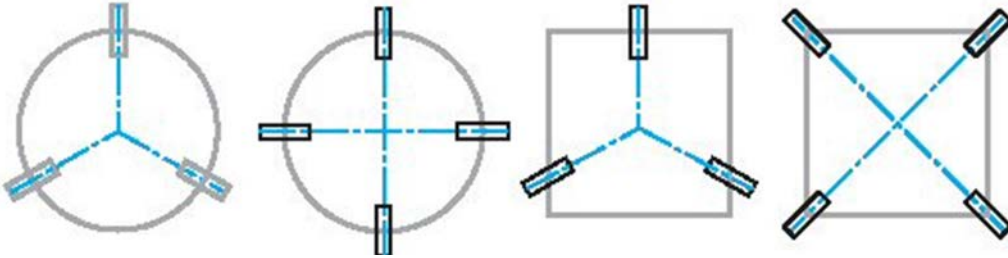
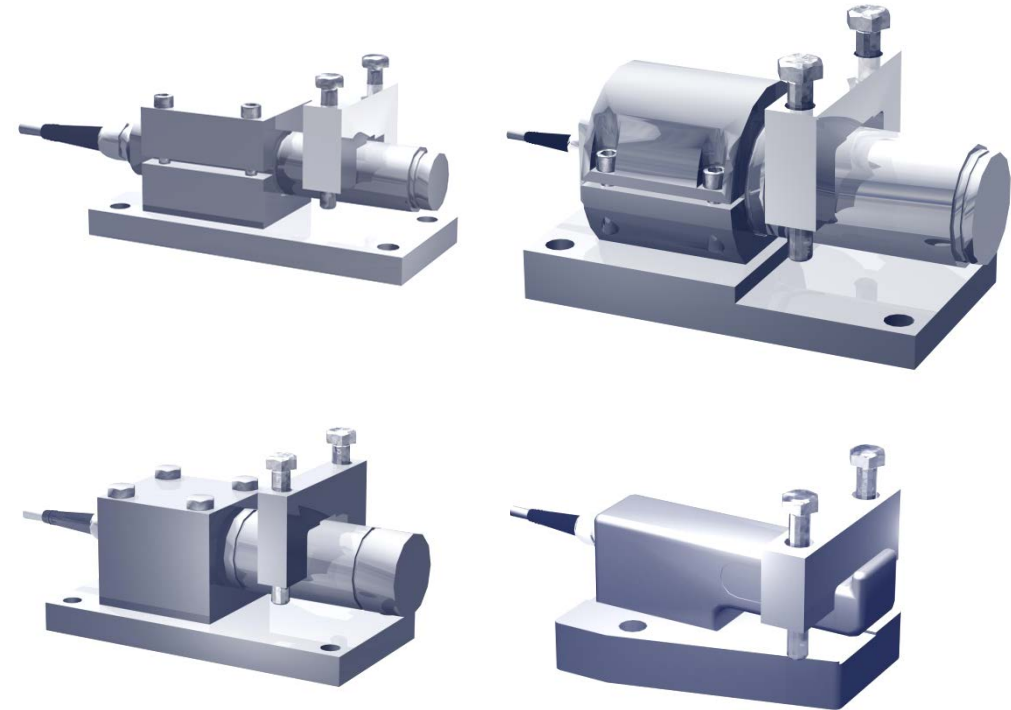


Example of LOAD MODULE orientation



To achieve good weighing results, always use flexible connections to the vessel and check that no ladders or other arrangements connect the weighed vessel to surrounding foundation, walls or roof.

Advices for mounting KIS 1-2-3-8-9-11 and KIM-1



Vishay Nobel AB

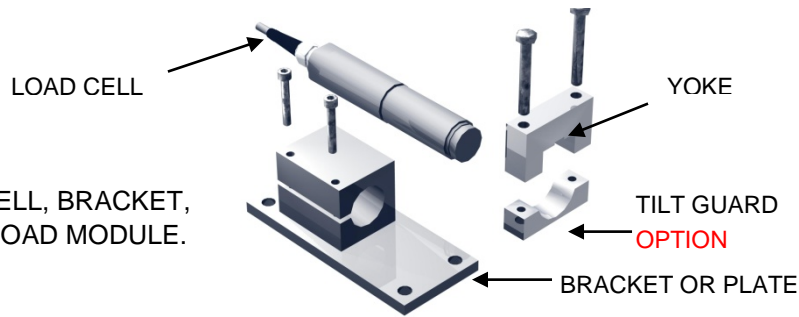
Box 423, SE-691 27 Karlskoga, Sweden
Phone +46 586 63000, Fax +46 586 63099
e-mail: pw.se@vishaypg.com
www.weighingsolutions.com

Document no. 35125
Publication 850 204 R2
© Vishay Nobel AB, 2010-07-28
Subject to changes without notice.



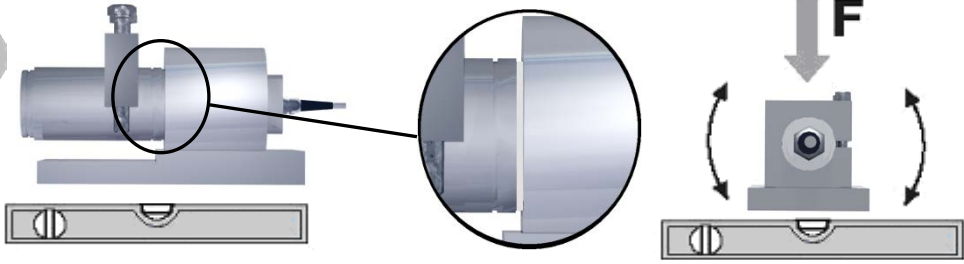
1

Standard LOAD MODULE parts



Assemble LOAD CELL, BRACKET, and YOKE to one LOAD MODULE.

2

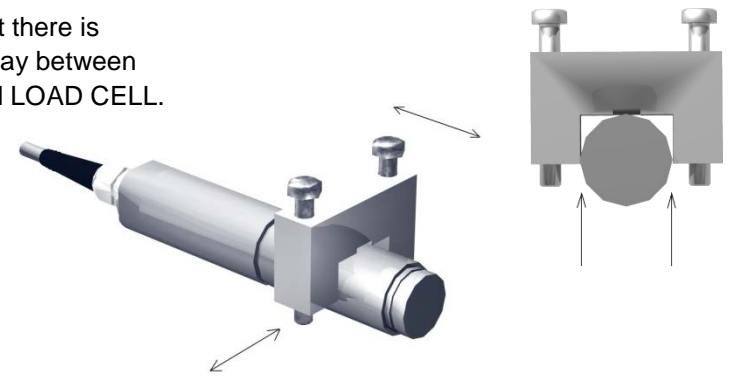


Level the LOAD MODULE within $\pm 1^\circ$ in both directions. Control that the load cell silicone protection is aligned with bracket front (KIS-1-2-3-11).

Adjust the measuring direction of the LOAD CELL (KIS-1-2-3-11)

5

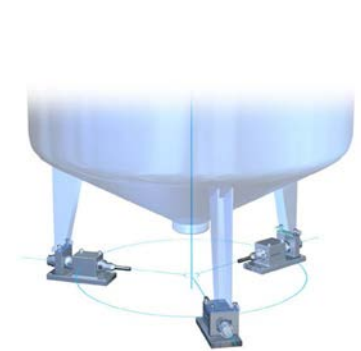
Check that there is a lateral play between YOKE and LOAD CELL.



6

Attach YOKES under the vessel supports and position the vessel on the LOAD MODULES. Observe that the bedding should be horizontal.

Mark the hole pattern and drill. Mount the bolts; re-position the LOAD MODULES and the vessel.



3

Recommended loading point, check measure "x".



KIS 1-2-3 -11		KIS-8		KIM-1		KIS-9	
X (mm)		X (mm)		X (mm)		X (mm)	
1 kN	35	1 kN	31				
2 kN	35	2 kN	31				
5 kN	35	5 kN	50			5 kN	23
10 kN	55	10 kN	50			10 kN	23
20 kN	55	20 kN	50			20 kN	23
30 kN	55						
50 kN	65	50 kN	65			50 kN	33
100 kN	65	100 kN	65			100 kN	42
200 kN	65	200 kN	65	200 kN	60		
300 kN	65						

KIS-9

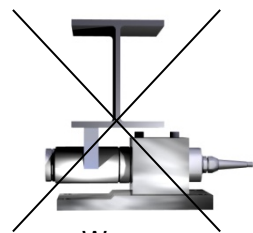
7

Check again the measure "x" between BRACKET and YOKE, and that the lateral play between YOKE and LOAD CELL is preserved. See point 3 and 4.

For installations with four LOAD MODULES or more, the LOAD CELL output signals should be checked. Add shims between vessel support and YOKE to achieve similar signal levels.

4

Observe loading point position relative surrounding mechanical construction. It is very important that this is strong and must be rigid enough.



Wrong



Correct

8

Important notices:

IMPORTANT! WHEN DELIVERED THE MODULES ARE ONLY MOUNTED FOR TRANSPORTATION!

Tighten all bolts and nuts according to engineering standards.

Do not perform any welding with the LOAD MODULE in place.