

Dimension Capacity	A	B	C	H	K	J
10/15/22t	75	30	75	50	7	6.5
33t	95	40	95	65	7	10
47t	130	60	130	75	7	14
68t	130	60	130	85	7	14

Dimension Capacity	A	B	C	H	K	J
100t	150	70	150	90	7	16
150t	150	70	150	100	7	16
220t	225	100	225	130	10	24
330t	225	100	225	145	10	24
470t	270	100	270	170	10	28

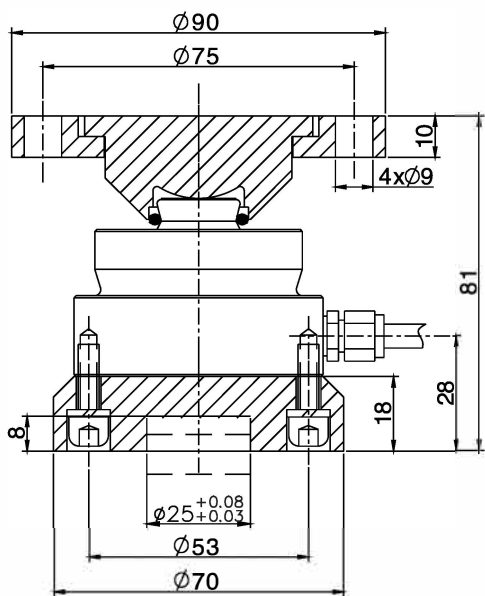


轴重秤、料斗秤、仓储秤、罐体秤
Axle-load scale, hopper scale, warehouse scale, silo scale

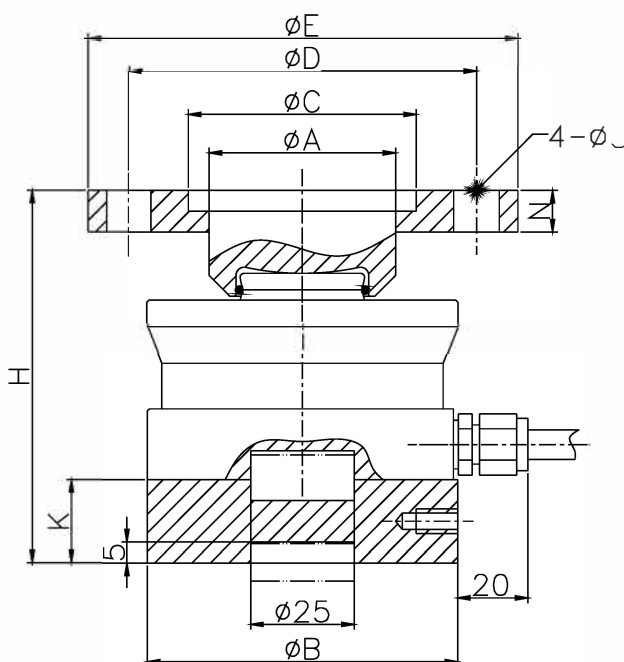
TECHNICAL PARAMETER

额定载荷 Rated load	1,2,2,3,3,4,7,10,15,22,33,47,68,100,150,220,330,470t	绝缘电阻 Insulation resistance	≥5000 MΩ
精度等级 Accuracy class	0.1(1~150t) 0.3(220~470t)	额定温度 Nominal Temp Range	-10~+40℃
灵敏度 Sensitivity	2.85 ± 0.015mV/V	工作温度范围 Service Temp Range	-30~+70℃
线性误差 Non-linearity	± 0.1%F.S(1~150t) ± 0.3%F.S(220~470t)	安全负载 Safe load limit	150%F.S
滞后误差 Hysteresis error	± 0.05%F.S(1~150t)	破坏负载 Breaking load	200%F.S
蠕变 (30分钟) Creep(30min)	± 0.03%F.S	额定激励电压 Nominal of range excitation	10~12 V DC
零点温度影响 TC ZERO	± 0.02%F.S/10℃	密封等级 Protection Class	Ip67
灵敏度温度影响 TC SPAN	± 0.03%F.S/10℃	材料 Material	合金钢 Alloy Steel
输入阻抗 Input resistance	1450 ± 10Ω	电缆 Cable	Length:8m(1~4.7t) 12m(10~33t) 16m(68~470t)
输出阻抗 Output resistance	1405 ± 5Ω		

NHS-A1~4.7t 总装B



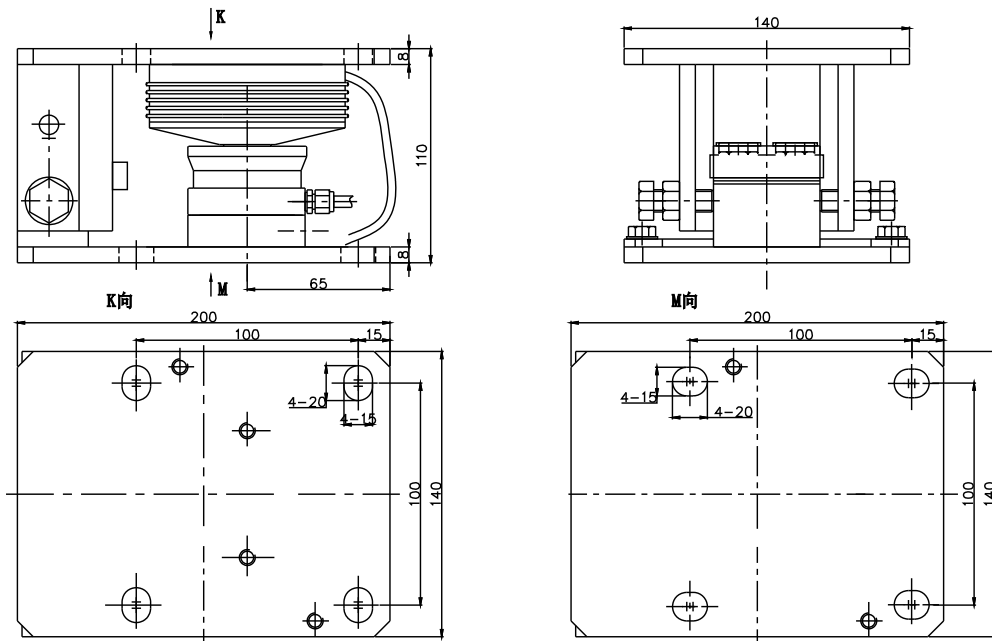
NHS-A10~470t 总装B



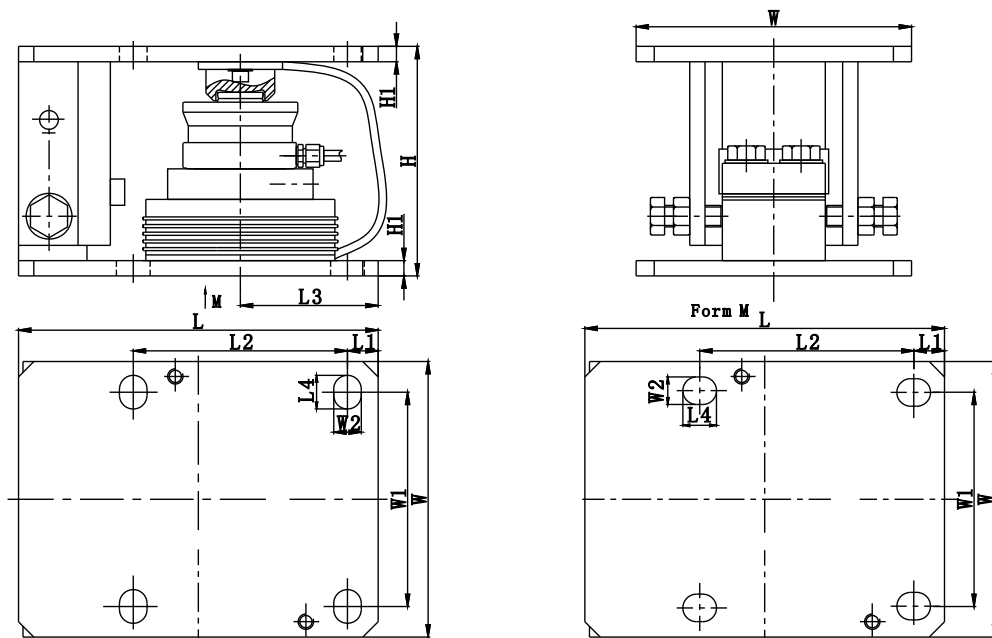
Dimension Capacity	A	B	C	D	E	H	K	J	N
10~22t	45	75	55	80	100	95	20	11.5	10
33t	58	95	68	95	120	120	25	13	12
47t	80	130	92	130	170	140	30	17.5	20
68t	80	130	92	130	170	150	30	17.5	20

Dimension Capacity	A	B	C	D	E	H	K	J	N
100t	100	150	110	150	200	177	40	25	22
150t	100	150	110	150	200	187	40	25	22
220t	160	225	170	250	320	235	40	25	30
330t	160	225	170	250	320	250	40	25	30
470t	160	270	170	220	280	325	80	21.4	30

NHS-A1~4.7t 总装C



NHS-A10t~150t 总装C



Dimension Capacity	L	L1	L2	L3	L4	W	W1	W2	H	H1
10~22t	235	20	140	90	22	180	140	18	150	8
33t	340	35	200	135	26	250	200	22	192	12
47t	380	45	230	150	30	280	230	26	230	20
68t	380	45	230	150	30	280	230	26	240	20
100t	410	35	245	155	30	310	245	26	300	30
150t	410	35	245	155	30	310	245	26	310	30