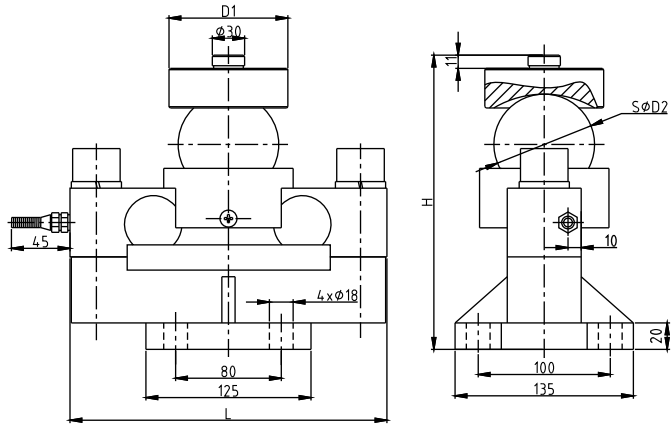




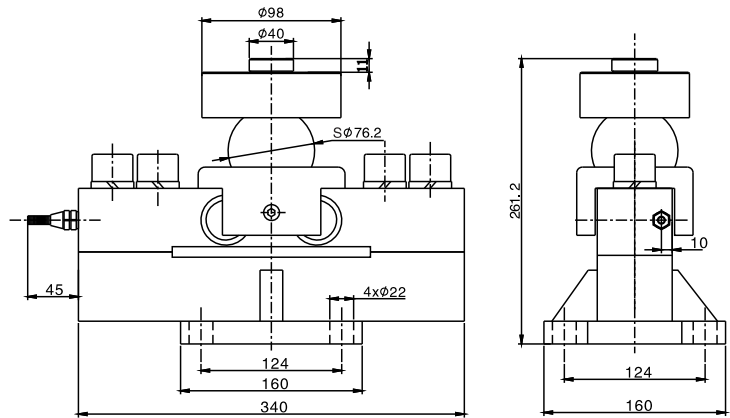
5~40t



| 额定载荷(t) Rated Load | 5 | 10、15、20、 25、30 | 40 |
|-----------------------|-------|--------------------|-------|
| D1 | 68 | 85~88 | 88 |
| D2 | 50.8 | 76.2 | 76.2 |
| H | 168.8 | 224.7 | 230.7 |
| L | 224 | 240 | 240 |



50t



汽车衡、轨道衡、配料秤及各种专用衡器
Truck scale, railway scale, blending scale and special scale

TECHNICAL PARAMETER

4Wires:Exc+(红,Red);Exc-(黑,Black);Sig+(绿,Green);Sig-(白,White)

| | | | |
|---------------------------|--------------------------------|-----------------------------------|--|
| 额定载荷Rated load | 5t、10t、15t、20t、25t、30t、40t、50t | 额定温度 Nominal Temp Range | -10~+40℃ |
| 精度等级 Accuracy class | C2~C3 | 工作温度范围Service Temp Range | -30~+70℃ |
| 灵敏度Sensitivity | 2.0 ± 0.002mV/V | 安全负载Safe load limit | 150%F.S |
| 线性误差 Non-linearity | ± 0.03%F.S | 破坏负载Breaking load | 250%F.S |
| 滞后误差 Hysteresis error | ± 0.03%F.S | 额定激励电压Nominal of range excitation | 10~12 V DC |
| 蠕变 (30分钟) Creep(30min) | ± 0.02%F.S | 密封等级Protection Class | IP67 |
| 零点温度影响TC ZERO | ± 0.02%F.S/10℃ | 材料Material | 合金钢 Alloy Steel |
| 灵敏度温度影响TC SPAN | ± 0.02%F.S/10℃ | | 不锈钢 Stainless Steel |
| 输入阻抗Input resistance | 750 ± 10Ω | 电缆Cable | |
| 输出阻抗Output resistance | 702 ± 3Ω | Length: | 5t 10t 15t 20t 25t 30t 40t 50t |
| 绝缘电阻Insulation resistance | ≥ 5000 MΩ | | 5.2m 4/8m 4/10m 4/10/12m 4/10/12m 12/16m 12/16m 4/12/16m |