

Double Ended Shear Beam

FEATURES

- Capacity 50 t, 100 t, 150 t and 200 t
- Other capacities on request
- Low profile
- High long-term stability and repeatability
- Operating temperature range -40 to $+150^{\circ}\text{C}$
- Connection through a connector
- 15 m special cable with connector for direct connecting to the load cell
- Zinc-plated steel
- 6-wire circuit (6 + 2 wires with option temperature monitoring)
- IP67
- **OPTIONS**

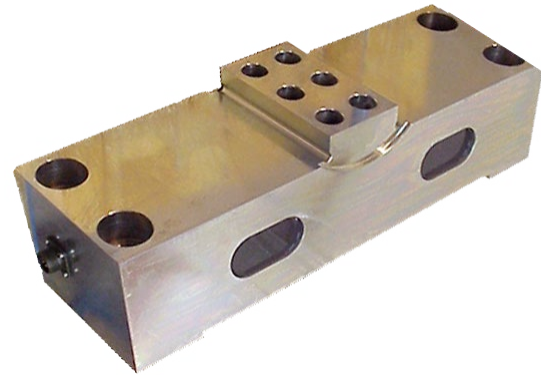
- Temperature monitoring via integrated temperature sensor (2-wire circuit)
- Indicator which changes the color if a too high temperature as reached

APPLICATIONS

- Silo and hopper weighing
- Tundish weighing
- Various applications in steel mills and foundries
- Industrial applications

DESCRIPTION

The model DSA-R is a low profile double shear beam load cell, ideally suited for applications in harsh environments.



Due to the special design, the DSA-R load cell is insensitive against side loading and other interfering effects.

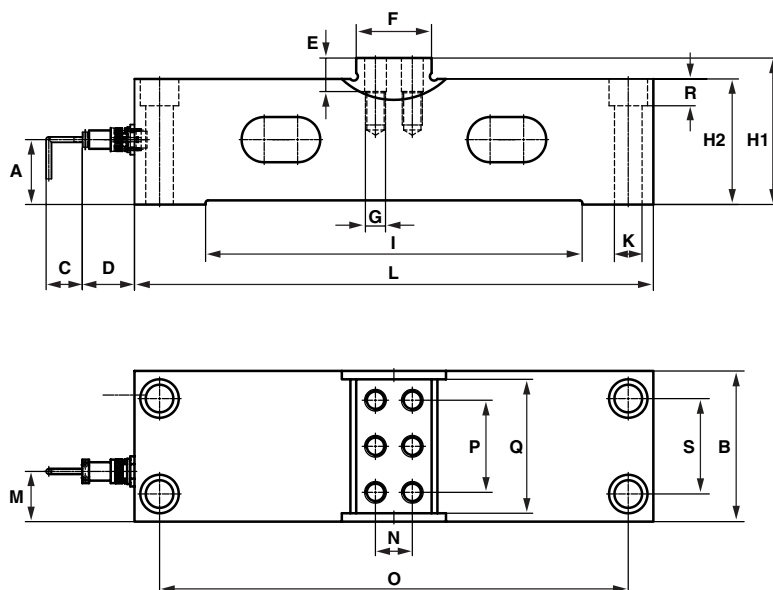
Because of the high operating temperature range of -40 up to $+150^{\circ}\text{C}$, the DSA-R load cell is suitable for use in steel mills and foundries.

Very easy to maintain—cable will be connected via plug-and-socket connection.

Due to the high repeatability and high long-term stability, the load cell supplies very good results, even after perennial use.

IP67 gives an excellent protection against dust and moisture.

OUTLINE DIMENSIONS IN MILLIMETERS



Dim.	50t	100t	150t	200t
A	45	54	66	75
B	120	140	160	180
C	≥ 40	≥ 40	≥ 40	≥ 40
D	120	120	120	120
E	32	38	38	40
F	80	90	90	90
G	M20x30	M24x36	M24x36	M24x40
H1	130	143	158	175
H2	105	118	133	150
I	340	370	410	450
K	26	30	33	33
L	450	500	560	620
M	57	62	69	76
N	40	44	44	44
O	398	444	500	560
P	75	90	102	110
Q	110	130	150	160
R	26	29	32	32
S	68	80	94	114

Double Ended Shear Beam

SPECIFICATIONS				
PARAMETER	VALUE			
Rated capacity (RC)	50 t	100 t	150 t	200 t
Rated output (C)	1.0 mV/V			
Total error	±0.1% of C			
Creeping (30 min)	±0.05% of C			
Temperature effect: on zero	±0.005% of C/°C			
Temperature effect: on output	±0.003% of C/°C			
Nominal temperature range	-10 to +100°C			
Operating temperature range	-40 to +150°C			
Storage temperature range	-50 to +180°C			
Safe overload	100% RC			
Ultimate overload	>350% RC			
Maximum admissible side load	100% RC			
Recommended excitation	10 VDC or VAC			
Maximym supply voltage	36 VDC or VAC			
Input impedance	750 Ω ±15 Ω			
Output impedance	700 Ω ±10 Ω			
Insulation impedance	>2000 MΩ			
Construction	steel, zinc-plated			
Weight	40 kg	56 kg	87 kg	119 kg
Environmental protection	IP67			

BLH Nobel is continually seeking to improve product quality and performance. Specifications may change accordingly.



Disclaimer

ALL PRODUCTS, PRODUCT SPECIFICATIONS AND DATA ARE SUBJECT TO CHANGE WITHOUT NOTICE.

Vishay Precision Group, Inc., its affiliates, agents, and employees, and all persons acting on its or their behalf (collectively, "VPG"), disclaim any and all liability for any errors, inaccuracies or incompleteness contained herein or in any other disclosure relating to any product.

The product specifications do not expand or otherwise modify VPG's terms and conditions of purchase, including but not limited to, the warranty expressed therein.

VPG makes no warranty, representation or guarantee other than as set forth in the terms and conditions of purchase. **To the maximum extent permitted by applicable law, VPG disclaims (i) any and all liability arising out of the application or use of any product, (ii) any and all liability, including without limitation special, consequential or incidental damages, and (iii) any and all implied warranties, including warranties of fitness for particular purpose, non-infringement and merchantability.**

Information provided in datasheets and/or specifications may vary from actual results in different applications and performance may vary over time. Statements regarding the suitability of products for certain types of applications are based on VPG's knowledge of typical requirements that are often placed on VPG products. It is the customer's responsibility to validate that a particular product with the properties described in the product specification is suitable for use in a particular application. You should ensure you have the current version of the relevant information by contacting VPG prior to performing installation or use of the product, such as on our website at vpgsensors.com.

No license, express, implied, or otherwise, to any intellectual property rights is granted by this document, or by any conduct of VPG.

The products shown herein are not designed for use in life-saving or life-sustaining applications unless otherwise expressly indicated. Customers using or selling VPG products not expressly indicated for use in such applications do so entirely at their own risk and agree to fully indemnify VPG for any damages arising or resulting from such use or sale. Please contact authorized VPG personnel to obtain written terms and conditions regarding products designed for such applications.

Product names and markings noted herein may be trademarks of their respective owners.

Copyright Vishay Precision Group, Inc., 2014. All rights reserved.