

S-Beams



STC, Low-Capacity, Alloy Steel Page 185

Ideally suited for batching and filling, conveyor and hopper/tank weighing. Nickel plated, high-alloy steel construction. Capacities from 50 to 200 lb (22.7 to 90.7 kg). Complete with 10' (3.1m) of load cell cable.



STC, Alloy Steel Page 186

Ideally suited for batching and filling and hopper/tank weighing. Nickel plated, alloy steel construction. Capacities from 250 to 40,000 lb (113.4 to 18,144 kg). Complete with 20' (6.1m) of load cell cable.



STC SS, Stainless Steel Page 187

The Celtron STC has been a popular industry S-beam for 79some time, and for the first time is available in a stainless steel version. This high-quality product is ideal for tension applications, and provides the additional protection of being manufactured from stainless. Capacities from 200 to 10,000 lb (90.7 to 4535.9 kg). Each unit is provided with a standard 20' (6.1m) cable.



HTC SS, Stainless Steel, Welded-seal Page 188

The Celtron HTC SS is the market's latest entry into the welded-seal S-beam market. It provides upgraded protection to the standard environmentally sealed S-beam, for dry but dirty suspended tank, hopper and mechanical replacement applications. An economical alternative to fully stainless, welded S-Beams the HTC SS provides a mid-range solution where none previously existed. Available in capacities ranging from 500 lb to 10,000 lb, the HTC SS is sure to get serious consideration for many projects. Each unit includes 20' of standard load cell cable.

NEW!

Single-Ended Beams



SQB, Alloy Steel Page 189

Single-ended beam designed for low-profile scales and platform, hopper and tank weighing applications. NTEP-certified cells in capacities from 1000 to 10,000 lb (453.6 to 4535.9 kg); Non-NTEP cells from 500 to 20,000 lb (226.8 to 9071.9 kg). Complete with 20' (6.1m) of load cell cable.



SQB-HSS, Page 190

The Celtron SQB-HSS stainless steel, welded seal single-ended beam is a precision load cell offering exceptional performance and reliability in hostile environment applications typical of food and chemical processing. Designed for single or multiple load cell installations, the SQB-HSS is provided with a threaded load hole for easy adaptation of mounting hardware or leveling feet typical of floor scales. Capacities from 1000 to 10,000 lb (453.6 to 4535.9 kg). Integral 20' (6.1m) cable.



NEW!

Single-Ended Beams (Continued)

MBB, Alloy Steel Page 191



Ultra-small load cell designed for bench, platform, tank and conveyor weighing applications. Nickel plated and environmentally protected with a stainless steel side plate. Capacities from 50 to 250 lb (22.7 to 113.4 kg). Complete with 3' (0.9m) of load cell cable.



SEB, Steel Page 192



The Celtron SEB is a single-ended beam designed for various scale and process weighing applications. This unit is manufactured from high-alloy steel that has been nickel plated to ensure an IP67 rating. The product is OIML approved and has metric envelope capacities ranging from 500 kg to 2.5t. Each unit is provided with a 20' of standard load cable to deliver an accurate yet economical package.



NEW!

HBB, Stainless Steel Page 193



The HBB is Celtron's version of the traditional design Bending Beam packaged with a welded stainless steel bellow to provide additional environmental protection. This economical alternative to traditional designs is ideal for low-profile platform scales, packaging machinery, mechanical conversions or most any general weighing application. Complete with NTEP certification, the HBB is available in capacities ranging from 10 kg to 250 kg and includes 20' of load cell cable.

NEW!

Double-Ended Beams

CSB, Alloy Steel Page 194



This double-ended beam with center loading is an optional replacement for many popular cells in the industry. Designed for truck, tank, and hopper applications. Capacities from 5000 to 150,000 lb (2268.0 to 68,040 kg). Complete with 30' (9.1m) of load cell cable.



DSR, Alloy Steel Page 195



Double-ended beam with center loading. Designed for tank, hopper and silo applications. Capacities from 1000 to 75,000 lb (453.6 to 34,019.5 kg). Complete with 25' (7.6m) load cell cable.



Double-Ended Beams (Continued)

CLB, Alloy Steel Page 196



The Celtron CLB is an alloy steel, nickel-plated, double-ended beam that is ideal for applications in truck, track, tank and hopper applications. This product is of the center-loaded design, and is compatible with both the MVS and TSA mounting assemblies. The price has recently been reduced, and it should be competitive with any similar load cell on the market today. Available in capacities from 20,000 to 125,000 lb (9071.9 to 56,699.1kg), with all units being provided with a 25' (7.6m) cable.



HED, Alloy Steel Page 197



This double-ended beam is intended for use in parallel link applications. The advantages to this method of loading is that the link design provides free movement in all horizontal directions with virtually no binding or friction points. This load cell is made of high-alloy steel that has been nickel plated, and is hermetically sealed to provide superior protection against the elements. Capacities range from 50,000 to 100,000 lb (22,679.6 to 45,359.2 kg). Each unit is provided with 40' (12.2m) of cable.



DLB, Alloy Steel Page 198



Designed for center mounting and double-link loading, the DLB is a high-accuracy solution for many weighing applications. This alloy steel, nickel-plated load cell is compatible with Unilink/Translink mounting configurations. Available in capacities from 25,000 to 125,000 lb (11,339.8 to 56,699.1 kg). Units are provided with a standard 25' (7.6m) cable.



Single Points

LPS, Aluminum Page 199



Designed for counting and bench weighing applications. Capacities from 3 to 100 kg (6.6 to 220.5 lb). Complete with 450mm (17.8") of load cell cable.



LOC, Aluminum Page 200



Low-profile, off-center loading load cell. Designed for direct mounting of a weighing platform, hanging scales, and other low-capacity beam applications. Long-term stability and durability are maintained. Capacities from 5 to 100 kg (11.0 to 220.5 lb). Complete with 1m (3.3') of load cell cable.



LOC, Aluminum, Heavy Capacity Page 201



Low-profile, off-center loading load cell. Designed for direct mounting of a weighing platform and hanging scales. Long-term stability and durability are maintained. Capacities from 100 to 500 kg (220.5 to 1102.3 lb). Complete with 3.1m (10') of load cell cable.



Single Points (Continued)

HOC, Aluminum Page 202



The model HOC is a high-capacity single point made of aluminum. Direct mounting of low-profile platforms simplifies the construction of floor scales, weigh bars, and hanging scales. Capacities from 750 to 2000 kg (1653.7 to 4410.0 lb). Complete with 3.1m (10') of load cell cable.



Compression Canisters

LCD Compression Disk, Alloy Steel Page 203



Environmentally-protected low-profile compression disk. 5000 and 10,000 lb models can also be used in tension loading applications. Shear web design provides excellent performance, low-profile feature makes it ideal for applications where height is critical. Capacities from 5000 to 100,000 lb (2268.0 to 45,359.4 kg). Integral 50' (15.2m) cable.

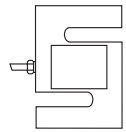


PSD, Compression Disk, Alloy Steel Page 204

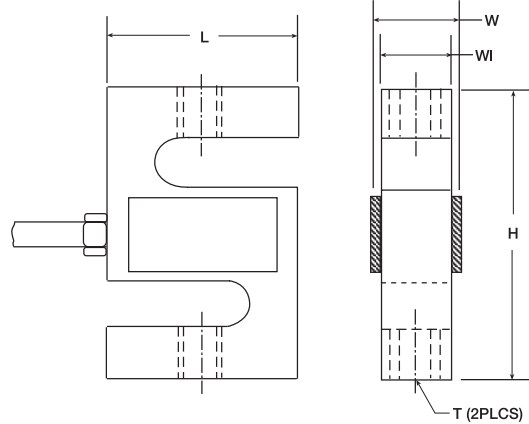


Environmentally-protected low-profile compression disk. 2500 kg and 5000 kg models can also be used in tension loading applications. Shear web design provides excellent performance, low-profile feature makes it ideal for applications where height is critical. Capacities from 2500 kg to 25,000 kg (5512 to 55,116 lb). Integral 15.2m (50 ft) cable.





STC Low-Capacity S-Beam, Alloy Steel, IP67



RATED CAPACITY	DIMENSIONS				
	H	L	T	W	W1
lb/inches 50-200	2.50	2.00	1/4-28 UNF	0.75	0.50
kg/millimeters 22.7-90.7	63.5	50.8	1/4-28 UNF	19.1	12.7

SPECIFICATIONS:

Full Scale Output:	3.0 mV/V (50 lb capacity, 2.0 mV/V)	Insulation Resistance:	2000 megohms
Bridge Resistance:	350 ohms, nominal	Seal Type:	Environmentally-sealed, IP67
Material/Finish:	High-alloy steel, nickel plated	Cable Length:	10'/3.1m
Temperature:	Compensated range 0°F to 150°F/-18°C to 65°C	Cable Color Code:	Red + Excitation Black - Excitation Green + Signal White - Signal
Safe Overload:	200% Full scale	Warranty:	1 year
Rated Excitation:	10V AC/DC (15V maximum)		
Nonlinearity:	0.03% Full scale		
Hysteresis:	0.02% Full scale		

STC ORDER INFORMATION

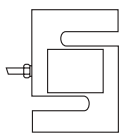
Load Rating	Part #	Suggested List Price
50 lb (22.7 kg)	30044	
100 lb (45.4 kg)	30045	
150 lb (68.0 kg)	30046	
200 lb (90.7 kg)	35787	

INTERCHANGEABLE PRODUCTS

Manufacturer	Model
Rice Lake Weighing Systems	(see page 102) RL20000
Revere Transducers	(see page 256) 9363
Sensortronics	(see page 296) 60036

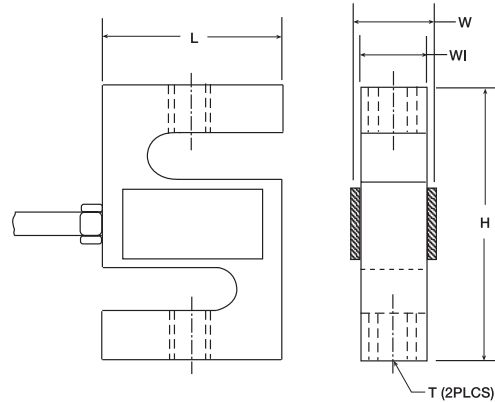
WEIGH MODULE AVAILABLE

Model	Page #
ITCM - Isolated Tension Cell Mount	360



STC S-Beam, Alloy Steel

NTEP 1:10,000 Class III L Single Cell, IP67



RATED CAPACITY	T	L	DIMENSIONS		
			W	W1	H
lb/inches					
250	3/8-24 UNF	2.00	.75	.50	3.00
500-1500	1/2-20 UNF	2.00	1.00	.75	3.00
2000-3000	1/2-20 UNF	2.00	1.25	1.00	3.00
5000	3/4-16 UNF	3.00	1.25	1.00	4.25
10,000	3/4-16 UNF	3.00	1.25	1.00	4.75
15,000	1-14 UNS	3.95	1.50	1.25	5.50
20,000	1 1/4-12 UNF	4.94	2.19	1.94	7.00
40,000	1 1/2-12 UNF	6.00	2.75	2.50	10.00
kg/millimeters					
113.4	3/8-24 UNF	50.8	19.1	12.7	76.2
226.8-907.2	1/2-20 UNF	50.8	25.4	19.1	76.2
1134.0-1360.8	3/4-16 UNF	50.8	31.8	25.4	76.2
2268.0	1/2-20 UNF	76.2	31.8	25.4	107.9
4535.9	1/2-20 UNF	88.9	31.8	25.4	107.9
6803.9	1-14 UNS	100.3	38.1	31.8	139.7
9071.9	1 1/4-12 UNF	125.5	55.7	49.3	177.8
18,144.0	1 1/2-12 UNF	152.4	69.9	63.5	254.0

SPECIFICATIONS:

Full Scale Output: 3.0 mV/V nominal	Insulation Resistance: 2000 megohms
Bridge Resistance: 350 ohms, nominal	Seal Type: Environmentally-sealed, IP67
Material/Finish: High-alloy steel, nickel plated	Cable Length: 20'±6.1m
Temperature: Compensated range 14°F to 104°F/-10°C to 40°C	Cable Color Code: Red + Excitation Black - Excitation Green + Signal White - Signal
Safe Overload: 150% Full scale	Warranty: 1 year
Rated Excitation: 10V AC/DC (15V maximum)	
Non-Repeatability: 0.01% Full scale	
Combined error: 0.02% Full scale	

STC ORDER INFORMATION

Load Rating	Part #	Suggested List Price
250 lb (113.4 kg)	30047	
500 lb (226.8 kg)	30051	
750 lb (340.2 kg)	30054	
1000 lb (453.6 kg)	30067	
1500 lb (680.4 kg)	30069	
2000 lb (907.2 kg)	30072	
2500 lb (1134.0 kg)	30073	
3000 lb (1360.8 kg)	30074	
5000 lb (2268.0 kg)	30076	
10,000 lb (4535.9 kg)	30077	
15,000 lb (6803.9 kg)	30078	
20,000 lb (9071.9 kg)	30079	
*40,000 lb (18,144.0 kg)	46674	

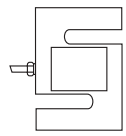
* Non-NTEP

INTERCHANGEABLE PRODUCTS

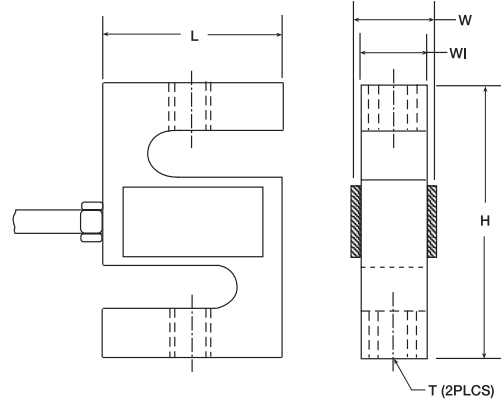
Manufacturer	Model
Rice Lake Weighing Systems	(see page 104) RL20001
Sensortronics	(see page 293) 60001

WEIGH MODULE AVAILABLE

Model	Page #
ITCM - Isolated Tension Cell Mount	360



STC SS S-Beam, Stainless Steel, IP67



RATED CAPACITY	DIMENSIONS				
	T	L	W	W1	H
lb/inches					
250	3/8-24 UNF	2.00	.75	.50	3.00
500-1500	1/2-20 UNF	2.00	1.00	.75	3.00
2000-3000	1/2-20 UNF	2.00	1.25	1.00	3.00
5000	3/4-16 UNF	3.00	1.25	1.00	4.25
10,000	3/4-16 UNF	3.50	1.25	1.00	4.25
kg/millimeters					
113.4	3/8-24 UNF	50.8	19.1	12.7	76.2
226.8-907.2	1/2-20 UNF	50.8	25.4	19.1	76.2
1134.0-1360.8	1/2-20 UNF	50.8	31.8	25.4	76.2
2268.0	3/4-16 UNF	76.2	31.8	25.4	107.9
4535.9	3/4-16 UNF	88.9	31.8	25.4	107.9

SPECIFICATIONS:

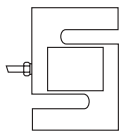
Full Scale Output:	3.0 mV/V nominal	Insulation Resistance:	2000 megohms
Bridge Resistance:	350 ohms, nominal	Seal Type:	Environmentally-sealed, IP67
Material/Finish:	Stainless steel	Cable Length:	20'/6.1m
Temperature:	Compensated range 0°F to 150°F/-18°C to 65°C	Cable Color Code:	Red + Excitation Black - Excitation Green + Signal White - Signal
Safe Overload:	150% Full scale	Warranty:	1 year
Rated Excitation:	10V AC/DC (15V maximum)		
Nonlinearity:	0.03% Full scale		
Hysteresis:	0.02% Full scale		

STC SS ORDER INFORMATION

Load Rating	Part #	Suggested List Price
250 lb (113.4 kg)	46659	
500 lb (226.8 kg)	46661	
750 lb (340.2 kg)	46662	
1000 lb (453.6 kg)	46663	
1500 lb (680.4 kg)	46664	
2000 lb (907.2 kg)	46665	
2500 lb (1134.0 kg)	46666	
3000 lb (1360.8 kg)	46667	
5000 lb (2268.0 kg)	46668	
10,000 lb (4535.9 kg)	46669	

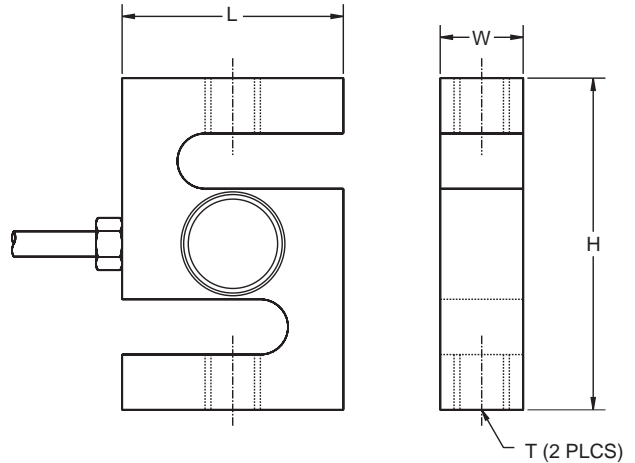
INTERCHANGEABLE PRODUCTS

Manufacturer	Model
Sensortronics	(see page 294) 60050



HTC SS S-Beam, Stainless Steel

Welded-seal, IP67



RATED CAPACITY

lb/inches
500-3000
5000-10,000

L

2.00
3.00

DIMENSIONS

W

1.00
1.00
25.4
25.4

H

2.97
4.25
75.4
107.9

T

1/2-20 UNF
3/4-16 UNF
1/2-20 UNF
3/4-16 UNF

kg/millimeters
226.8-1360.8
2268.0-4536.0

50.8
76.2

SPECIFICATIONS

Full Scale Output: 3.0 mV/V
 Bridge Resistance: 350 ohms, nominal
 Material/Finish: Stainless steel
 Temperature: Compensated range
 14°F to 104°F/-107°C to 40°C
 Safe Overload: 150% Full scale
 Rated Excitation: 10V AC/DC (15V maximum)
 Combined Error: 0.05%

Insulation Resistance: 5000 megohms
 Seal Type: Welded-seal, IP67
 Cable Length: 20'±6.1m
 Cable Color Code: Red + Excitation
 Black - Excitation
 Green + Signal
 White - Signal
 Warranty: 1 year

HTC ORDER INFORMATION

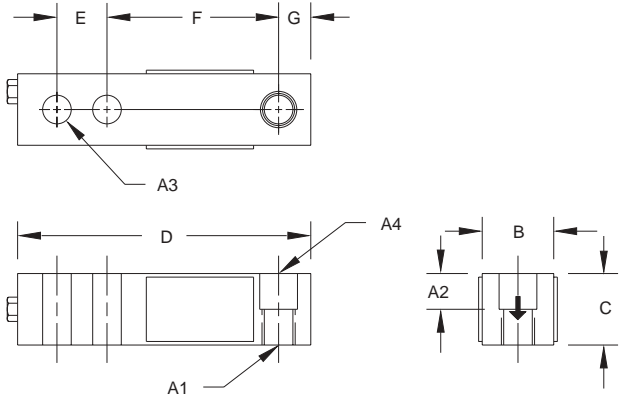
Load Rating	Part #	Suggested List Price
500 lb (226.8 kg)	69326	
750 lb (340.0 kg)	69327	
1000 lb (453.6 kg)	69328	
1500 lb (680.4 kg)	69329	
2000 lb (907.2 kg)	69330	
2500 lb (1134.0 kg)	69331	
3000 lb (1360.8 kg)	69332	
5000 lb (2268.0 kg)	69333	
10,000 lb (4536.0 kg)	69334	

WEIGH MODULE AVAILABLE

Model	Page #
ITCM - Isolated Tension Cell Mount	360

SQB Single-Ended Shear Beam, Alloy Steel

NTEP 1:5000 Class III Multiple Cell, IP67



RATED CAPACITY	DIMENSIONS										
	A1	A2	A3	A4	B	C	D	E	F	G	
lb/inches											
500	.53 DIA.	.50	.53	1/2-20 UNF-2B	1.25	1.00	5.12	1.00	3.00	.50	
1000-5000SE	.53 DIA.	.62	.53	1/2-20 UNF-2B	1.25	1.25	5.12	1.00	3.00	.50	
5000LE-10,000	.78 DIA.	.75	.78	3/4-16 UNF-2B	1.50	1.50	6.75	1.50	3.75	.75	
15,000-20,000	1.03 DIA.	1.00	1.03	1-14 UNF-2B	2.00	2.00	8.88	2.00	4.88	1.00	
kg/millimeters											
226.8	13.5 DIA.	12.7	13.5	1/2-20 UNF-2B	31.8	25.4	130.0	25.4	76.2	12.7	
453.6-2268.0SE	13.5 DIA.	15.8	13.5	1/2-20 UNF-2B	31.8	31.8	130.0	25.4	76.2	12.7	
2268.0LE-4535.9	19.8 DIA.	19.1	19.8	3/4-16 UNF-2B	38.1	38.1	171.5	38.1	95.3	19.1	
6803.9-9071.9	26.2 DIA.	25.4	26.2	1-14 UNF-2B	50.8	50.8	225.6	50.8	124.0	25.4	

SPECIFICATIONS:

Full Scale Output:	3.0 mV/V	Deflection at Capacity:	500-1000 lb = .013"/.3mm, 2000-3000 lb = .015"/.4mm, 4000-5000 lb = .025"/.6mm, 10,000 lb = .035"/.9mm
Bridge Resistance:	350 ohms, nominal	Seal Type:	Environmentally-sealed, IP67
Material/Finish:	High-alloy steel, nickel plated	Cable Length:	20'/6.1m
Temperature:	Compensated range 14°F to 104°F/-10°C to 40°C	Cable Color Code:	Red + Excitation Black - Excitation Green ... + Signal White - Signal
Safe Overload:	150% Full scale	Warranty:	1 year
Rated Excitation:	10V AC/DC (15V maximum)		
Combined Error:	0.02% Full scale		
Insulation Resistance:	2000 megohms		

SQB ORDER INFORMATION

Load Rating	Part #	Suggested List Price
NTEP 1:5000		
1000 lb (453.6 kg)	30106	
2000 lb (907.2 kg)	30109	
2500 lb (1134.0 kg)	30112	
3000 lb (1360.8 kg)	30113	
4000 lb (1814.4 kg)	30270	
5000 lb-SE (2268.0 kg)	30114	
5000 lb-LE (2268.0 kg)	30115	
10,000 lb (4535.9 kg)	30117	

Non-NTEP		
500 lb (226.8 kg)	30101	
15,000 lb (6803.9 kg)	30118	
20,000 lb (9071.9 kg)	30121	

SE refers to small envelope
LE refers to large envelope

INTERCHANGEABLE PRODUCTS

Manufacturer	Model
Rice Lake Weighing Systems (see page 112) RL35023
Sensortronics (see page 297) 65023

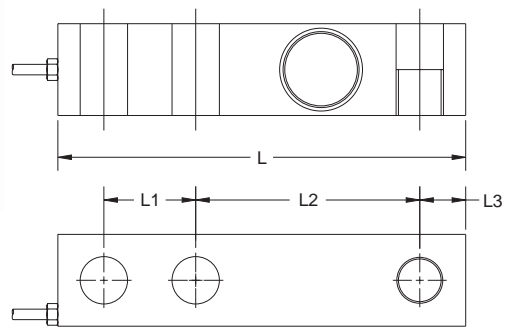
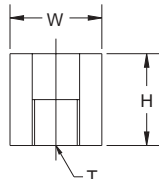
WEIGH MODULE AVAILABLE

Model	Page #
RL50210 TA 31
RL1800 Series 41



SQB HSS Single-Ended Shear Beam, Stainless Steel

Welded-Seal, IP67, NTEP 1:5000 Class III Multiple Cell



RATED CAPACITY

DIMENSIONS

	L	L1	L2	L3	W	H	D	T
lb/inches								
1000-5000 SE	5.12	1.00	3.00	.50	1.25	1.25	.53	1/2-20UNF
5000-10,000	6.75	1.50	3.75	.75	1.50	1.50	.78	3/4-16UNF
kg/millimeters								
453.6-2268.0	130.2	25.4	76.2	12.7	31.7	31.7	13.5	—
2268.0-4536.0	171.5	38.1	95.3	19.0	38.1	38.1	19.8	—

SPECIFICATIONS:

Full Scale Output:	3.0 mV/V	Insulation Resistance:	2000 megohms
Bridge Resistance:	350 ohms, nominal	Seal Type:	Welded-seal, IP67
Material/Finish:	Stainless Steel	Cable Length:	20'/6.1m
Temperature:	Compensated range 14°F to 104°F/-10°C to 40°C	Cable Color Code:	Red + Excitation Black - Excitation Green ... + Signal White - Signal
Safe Overload:	150% Full Scale	Warranty:	1 year
Rated Excitation:	10V AC/DC (15V maximum)		
Combined Error:	.02 Full scale		

SQB HSS ORDER INFORMATION

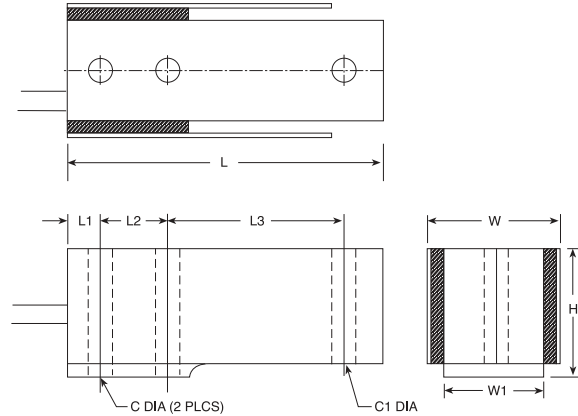
Load Rating	Part #	Suggested List Price
1000 lb (453.6 kg)	67118	
2000 lb (907.2 kg)	67119	
2500 lb (1134.0 kg)	67120	
3000 lb (1360.8 kg)	67121	
4000 lb (1814.4 kg)	67122	
5000 lb SE (2268.0 kg)	67123	
5000 lb (2268.0 kg)	67124	
10,000 lb (4535.9 kg)	67125	

SE refers to small envelope

WEIGH MODULE AVAILABLE

Model	Page #
RL1800 Series	41

MBB Single-Ended Beam, Alloy Steel



RATED CAPACITY	DIMENSIONS								
	C	C1	W	W1	H	L	L1	L2	L3
lb/inches									
50-150	0.172	0.172	0.70	0.50	1.00	2.38	0.25	0.50	1.31
250	0.172	0.172	1.00	0.75	1.00	2.38	0.25	0.50	1.31
kg/millimeters									
22.7-68.0	4.37	4.37	17.8	12.7	25.4	60.5	6.4	12.7	33.3
113.4	4.37	4.37	25.4	19.1	25.4	60.5	6.4	12.7	33.3

SPECIFICATIONS:

Full Scale Output: 3.0 mV/V
 Bridge Resistance: 350 ohms, nominal
 Material/Finish: High-alloy steel, nickel plated
 Temperature: Compensated range 0°F to 150°F/-18°C to 65°C
 Safe Overload: 200% Full scale
 Rated Excitation: 10V DC (15V maximum)
 Nonlinearity: 0.03% Full scale
 Hysteresis: 0.02% Full scale

Insulation Resistance: 2000 megohms
 Seal Type: Environmentally-sealed
 Cable Length: 3'/0.9m
 Cable Color Code: Red + Excitation
 Black - Excitation
 Green + Signal
 White - Signal
 Warranty: 1 year

MBB ORDER INFORMATION

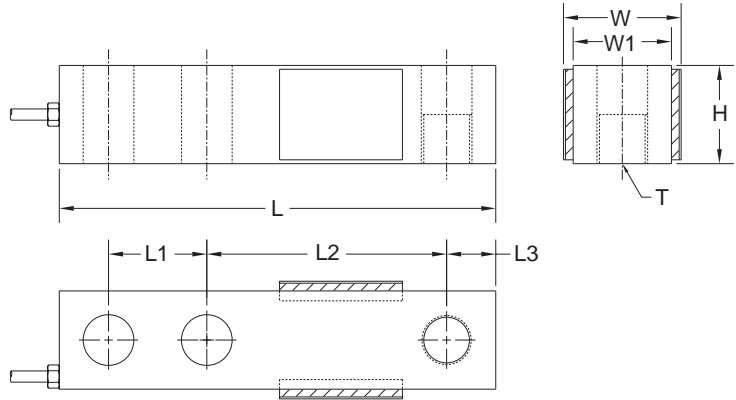
Load Rating	Part #	Suggested List Price
50 lb (22.7 kg)	30130	
100 lb (45.4 kg)	30131	
150 lb (68.0 kg)	30132	
250 lb (113.4 kg)	35786	

INTERCHANGEABLE PRODUCT INFORMATION

Manufacturer	Model
Sensortronics	(see page 304) 65007
Interface®	MB
Revere	CBU



SEB Single-Ended Beam, Alloy Steel, IP67



RATED CAPACITY	DIMENSIONS								
	L	L1	L2	L3	W	W1	H	D	T
kg-t/inches 500 kg-2.5t	5.12	1.00	3.00	.50	1.50	1.25	1.25	.53	1/2-20 UNF

SPECIFICATIONS

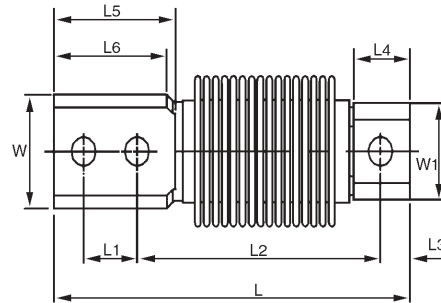
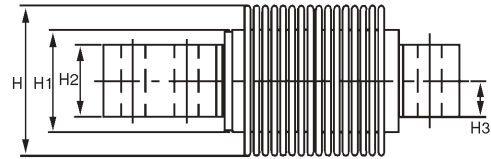
Full Scale Output:	3.0 mV/V	Insulation Resistance:	5000 megohms
Bridge Resistance:	350 ohms, nominal	Seal Type:	Environmentally-sealed, IP67
Material/Finish:	High-alloy steel, nickel plated	Cable Length:	20'/6.1m
Temperature:	Compensated range 14°F to 104°F/-10°C to 40°C	Cable Color Code:	Red + Excitation Black - Excitation Green + Signal White - Signal
Safe Overload:	150% Full scale	Warranty:	1 year
Rated Excitation:	10V AC/DC (15V maximum)		
Combined Error:	0.025%		

SEB ORDER INFORMATION

Load Rating	Part #	Suggested List Price
500 kg	69315	
1t	69316	
1.5t	69317	
2t	69318	
2.5t	69319	

HBB Single-Ended Beam, Stainless Steel

Welded-seal, IP67



RATED CAPACITY	DIMENSIONS												
	L	L1	L2	L3	L4	L5	L6	H	H1	H2	H3	W	W1
kg/millimeters													
10-250	120.0	18.0	82.0	10.0	19.0	41.0	38.0	41.6	28.2	20.0	10.0	31.5	26.6
lb/inches													
500-3000	4.72	.70	3.22	.39	.74	1.61	1.49	1.63	1.11	.78	.39	1.24	1.04

SPECIFICATIONS

Full Scale Output:	2.0 mV/V	Seal Type:	Welded-seal, IP67
Bridge Resistance:	350 ohms, nominal	Cable Length:	6.1m/20'
Material/Finish:	Stainless steel, nickel plated	Cable Color Code:	Red + Excitation Black - Excitation Green + Signal White - Signal Brown ... + Signal Yellow ... - Signal
Temperature:	Compensated range 14°F to 104°F/-107°C to 40°C	Warranty:	1 year
Safe Overload:	150% Full scale		
Rated Excitation:	10V AC/DC (15V maximum)		
Combined Error:	0.03%		
Insulation Resistance:	5000 megohms		

HBB ORDER INFORMATION

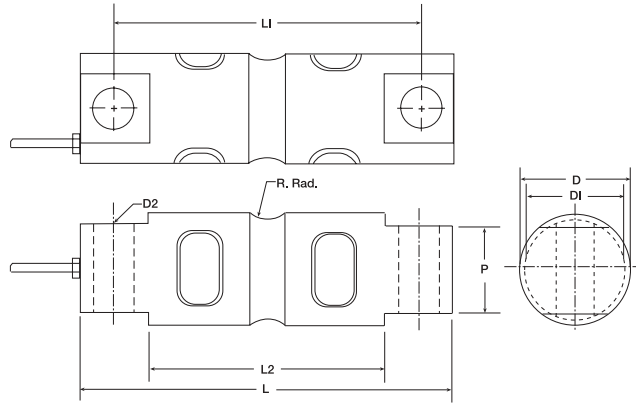
Load Rating	Part #	Suggested List Price
10 kg (22.0 lb)	69320	
20 kg (44.1 lb)	69321	
50 kg (110.2 lb)	69322	
100 kg (220.5 lb)	69323	
200 kg (441.0 lb)	69324	
250 kg (551.2 lb)	69325	

INTERCHANGEABLE PRODUCTS

Manufacturer	Model
Rice Lake	(see page 128) RLHBB
HBM	(see page 236) Z6
Revere Transducers	(see page 264) SHB
Tedea-Huntleigh	(see page 335) 355

CSB Double-Ended Shear Beam, Alloy Steel

NTEP 1:10,000 Class III L Multiple Cell, IP67



RATED CAPACITY	DIMENSIONS							
	L	L1	L2	D	D1	D2	P	R
lb/inches								
5000-20,000	8.12	6.88	5.24	1.83	1.61	.66	1.12	.50
30,000-60,000	10.25	8.50	6.49	3.20	2.93	1.06	2.37	1.00
100,000	11.25	9.50	7.49	3.75	3.24	1.06	2.50	1.00
150,000	11.25	9.50	7.49	3.90	3.64	1.06	2.80	1.50
kg/millimeters								
2268.0-9071.9	206.3	174.8	133.1	46.5	41.0	16.8	28.5	12.7
13,607.8-27,215.6	260.4	215.9	164.8	81.3	74.5	26.9	60.2	25.4
45,359.4	285.8	241.3	190.2	95.3	88.7	26.9	63.5	25.4
68,040.0	285.8	241.3	190.2	99.1	92.5	26.9	71.1	38.1

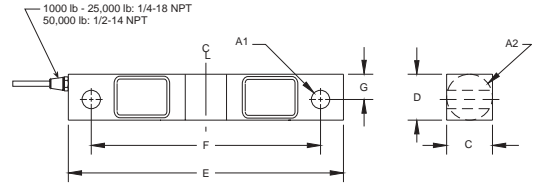
SPECIFICATIONS:

Full Scale Output:	3.0 mV/V	Insulation Resistance:	5000 megohms
Bridge Resistance:	700 ohms, nominal	Seal Type:	Environmentally-sealed, IP67
Material/Finish:	High-alloy steel, nickel plated	Cable Length:	30'/9.1m
Temperature:	Compensated range 14°F to 104°F/-10°C to 40°C	Cable Color Code:	Red + Excitation Black - Excitation Green ... + Signal White - Signal
Safe Overload:	150% Full scale	Warranty:	1 year
Rated Excitation:	10V AC/DC (15V maximum)		
Combined error:	0.25% Full scale		
Non-Repeatability:	0.02% Full scale		

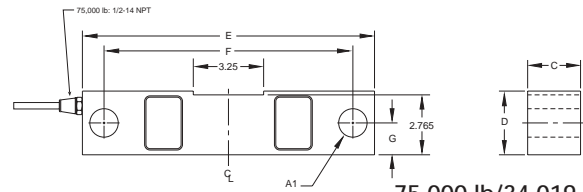
CSB ORDER INFORMATION

Load Rating	Part #	Suggested List Price
5000 lb (2268.0 kg)	42120	
10,000 lb (4536.0 kg)	42121	
20,000 lb (9072.0 kg)	42122	
30,000 lb (13,608.0 kg)	42123	
40,000 lb (18,144.0 kg)	42124	
50,000 lb (22,679.6 kg)	42125	
60,000 lb (27,216.0 kg)	42126	
100,000 lb (45,360.0 kg)	42127	
150,000 lb (68,040.0 kg)	46683	

DSR Double-Ended Shear Beam, Alloy Steel, IP67



1000-50,000 lb/ 453.6-22,679.6 kg



75,000 lb/34,019.5 kg

RATED CAPACITY	DIMENSIONS						
	A1	A2	C	D	E	F	G
lb/inches							
1000-5000	.50	1.25	1.25	1.25	7.50	6.25	.69
10,000-25,000	.81	1.99	1.44	1.94	8.75	7.50	.96
50,000	1.31	3.00	2.44	2.94	13.50	11.50	1.50
75,000	1.31	-	2.44	2.94	13.50	11.50	1.47
kg/millimeters							
453.6-2268.0	12.7	31.8	31.8	31.8	190.5	158.8	17.5
4535.9-11,339.8	20.6	50.8	36.6	49.3	222.3	190.5	24.4
22,679.7	33.3	76.2	62.0	74.7	342.9	292.1	38.1
34,019.5	33.3	-	62.0	74.7	342.9	292.1	37.3

SPECIFICATIONS:

Full Scale Output:	3.0 mV/V	Deflection at Capacity:	1000-3000 lb = .01"/.3mm, 5000 lb = .015"/.4mm, 10,000 - 20,000 lb = .022"/.6mm, 25,000 lb = .036"/.9mm, 50,000 lb = .052"/1.3mm, 75,000 lb = .07"/1.8mm
Bridge Resistance:	700 ohms, nominal	Seal Type:	Environmentally-sealed, IP67
Material/Finish:	High-alloy steel, nickel plated	Cable Length:	25'/7.6m
Temperature:	Compensated range 0°F to 150°F/-18°C to 65°C	Cable Color Code:	Red + Excitation Black - Excitation Green + Signal White - Signal
Safe Overload:	150% Full scale	Warranty:	1 year
Rated Excitation:	10V AC/DC (25V maximum)		
Nonlinearity:	0.03% Full scale		
Hysteresis:	0.02% Full scale		
Insulation Resistance:	2000 megohms		

DSR ORDER INFORMATION

Load Rating	Part #	Suggested List Price
1000 lb (453.6 kg)	30080	
1500 lb (680.4 kg)	30081	
2000 lb (907.2 kg)	30088	
2500 lb (1134.0 kg)	30089	
3000 lb (1360.8 kg)	30091	
5000 lb (2268.0 kg)	30094	
10,000 lb (4535.9 kg)	30095	
15,000 lb (6803.9 kg)	30096	
20,000 lb (9071.9 kg)	30097	
25,000 lb (11,339.8 kg)	30098	
50,000 lb (22,679.6 kg)	30099	
*75,000 lb (34,019.5 kg)	30100	

INTERCHANGEABLE PRODUCTS

Manufacturer	Model
Rice Lake Weighing Systems	(see page 139) RL75016
Sensortronics	(see page 317) 65016
Revere	5203

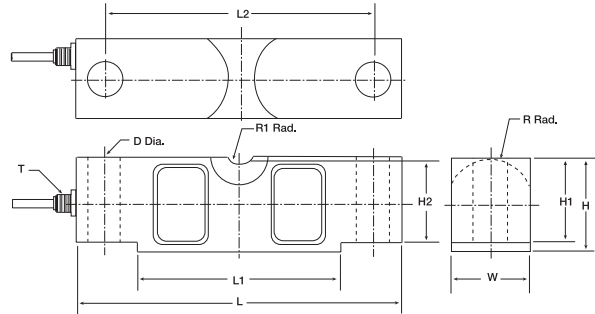
WEIGH MODULE AVAILABLE

Model	Page #
RL1600 Series	63 and 65

* 75,000 lb capacity has a square center

CLB Double-Ended Beam, Alloy Steel

NTEP 1:10,000 Class III L Multiple Cell, IP67



RATED CAPACITY	DIMENSIONS										
	L	L1	L2	W	H	H1	H2	D	R	R1	T
lb/inches											
20,000-25,000	7.75	4.99	6.50	1.69	1.94	1.70	1.63	.68	.90	.75	1/4-18NPT
40,000	10.25	6.39	8.50	1.94	2.44	2.10	2.00	.81	1.12	1.00	1/4-18NPT
50,000-75,000	10.25	6.39	8.50	2.44	2.94	2.65	2.54	1.06	1.37	1.00	1/2-14NPT
100,000-125,000	15.25	8.99	12.75	2.90	3.86	2.43	3.30	1.62	1.80	1.50	1/2-14NPT
kg/millimeters											
9072.0-11,340.0	196.9	126.7	165.1	42.9	49.3	43.2	41.4	17.3	22.9	19.1	1/4-18NPT
18,144.0	260.4	162.3	215.9	49.3	62.0	53.3	50.8	20.6	28.5	25.4	1/4-18NPT
22,680.0-34,020.0	260.4	162.3	215.9	62.0	74.7	67.3	64.5	26.9	34.8	25.4	1/2-14NPT
45,360.0-56,700.0	387.4	228.4	323.9	73.7	98.0	87.1	83.8	41.2	45.7	38.1	1/2-14NPT

SPECIFICATIONS:

Full Scale Output:	3.0 mV/V	Seal Type:	Environmentally-sealed, IP67
Bridge Resistance:	700 ohms, nominal	Cable Length:	25'/10.6m
Material/Finish:	High-alloy steel, nickel plated	Cable Color Code:	Red + Excitation Black - Excitation Green ... + Signal White - Signal
Temperature:	Compensated range 14°F to 104°F/-10°C to 40°C	Warranty:	1 year
Safe Overload:	150% Full scale		
Rated Excitation:	10V AC/DC (15V maximum)		
Combined Error:	0.025%		
Insulation Resistance:	5000 megohms		

CLB ORDER INFORMATION

Load Rating	Part #	Suggested List Price
20,000 lb (9071.9 kg)	46675	
25,000 lb (11,339.8 kg)	46676	
40,000 lb (18,144.0 kg)	46677	
50,000 lb (22,679.6 kg)	46678	
60,000 lb (27,216.0 kg)	46679	
75,000 lb (34,019.5 kg)	46680	
100,000 lb (45,360.0 kg)	46681	
125,000 lb (56,700.0 kg)	46682	

INTERCHANGEABLE PRODUCTS

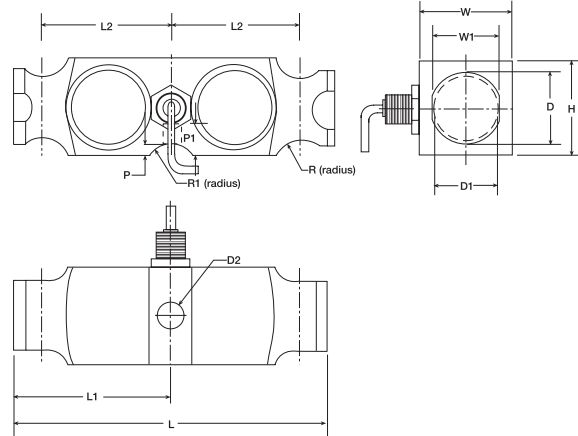
Manufacturer	Model
Rice Lake Weighing Systems	(see page 142) RL75058
Sensortronics	(see page 320) 65068
Tedea	(see page 336) 4158

WEIGH MODULE AVAILABLE

Model	Page #
2100HE	21
MVS	73
TSA	75

HED Double-Ended Beam, Alloy Steel

Welded-seal, IP67, NTEP 1:10,000 Class III L Multiple Cell



RATED CAPACITY	DIMENSIONS												
	L	L1	L2	W	W1	H	D	D1	P	P1	R	R1	T
lb/inches													
50,000-100,000	10.25	5.13	4.25	3.00	2.20	3.00	2.40	2.06	.28	.96	1.00	1.00	1/2-14NPT
kg/millimeters													
22,680.0-45,360.0	260.4	130.2	107.9	76.2	55.9	76.2	61.0	52.3	7.1	24.4	25.4	25.4	1/2-14NPT

SPECIFICATIONS:

Full Scale Output:	3.0 mV/V	Combined Error:	0.025% Full Scale
Bridge Resistance:	700 ohms, nominal	Insulation Resistance:	5000 Ohms
Material/Finish:	High-alloy steel, nickel plated	Deflection at Cap:	<0.4 mm
Temperature:	Operating range -4°F to 140°F/-20°C to 60°C Compensated range 14°F to 104°F/-10°C to 40°C	Seal Type:	Welded-seal, IP67
Safe Overload:	150% Full scale	Cable Length:	50'/15.2m
Rated Excitation:	10V AC/DC (20V maximum)	Cable Color Code:	Red + Excitation Black - Excitation Green + Signal White - Signal
Non-Repeatability:	0.02% Full Scal	Warranty:	1 year

HED ORDER INFORMATION

Load Rating	Part #	Suggested List Price
50,000 lb (22,679.6 kg)	46691	
65,000 lb (29,484.0 kg)	46692	
100,000 lb (45,360.0 kg)	46693	

INTERCHANGEABLE PRODUCTS

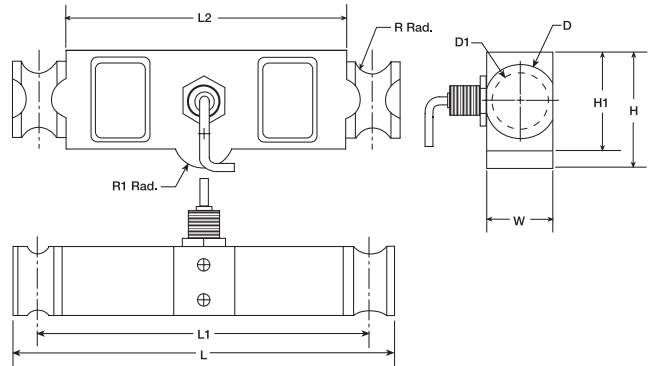
Manufacturer	Model
Rice Lake Weighing Systems	(see page 144) RL75223
Revere Transducers	(see page 268) 5223
Thurman	TSC 800

WEIGH MODULE AVAILABLE

Model	Page #
Translink	83

DLB Double-Ended Beam, Alloy Steel

NTEP 1:10,000 Class III L Multiple Cell, IP67



RATED CAPACITY	DIMENSIONS									
	L	L1	L2	W	H	H1	D	D1	R	R1
lb/inches										
25,000-40,000	8.25	7.25	6.25	1.94	2.97	2.44	2.00	1.63	.50	.50
50,000-75,000	11.50	10.00	8.50	1.94	3.47	2.94	2.20	1.70	.75	1.00
100,000-125,000	14.50	12.50	10.5	2.90	4.68	3.86	3.20	2.44	1.00	1.50
kg/millimeters										
11,339.8-18,144.0	209.6	184.2	158.8	49.3	75.5	62.0	50.8	41.4	12.7	12.7
22,679.6-34,019.5	292.1	254.0	215.9	49.3	88.2	74.7	55.9	43.2	19.1	25.4
45,360.0-56,700.0	368.3	317.5	266.7	73.7	118.9	98.0	81.3	62.0	25.4	38.1

SPECIFICATIONS:

Full Scale Output: 3.0 mV/V
Bridge Resistance: 700 ohms, nominal
Material/Finish: High-alloy steel, nickel plated
Temperature: Operating range -4°F to 140°F/-20°C to 60°C
 Compensated range 14°F to 104°F/-10°C to 40°C
Safe Overload: 150% Full scale
Rated Excitation: 10V AC/DC (15V maximum)
Combined Error: 0.025% Full Scale

Insulation Resistance: 5000 megohms
Seal Type: Environmentally-sealed, IP67
Cable Length: 25'7.6m
Cable Color Code: Red + Excitation
 Black - Excitation
 Green + Signal
 White - Signal
Warranty: 1 year

DLB ORDER INFORMATION

Load Rating	Part #	Suggested List Price
25,000 lb (11,339.8 kg)	46684	
40,000 lb (18,144.0 kg)	46685	
50,000 lb (22,679.6 kg)	46686	
60,000 lb (27,216.0 kg)	46687	
75,000 lb (34,019.5 kg)	46688	
100,000 lb (45,360.0 kg)	46689	
125,000 lb (56,700.0 kg)	46690	

INTERCHANGEABLE PRODUCTS

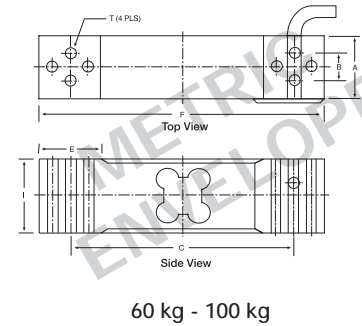
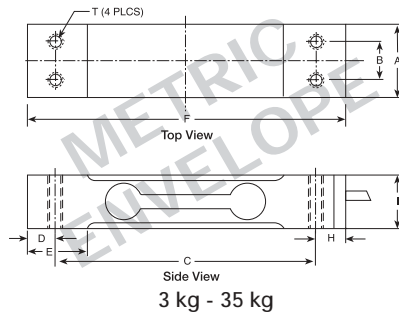
Manufacturer	Model
Rice Lake Weighing Systems	(see page 145) RL75040
Sensortronics	(see page 323) 65040A
Thurman	TSC 840

WEIGH MODULE AVAILABLE

Model	Page #
Translink	83

LPS Single Point, Aluminum

NTEP 1:5000 Class III Single Cell



RATED CAPACITY

kg/millimeters
 3
 6-20
 30-35
 60-100

DIMENSIONS									
A	B	C	D	E	F	H	I	T	
15.0	7.0	58.0	6.0	12.0	70.0	6.0	22.0	M3 THRU	
30.0	15.0	106.0	12.0	25.0	130.0	12.0	22.0	M6 THRU	
40.0	15.0	106.0	12.0	25.0	130.0	12.0	22.0	M6 THRU	
35.0	15.0	117.0	N/A	33.0	150.0	N/A	40.0	M6 THRU	

lb/inches

6.6
 13.2-44.1
 66.2-77.2
 132.3-220.5

0.59	0.28	2.28	0.24	0.47	2.76	0.24	0.87	M3 THRU	
1.18	0.59	4.17	0.47	0.98	5.12	0.47	0.87	M6 THRU	
1.57	0.59	4.17	0.47	0.98	5.12	0.47	0.87	M6 THRU	
1.38	0.59	4.61	N/A	1.30	5.91	N/A	1.57	M6 THRU	

SPECIFICATIONS:

Full Scale Output: 2.0 mV/V
 Bridge Resistance: 350 ohms, nominal
 Material/Finish: Aluminum
 Temperature: Compensated range
 14°F to 104°F/-10°C to 40°C
 Safe Overload: 150% Full scale
 Rated Excitation: 10V AC/DC (15V maximum)
 Combined Error: 0.25% Full scale
 Non-Repeatability: 0.02%

Insulation Resistance: 2000 megohms
 Seal Type: Environmentally-sealed
 Cable Length: 450mm/17.8"
 Cable Color Code: Red + Excitation
 Blue - Excitation
 Green + Signal
 White - Signal
 Warranty: 1 year

LPS ORDER INFORMATION

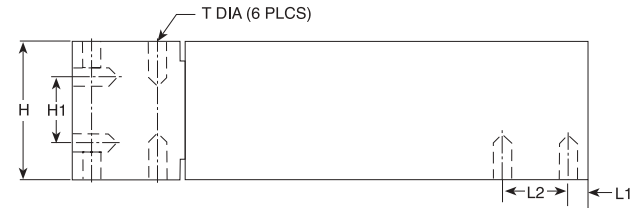
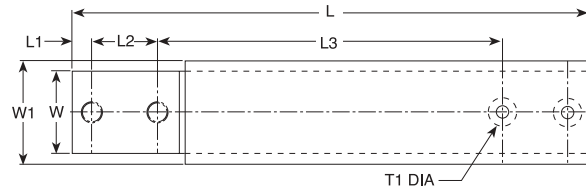
Load Rating	Part #	Suggested List Price
NTEP 1:5000		
3 kg (6.6 lb)	41822	
6 kg (13.2 lb)	41823	
10 kg (22.0 lb)	41824	
15 kg (33.1 lb)	41825	
20 kg (44.1 lb)	41826	
Non-NTEP		
3 kg (6.6 lb)	30143	
10 kg (22.0 lb)	30145	
15 kg (33.1 lb)	30146	
20 kg (44.1 lb)	30147	
30 kg (66.2 lb)	46502	
35 kg (77.2 lb)	30148	
60 kg (132.3 lb)	41149	
100 kg (220.5 lb)	41150	

INTERCHANGEABLE PRODUCT INFORMATION

Manufacturer	Model
Rice Lake Weighing Systems	(see page 150) RL1521
BLH®	C2G1
Fairbanks®	4900 Series Checkweighers
NMB®	C2G1
Tedea-Huntleigh	(see page 337) 1022

BLH is a registered trademark of BLH Electronics
 Fairbanks is a registered trademark of Fairbanks Scales
 NMB is a registered trademark of NMB Technologies Inc.

LOC Single Point, Aluminum NTEP 1:5000 Class III Single Cell



RATED CAPACITY	DIMENSIONS									
	H	H1	L	L1	L2	L3	T	T1	W	W1
kg/millimeters 5-100	40.0	19.0	150.0	6.0	19.0	100.0	1/4-20 UNC	1/4-28 UNF	30.0	25.0
lb/inches 11.0-220.5	1.57	.75	5.91	.24	.75	3.94	1/4-20 UNC	1/4-28 UNF	1.18	1.00

SPECIFICATIONS:

Full Scale Output: 2.0 mV/V
Bridge Resistance: 350 ohms, nominal
Material/Finish: Aluminum
Temperature: Compensated range
 14°F to 104°F/-10°C to 40°C
Safe Overload: 150% Full scale
Rated Excitation: 10V AC/DC (15V maximum)
Combined Error: 0.25% Full scale

Non-repeatability: 0.02%
Insulation Resistance: 2000 megohms
Seal Type: Environmentally-sealed
Cable Length: 1m/3.3'
Cable Color Code: Red + Excitation
 Black - Excitation
 Green + Signal
 White - Signal
Warranty: 1 year

LOC ORDER INFORMATION

Load Rating	Part #	Suggested List Price
NTEP 1:5000		
5 kg (11 lb)	39810	
7 kg (15.4 lb)	39809	
10 kg (22.0 lb)	39808	
15 kg (33.1 lb)	39807	
20 kg (44.1 lb)	39806	
30 kg (66.1 lb)	39805	
50 kg (110.2 lb)	39804	
100 kg (220.5 lb)	39803	

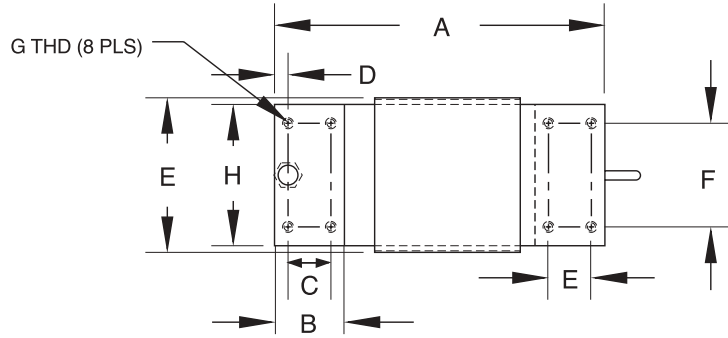
Non-NTEP		
5 kg (11 lb)	30134	
7 kg (15.4 lb)	30135	
10 kg (22.0 lb)	30136	
15 kg (33.1 lb)	30137	
20 kg (44.1 lb)	30138	
30 kg (66.1 lb)	30139	
50 kg (110.2 lb)	30140	
100 kg (220.5 lb)	30141	

INTERCHANGEABLE PRODUCTS

Manufacturer	Model
Rice Lake Weighing Systems	(see page 155) RL1040
Tedea-Huntleigh	(see page 341) 1040

LOC Single Point, Aluminum, Heavy Capacity

NTEP 1:5000 Class III Single Cell



RATED CAPACITY

kg/millimeters
100 - 500

A 191.0

B -

C 25.0

DIMENSIONS

D 11.0

E 82.0

F 60.0

G 5/16-18UNC X 20 DP

H 75.0

lb/inches

220.5 -1102.5

A 7.52

B -

C .98

D .31

E 3.23

F 2.36

G 5/16-18UNC X 0.59 DP

H 2.95

SPECIFICATIONS:

Full Scale Output: 2.0 mV/V
 Bridge Resistance: 350 ohms, nominal
 Material/Finish: Aluminum
 Temperature: Compensated temperature range
 14°F to 104°F/-10°C to 40°C
 Safe Overload: 150% Full scale
 Rated Excitation: 10V DC (15V maximum)
 Combined Error: 0.025% Full scale
 Non-Repeatability: 0.02%

Insulation Resistance: 5000 megohms
 Seal Type: Environmentally-sealed
 Cable Length: 1m/3.3' (100 kg)
 2m/6.6' (150-500 kg & 100 -500 kg)
 Cable Color Code: Green ... + Excitation
 Black - Excitation
 Blue + Sense
 Brown ... - Sense
 Red + Signal
 White - Signal
 Warranty: 1 year

LOC ORDER INFORMATION

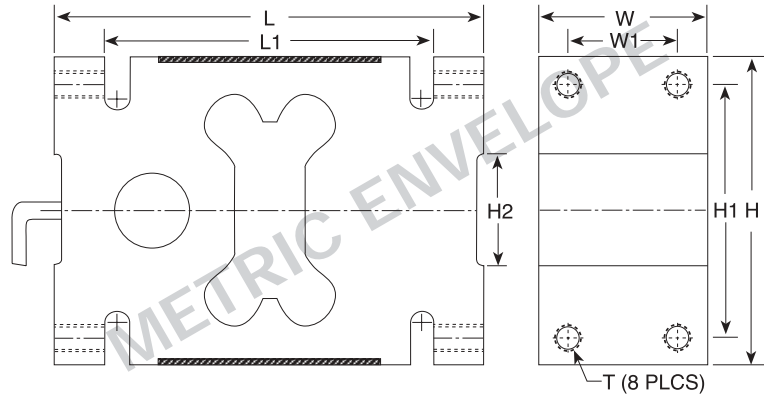
Load Rating	Part #	Suggested List Price
100 kg (220.5 lb)	39797	
150 kg (330.7 lb)	39796	
250 kg (551.2 lb)	39795	
300 kg (661.4 lb)	39794	
500 kg (1102.3 lb)	39793	

INTERCHANGEABLE PRODUCTS

Manufacturer	Model
Rice Lake Weighing Systems	(see page 160) RL1250
Tedea-Huntleigh	(see page 347) 1250
Revere	(see page 382) 652
Flintec	(see page 248) PCB*

* Stainless steel, Hermetically-sealed

HOC Single Point, Aluminum



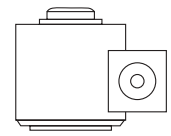
RATED CAPACITY	DIMENSIONS							
	H	H1	H2	L	L1	T	W	W1
kg/millimeters								
750-2000	126.0	95.0	45.0	176.0	135.0	M16X2-6H	76.0	46.0
lb/inches								
1653.8-4409.2	4.96	3.74	1.77	6.93	5.31	M16X2-6H	2.99	1.81

SPECIFICATIONS:

Full Scale Output:	2.0 mV/V	Seal Type:	Environmentally-sealed, potted
Bridge Resistance:	350 ohms, nominal	Cable Length:	6m/19.7'
Material/Finish:	Anodized aluminum	Cable Color Code:	Green ... + Excitation Black - Excitation Blue + Sense Brown ... - Sense Red + Signal White - Signal
Temperature:	Compensated range 0°F to 150°F/-18°C to 65°C	Warranty:	1 year
Safe Overload:	150% Full scale		
Rated Excitation:	10V AC/DC (15V maximum)		
Total Error:	0.02% Full scale		
Insulation Resistance:	5000 megohms		

HOC ORDER INFORMATION		
Load Rating	Part #	Suggested List Price
750 kg (1653.8 lb)	42117	
1000 kg (2205.0 lb)	42118	
2000 kg (4410.0 lb)	42119	

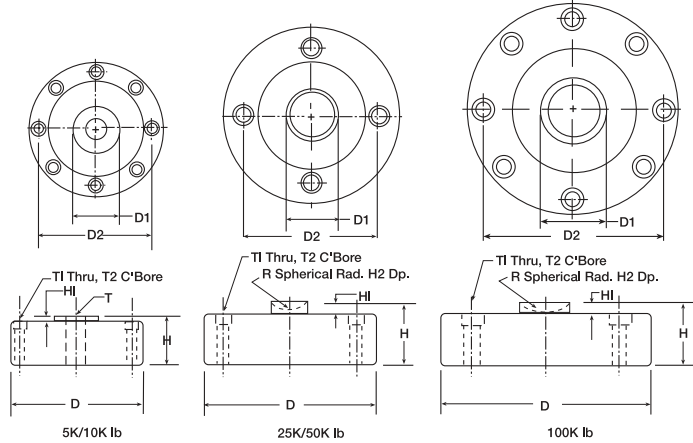
INTERCHANGEABLE PRODUCTS	
Manufacturer	Model
Tedea-Huntleigh	(see page 348) 1320



LCD Compression* Disk, Alloy Steel



25,000 lb model shown. Load cup sold separately on 5,000 and 10,000 lb models.



RATED CAPACITY	DIMENSIONS									
	T	R	D	D2	H	H1	H2	T1	T2	
lb/inches										
5,000-10,000	5/8-18 UNF-3B	—	4.12	3.50	1.37	.12	—	.28	.406 x .283 DP	
25,000-50,000	—	.875	4.75	4.00	2.12	.50	.30	.34	.508 x .38 DP	
100,000	—	.875	5.50	4.60	2.25	.25	.30	.41	.626 x .4 DP	
kg/millimeters										
2268.0*-4539.9*	5/8-18 UNF-3B	—	104.6	34.8	34.8	3.05	7.6	7.2	10.3 x 7.2 DP	
11,339.8-22,679.7	—	22.2	120.7	101.6	53.8	12.7	12.7	8.7	12.9 x 9.7 DP	
45,359.4	—	22.2	139.7	116.8	57.2	6.4	7.6	10.3	10.3 x 10.2 DP	

SPECIFICATIONS:

Full Scale Output: 4.0 mV/V
 Bridge Resistance: 350 ohms (100,000lb=700 ohms), nominal
 Material/Finish: High-alloy steel, nickel plated
 Temperature: Compensated range 0°F to 150°F/-18°C to 65°C
 Safe Overload: 150% Full scale
 Rated Excitation: 15V DC (25V maximum)
 Nonlinearity: 0.05% Full scale

Hysteresis: 0.02% Full scale
 Insulation Resistance: 2000 megohms
 Seal Type: Environmentally-sealed
 Cable Length: 50'/15.2m
 Cable Color Code: Red + Excitation
 Black - Excitation
 Green ... + Signal
 White - Signal
 Warranty: 1 year

LCD ORDER INFORMATION

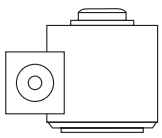
Load Rating	Part #	Suggested List Price
*5000 lb (2268.0 kg)	41966	
*10,000 lb (4535.9 kg)	41967	
25,000 lb (11,339.8 kg)	41968	
50,000 lb (22,679.7 kg)	41969	
100,000 lb (45,359.4 kg)	41970	

*Load Cup 33616

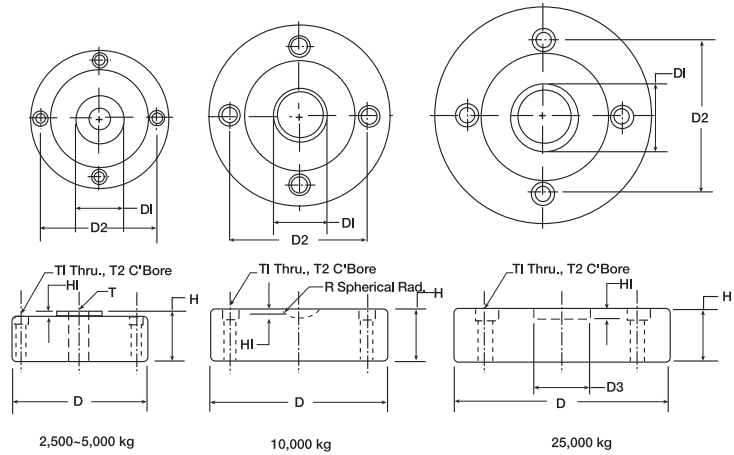
* 5000 lb and 10,000 lb models can be used in compression and tension load applications. Load cup, Part #33616, is required for compression applications.

INTERCHANGEABLE PRODUCTS

Manufacturer	Model
Rice Lake	(see page 149) RL90000
Interface®	1121



PSD Compression* Disk, Alloy Steel OIML, C3



RATED CAPACITY

kg/millimeters
2500-5,000
10,000
25,000

	T	R	D	DIMENSIONS						
				D1	D2	D3	H	H1	T1	T2
2500-5,000	M16 x 1.5	—	104.7	32.0	88.9	—	34.8	3.05	7.2	10.5 X 7.2DP
10,000	—	22.2	138.0	38.9	106.4	—	41.1	7.62	8.7	13.5 X 9.7DP
25,000	—	—	165.0	50.4	116.8	42.0	41.1	8.0	10.3	0.63 X 0.40DP

SPECIFICATIONS:

Full Scale Output:	3.0 mV/V	Hysteresis:	0.02% Full scale
Bridge Resistance:	350 ohms, nominal	Insulation Resistance:	2000 megohms
Material/Finish:	High-alloy steel, nickel plated	Seal Type:	Environmentally-sealed
Temperature:	Compensated range 0°F to 150°F/-18°C to 65°C	Cable Length:	15.2m/50'
Safe Overload:	150% Full scale	Cable Color Code:	Red + Excitation Black - Excitation Green ... + Signal White - Signal
Rated Excitation:	10V DC (15V maximum)	Warranty:	2 years
Nonlinearity	0.05% Full scale		

PSD ORDER INFORMATION

Load Rating	Part #	Suggested List Price
2500 kg* (5512 lb)	46670	
5000 kg* (11,023 lb)	46671	
10,000 kg (22,046 lb)	46672	
25,000 kg (55,116 lb)	46673	

* 2500 kg and 5000 kg models can be used in compression and tension load applications.